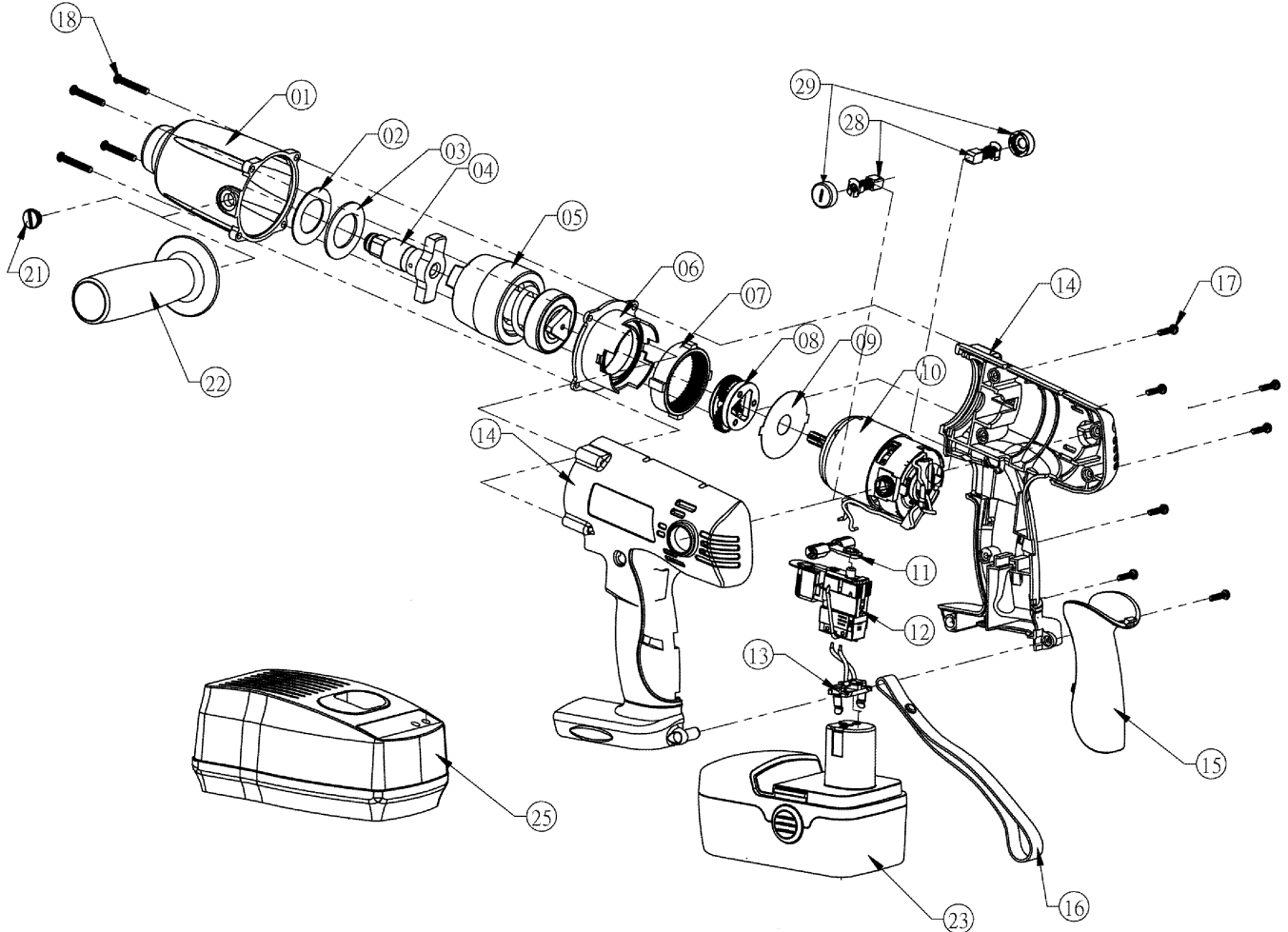


## CORDLESS IMPACT WRENCH 19.2V SUPER TORQUE

Version: 2  
Date Issued: 251005



ITEM	PART No.	DESCRIPTION
1	CP3001.V2-01	FRONT COVER ASSY
2	CP3001.V2-02	RUBBER WASHER
3	CP3001.V2-03	WASHER A
4	CP3001.V2-04	FRONT IMPACT ASSY
5	CP3001.V2-05	REAR IMPACT ASSY
6	CP3001.V2-06	GEAR RING HOLDER
7	CP3001.V2-07	GEAR RING
8	CP3001.V2-08	PLANETARY GEARS
9	CP3003.09	WASHER
10	CP3003.10	MOTOR ASS'Y
11	CP3001.V2-11	FORWARD REVERSE ROD
12	CP3001/14	SWITCH
13	CP3001.V2-13	BATTERY CONNECTOR ASS'Y
14	CP3003.14	MAIN HOUSING (L+R)

ITEM	PART No.	DESCRIPTION
15	CP3001.V2-15	SOFT GRIP
16	CP3001.V2-16	BELT
17	CP3001.V2-17	HOUSING SCREW
18	CP3001.V2-18	FRONT COVER SCREW
21	CP3001.V2-22	SIDE HANDLE SCREW
22	CP3001.V2-23	SIDE HANDLE (Optional)
23	CP3003BP	CORDLESS BATTERY PACK 19.2V
25	CP3003CP	BATTERY CHARGER
28	CP3003.28	CARBON BRUSHES (2pc)
29	CP3003.29	CARBON BRUSH COVER

(CP3001/C-IV IN-VEHICLE CHARGER Not Shown)

**NOTE:** It is our policy to continually improve products and as such we reserve the right to alter data, specifications and component parts without prior notice.