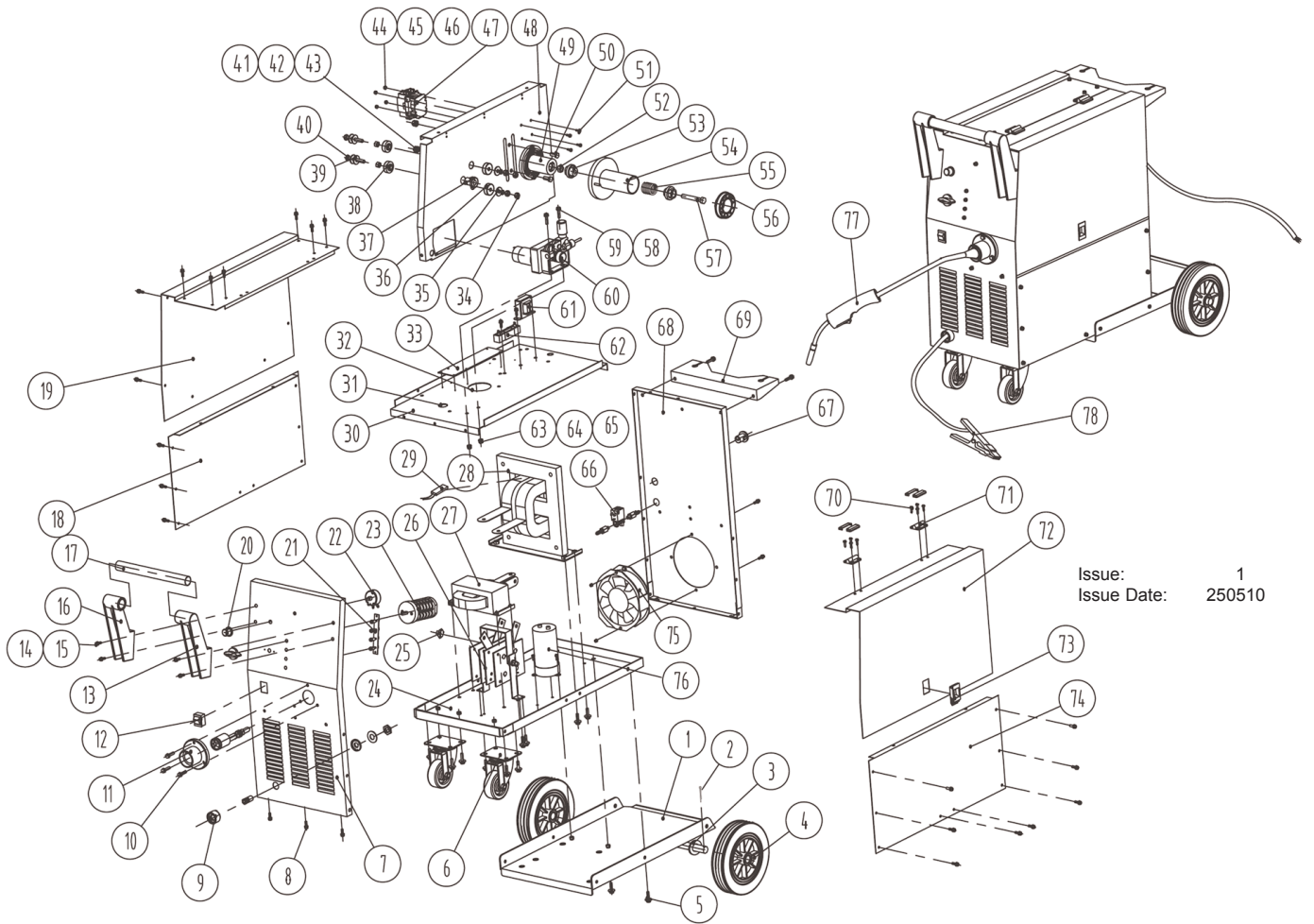


PARTS FOR:
PROFESSIONAL GAS / NO-GAS MIG WELDER
250Amp WITH EURO TORCH
MODEL: MIGHTYMIG250



Issue: 1
 Issue Date: 250510

ITEM	PART NO	DESCRIPTION	ITEM	PART NO	DESCRIPTION	ITEM	PART NO	DESCRIPTION
1	M/MIG250.01	BOTTOM PANEL	27	M/MIG250.27	REACTOR	53	M/MIG250.53	PLASTIC KNOB
2	M/MIG250.02	COTTER PIN	28	M/MIG250.28	MAIN TRANSFORMER	54	M/MIG250.54	SPOOL HOLDER
3	M/MIG250.03	WASHER	29	M/MIG250.29	THERMOSTAT	55	M/MIG250.55	SPRING
4	M/MIG250.04	WHEEL	30	M/MIG250.30	MIDDLE PANEL	56	M/MIG250.56	RETAINER
5	M/MIG250.05	BOLT (M8x16)	31	M/MIG250.31	RUBBER RING	57	M/MIG250.57	BOLT M10x80
6	M/MIG250.06	CASTOR WHEEL	32	M/MIG250.32	RUBBER RING	58	M/MIG250.58	BOLT M6x25
7	M/MIG250.07	FRONT PANEL	33	M/MIG250.33	CIRCUIT BOARD	59	M/MIG250.59	INSULATION WASHER
8	M/MIG250.08	BOLT (M5x12)	34	M/MIG250.34	NUT M8	60	M/MIG250.60	WIRE FEED MOTOR
9	M/MIG250.09	DINSE SOCKET	35	M/MIG250.35	WASHER	61	M/MIG250.61	CONTROL TRANSFORMER
10	M/MIG250.10	BOLT (M6x25)	36	M/MIG250.36	INSULATING WASHER	62	M/MIG250.62	RESISTANCE
11	M/MIG250.11	TORCH HOLDER	37	M/MIG250.37	CABLE TIP	63	M/MIG250.63	SPRING WASHER
12	M/MIG250.12	ON/OFF SWITCH	38	M/MIG250.38	INSULATING WASHER	64	M/MIG250.64	WASHER
13	M/MIG250.13	HANDLE SUPPORT (RIGHT)	39	M/MIG250.39	WASHER	65	M/MIG250.65	NUT M6
14	M/MIG250.14	SCREW (M5x25)	40	M/MIG250.40	BOLT M8x55	66	M/MIG250.66	VALVE ASSEMBLY
15	M/MIG250.15	WASHER	41	M/MIG250.41	SPRING WASHER	67	M/MIG250.67	CABLE GRIP
16	M/MIG250.16	HANDLE SUPPORT (LEFT)	42	M/MIG250.42	WASHER	68	M/MIG250.68	BACK PANEL
17	M/MIG250.17	HANDLE	43	M/MIG250.43	NUT M8	69	M/MIG250.69	GAS BOTTLE SUPPORT
18	M/MIG250.18	LOWER PANEL, LEFT SIDE	44	M/MIG250.44	SPRING WASHER	70	M/MIG250.70	SCREW M4x8
19	M/MIG250.19	UPPER PANEL, LEFT SIDE	45	M/MIG250.45	WASHER	71	M/MIG250.71	HINGE
20	M/MIG250.20	SPEED CONTROL KNOB	46	M/MIG250.46	NUT M4	72	M/MIG250.72	UPPER PANEL, RIGHT SIDE
21	M/MIG250.21	INDICATOR	47	M/MIG250.47	CONTACTOR	73	M/MIG250.73	LATCH
22	M/MIG250.22	RESISTANCE	48	M/MIG250.48	MIDDLE PARTITION PANEL	74	M/MIG250.74	LOWER PANEL, RIGHT SIDE
23	M/MIG250.23	VOLTAGE CONTROL SWITCH	49	M/MIG250.49	AXLE	75	M/MIG250.75	FAN
24	M/MIG250.24	BASE FRAME	50	M/MIG250.50	BOLT (M8x25)	76	M/MIG250.76	CAPACITOR
25	M/MIG250.25	THERMOSTAT	51	M/MIG250.51	SCREW M4x16	77	M/MIG250.77	TORCH
26	M/MIG250.26	RECTIFIER	52	M/MIG250.52	NUT M10	78	M/MIG250.78	CLAMP WITH CABLE

NOTE: It is our policy to continually improve products and as such we reserve the right to alter data, specifications and component parts without prior notice.

IMPORTANT: No liability is accepted for incorrect use of product.

WARRANTY: Guarantee is 12 months from purchase date, proof of which will be required for any claim.

INFORMATION: For a copy of our latest catalogue and promotions call us on 01284 757525 and leave your full name and address, including postcode.