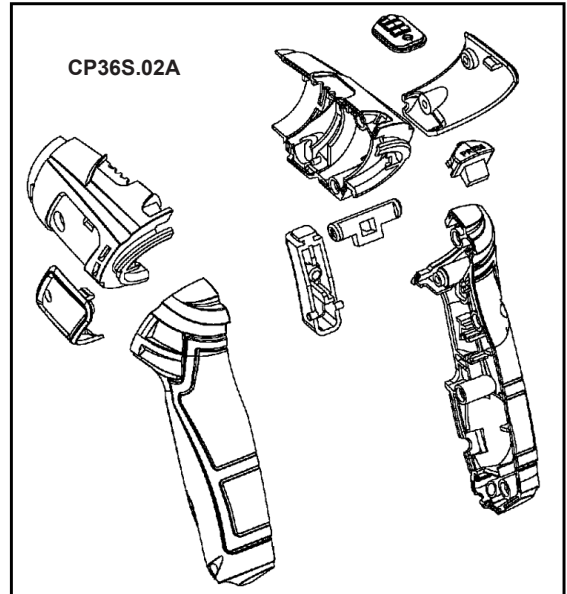


Issue: 1  
 Issue Date: 040310



ITEM	PART NO	DESCRIPTION	ITEM	PART NO	DESCRIPTION
1	CP36S.01	GEARBOX ASS'Y	14	CP36S.14	LIGHT SWITCH
	CP36S.02A	CASING ASS'Y	15	CP36S.15	SWITCH SPRING
4	CP36S.04	LED BATTERY INDICATOR	16	CP36S.16	BATTERY PROTECTION
7	CP36S.07	LOCK BUTTON SPRING	17	CP36S.17	BOARD FOR SWITCH
11	CP36S.11	BATTERY	18	CP36S.18	CHARGING SOCKET
12	CP36S.12	CHARGING INDICATOR	--	CP36S.MC	MAINS CHARGER (not shown)
13	CP36S.13	BULB			

## ACCESSORIES (NOT SHOWN)

PART NO	DESCRIPTION	PART NO	DESCRIPTION
CP36S.ACC1	SLOTTED BIT 3mm	CP36S.ACC23	TRX-STAR BIT T20
CP36S.ACC2	SLOTTED BIT 4mm	CP36S.ACC24	TRX-STAR BIT T25
CP36S.ACC3	SLOTTED BIT 5mm	CP36S.ACC25	TRX-STAR BIT T27
CP36S.ACC4	SLOTTED BIT 6mm	CP36S.ACC26	TRX-STAR BIT T30
CP36S.ACC5	SLOTTED BIT 7mm	CP36S.ACC27	TRX-STAR BIT T40
CP36S.ACC6	PHILLIPS BIT #0	CP36S.ACC28	TRX-STAR BIT T45
CP36S.ACC7	PHILLIPS BIT #1	CP36S.ACC29	SOCKET ADAPTOR
CP36S.ACC8	PHILLIPS BIT #2	CP36S.ACC30	SLOTTED BIT 4 X 50mmL
CP36S.ACC9	PHILLIPS BIT #3	CP36S.ACC31	SLOTTED BIT 6 X 50mmL
CP36S.ACC10	POZI BIT #0	CP36S.ACC32	PHILLIPS BIT #0 x 50mmL
CP36S.ACC11	POZI BIT #1	CP36S.ACC33	PHILLIPS BIT #2 x 50mmL
CP36S.ACC12	POZI BIT #2	CP36S.ACC34	SOCKET 6mm
CP36S.ACC13	POZI BIT #3	CP36S.ACC35	SOCKET 7mm
CP36S.ACC14	HEX BIT 2mm	CP36S.ACC36	SOCKET 8mm
CP36S.ACC15	HEX BIT 2.5mm	CP36S.ACC37	SOCKET 9mm
CP36S.ACC16	HEX BIT 3mm	CP36S.ACC38	SOCKET 10mm
CP36S.ACC17	HEX BIT 3.5mm	CP36S.ACC39	SOCKET 11mm
CP36S.ACC18	HEX BIT 4mm	CP36S.ACC40	SOCKET 12mm
CP36S.ACC19	HEX BIT 5mm	CP36S.ACC41	SOCKET 13mm
CP36S.ACC20	HEX BIT 6mm	CP36S.ACC42	MAGNETIC BIT HOLDER
CP36S.ACC21	TRX-STAR BIT T10	CP36S.ACC43	DRILL BIT 1.5mm
CP36S.ACC22	TRX-STAR BIT T15	CP36S.ACC44	DRILL BIT 3mm

**NOTE:** It is our policy to continually improve products and as such we reserve the right to alter data, specifications and component parts without prior notice.

**IMPORTANT:** No liability is accepted for incorrect use of product.

**WARRANTY:** Guarantee is 12 months from purchase date, proof of which will be required for any claim.

**INFORMATION:** For a copy of our latest catalogue and promotions call us on 01284 757525 and leave your full name and address, including postcode.