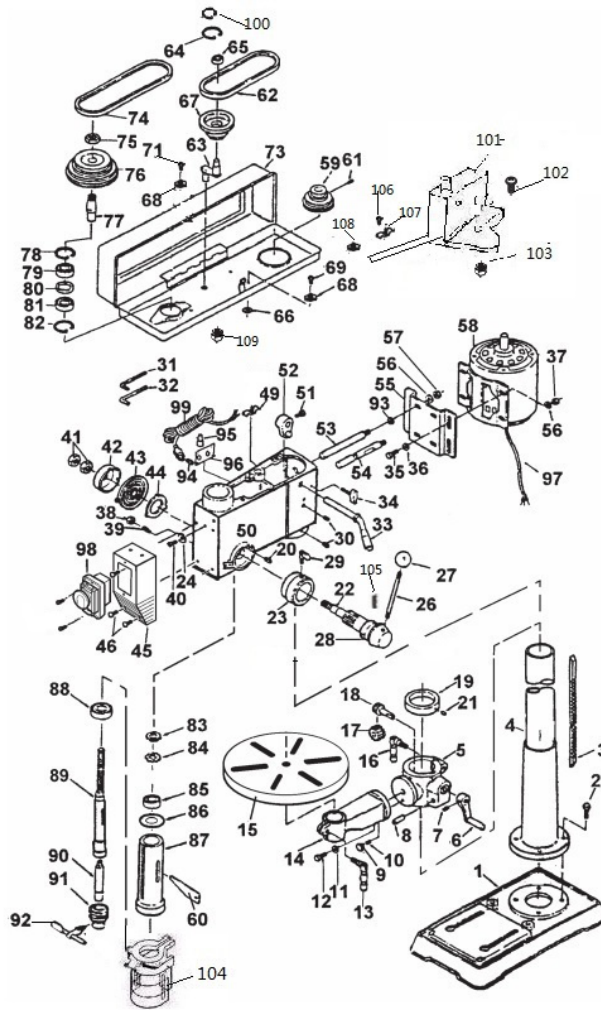




Parts Information:
Pillar Drill Bench 16-Speed 960mm Height
550W/230V
Model No: GDM120B.V2



NOTE: It is our policy to continually improve products and as such we reserve the right to alter data, specifications and component parts without prior notice.

IMPORTANT: No liability is accepted for incorrect use of product.

WARRANTY: Guarantee is 12 months from purchase date, proof of which will be required for any claim.

Sealey Group, Kempson Way, Suffolk Business Park, Bury St Edmunds, Suffolk. IP32 7AR



01284 757500



01284 703534



sales@sealey.co.uk



www.sealey.co.uk



Parts Information:
**Pillar Drill Bench 16-Speed 960mm Height
550W/230V
Model No: GDM120B.V2**

Item	Part No.	Description
1	GDM160FX/001	BASE
2	SS1040.S	HEX HEAD SET SCREW M10x40mm SINGLE
3	GDM120BX/003	RACK
4	GDM120BX/004	COLUMN
5	GDM160FX/005	TABLE BRACKET
6	GDM92B/12	HANDLE
7	GDM92B/13	GRUB SCREW M6X10
8	GDM92B/11	SHAFT
9	GDM92B/80	PIN
10	SN6.S	STEEL NUT M6 ZINC DIN934 (SINGLE)
11	FWM10.S	FLAT WASHER M10 SINGLE
12	SCB1230.SB	SOCKET CAP BOLT BLACK M12X30
13	GDM92B/15A	TABLE BOLT
14	GDM160FX/014	TABLE ARM
15	GDM160FX/015	TABLE
16	GDM160FX/016	CLAMP BOLT
17	GDM200FX/017	GEAR 14T 31.9MM DIA X 18.2MM THICK
18	GDM200FX/018	WORM GEAR
19	GDM160FX/019	RACK RING
20	GDM160FX/020	SPRING PIN M6.4 X 20
21	GSM610.S	GRUB SCREW M6x10 (SINGLE)
22	GDM160FX/022	FEED SHAFT
23	GDM160FX/023	SCALE RING
24	GDM160FX/024	WASHER
26	GDM200FX/026	HANDLE
27	GDM92B/33	KNOB

Item	Part No.	Description
28	GDM160FX/028	ROLL PIN
29	GDM92B/29	CLAMP BOLT
30	GDM160FX/030	SET SCREW
31	GDM92B/37	HEX.KEY
32	GDM92B/38	HEX.KEY
33	GDM200FX/033	SHIFTER BAR
34	GDM160FX/034	SLIDE BAR BOLT
35	SS830.S	HEX HEAD SET SCREW M8x30mm SINGLE
36	GDM92B/56	WASHER
37	SN8.S	STEEL NUT M8 ZINC DIN934 (SINGLE)
38	SN10.S	STEEL NUT M10 ZINC DIN934(SINGLE)
39	GDM160FX/039	SET SCREW
40	MSP510.S	MACHINE SCREW PAN HEAD PHILLIPS M5x10mm
41	GDM92B/47	M12 X 1.5 FINE PITCH HALF NUT
42	GDM160FX/042	SPRING CAP
43	GDM160FX/043	TORSION SPRING
44	GDM160FX/044	SPRING COVER
45	GDM160FX/045	SWITCH BOX
46	SCB1230.SB	SOCKET CAP BOLT BLACK M12X30
--	GDM92B/49	SCREW 6 X 1/2" AB PAN SELF TAP SUPADRIE (NOT SHOWN)
--	MSP410.S	MACHINE SCREW PAN HEAD PHILLIPS M4x10mm (NOT SHOWN)
49	GDM92B/51	WIRE CLAMP
50	GDM160FX/050	BODY

NOTE: It is our policy to continually improve products and as such we reserve the right to alter data, specifications and component parts without prior notice.

IMPORTANT: No liability is accepted for incorrect use of product.

WARRANTY: Guarantee is 12 months from purchase date, proof of which will be required for any claim.

Sealey Group, Kempson Way, Suffolk Business Park, Bury St Edmunds, Suffolk. IP32 7AR



01284 757500



01284 703534



sales@sealey.co.uk



www.sealey.co.uk



Parts Information:
**Pillar Drill Bench 16-Speed 960mm Height
550W/230V
Model No: GDM120B.V2**

Item	Part No.	Description
51	SS815.S	HEX HEAD SET SCREW M8x15mm SINGLE
52	GDM160FX/052	SHIFTER
53	GDM160FX/053	SLIDE BAR
54	GDM160FX/054	SLIDE BAR
55	GDM200FX/055	MOTOR BASE
56	GDM92B/56	WASHER
57	SN8.S	STEEL NUT M8 ZINC DIN934 (SINGLE)
58	GDM200FX/058	MOTOR
59	GDM160FX/059	MOTOR PULLEY
60	GDM92B/79	WEDGE
61	GDM92B/60	HEADLESS SET SCREW
62	V/M22	V-BELT (ID-560) M22
63	GDM160FX/063	CENTRE SHAFT
64	GDM160FX/064	CIRCLIP
65	B/6202-2RS	BEARING 6202-2RS
66	GDM160FX/066	RUBBER WASHER
67	GDM160FX/067	CENTRE PULLEY
68	FWM6.S	FLAT WASHER M6 SINGLE
69	MSP612.S	MACHINE SCREW PAN HEAD PHILLIPS M6x12mm
--	GDM50BX/017	PHILLIPS BOLT M5X12 (NOT SHOWN)
71	FWM5.S	FLAT WASHER M5 SINGLE
73	GDM160FX/073	PULLEY COVER
74	V/M24	V-BELT (ID-600) M24
75	GDM160FX/075	HALF NUT
76	GDM160FX/076	SPINDLE PULLEY
77	GDM160FX/077	PULLEY INSERT
78	GDM160FX/078	CIRCLIP
79	B/6203-2RS	BEARING 6203-2RS
80	GDM160FX/080	SPACER
81	B/6203-2RS	BEARING 6203-2RS

Item	Part No.	Description
82	GDM160FX/082	CIRCLIP
83	GDM160FX/083	NUT M18x1.25
84	GDM200FX/084	WASHER WITH 11 TABS
85	B/6201-2RS	BEARING 6201-2RS
86	GDM160FX/086	RUBBER WASHER
87	GDM160FX/087	SPINDLE SLEEVE
88	B/6204ZZ	BEARING 6204ZZ
89	GDM160FX/089	SPINDLE
90	GDM92B/21	ARBOR
91	GDM92B/20	CHUCK B16 3-16mm
92	GDM92B/44	CHUCK KEY
93	GDM160FX/093	WASHER
94	MSP512.S	MACHINE SCREW PAN HEAD PHILLIPS M5x12mm
95	GDM160FX/095	WIRE CONNECTOR
96	GDM160FX/096	COVER
97	GDM160FX/097	WIRE
98	GDM92B/50	SWITCH (FRONT MOUNT WITH EMERGENCY STOP)
--	GDM160FX/099	PLUG (NOT SHOWN)
100	GDM160FX.100	CIRCLIP
101	GDM160FX.101	MICRO SWITCH ASSEMBLY
102	GDM160FX.102	PHILLIPS BOLT M6x12
103	GDM160FX.103	NUT
104	DPG99	DRILL PRESS GUARD 60mm
105	GDM160FX.105	ROLL PIN
106	MSP612.S	MACHINE SCREW PAN HEAD PHILLIPS M6x12mm
107	GDM160FX.107	WIRE CLAMP
108	GDM160FX.108	CABLE SLEEVE
109	GDM160FX.109	NUT

NOTE: It is our policy to continually improve products and as such we reserve the right to alter data, specifications and component parts without prior notice.

IMPORTANT: No liability is accepted for incorrect use of product.

WARRANTY: Guarantee is 12 months from purchase date, proof of which will be required for any claim.

Sealey Group, Kempson Way, Suffolk Business Park, Bury St Edmunds, Suffolk. IP32 7AR



01284 757500



01284 703534



sales@sealey.co.uk



www.sealey.co.uk