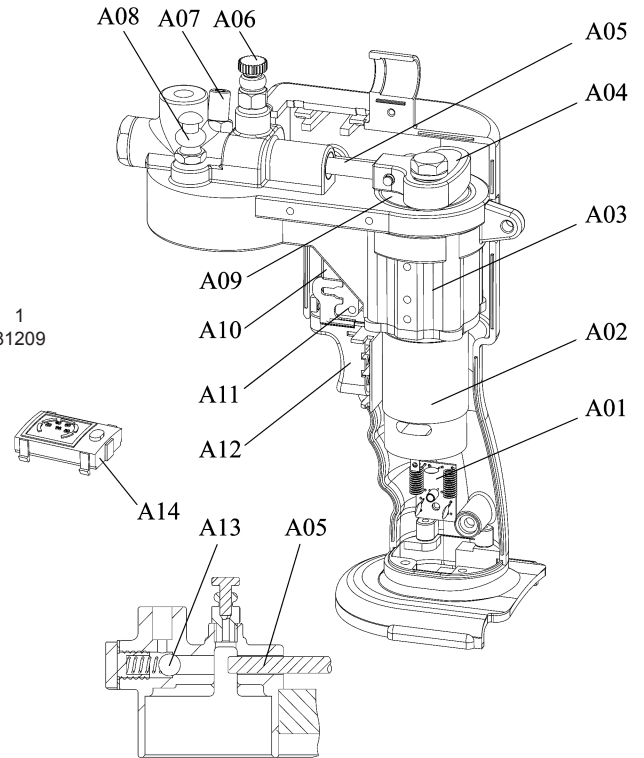


Issue: 1
 Issue Date: 081209



ITEM	PART NO	DESCRIPTION
1	CPG18VBP	BATTERY 18V
2	CPG12V.V2-02	HANDLE ASSEMBLY
3	CPG12V.V2-03	FLEXIBLE HOSE
4	CPG12V.V2-04	SELF-LOCKING TRIGGER
5	CPG12V.V2-05	COUPLER
6	CPG12V.V2-06	RELIEF VALVE
7	CPG12V.V2-07	PACKING
8	CPG12V.V2-08	RUBBER SEAL BOWL
9	CPG12V.V2-09	BATTERY FIXED DEVICE
10	CPG12V.V2-10	GREASE TUBE ASSEMBLY
11	CPG12V.V2-11	BATTERY CHARGER (not shown)
--	CPG18V.ICA	IN CAR ADAPTOR (not shown)
--	CPG12V.V2.WB	GREASE TUBE WARMER (not shown)
A01	CPG12V.V2-A01	INTERFERENCE BLANKER

ITEM	PART NO	DESCRIPTION
A02	CPG18V.A02	MOTOR KIT (18V)
A03	CPG12V.V2-A03	GEARBOX ASSEMBLY KIT
A04	CPG12V.V2-A04	YOKE BLOCK
A05	CPG12V.V2-A05	PLUNGER
A06	CPG12V.V2-A06	GREASE RELEASE VALVE
A07	CPG12V.V2-A07	FILLER NIPPLE
A08	CPG12V.V2-A08	VENT VALVE
A09	CPG12V.V2-A09	INSIDE YOKE BLOCK
A10	CPG12V.V2-A10	RESETTABLE FUSE
A11	CPG12V.V2-A11	MICRO SWITCH
A12	CPG12V.V2-A12	TRIGGER
A13	CPG12V.V2-A13	CHECK VALVE KIT
A14	CPG18V.A14	BATTERY CAPACITY DISPLAY
--	CPG12V.V2-A15	"D" SHAPE GEAR FOR MOTOR (not shown)

NOTE: It is our policy to continually improve products and as such we reserve the right to alter data, specifications and component parts without prior notice.

IMPORTANT: No liability is accepted for incorrect use of product.

WARRANTY: Guarantee is 12 months from purchase date, proof of which will be required for any claim.

INFORMATION: For a copy of our latest catalogue and promotions call us on 01284 757525 and leave your full name and address, including postcode.