



COLLAPSIBLE FOLD UP PVC GARDEN/ HYDROPONICS WATER BUTT 100LTR

MODEL NO: **DG8**

Thank you for purchasing a Dellonda product. Manufactured to a high standard, this product will, if used according to these instructions, and properly maintained, give you years of trouble free performance.

IMPORTANT: PLEASE READ THESE INSTRUCTIONS CAREFULLY. NOTE THE SAFE OPERATIONAL REQUIREMENTS, WARNINGS & CAUTIONS. USE THE PRODUCT CORRECTLY AND WITH CARE FOR THE PURPOSE FOR WHICH IT IS INTENDED. FAILURE TO DO SO MAY CAUSE DAMAGE AND/OR PERSONAL INJURY AND WILL INVALIDATE THE WARRANTY. KEEP THESE INSTRUCTIONS SAFE FOR FUTURE USE.



Refer to instruction manual

1. SAFETY

- ✓ Regularly inspect the water butt and it's fittings for damage or wear. If necessary, immediately repair or replace damaged parts.
- ✓ Place water butt on level and solid ground, preferably concrete to ensure it is well balanced and unlikely to topple.
- ✗ **DO NOT** modify water butt in any way. **DO NOT** use the water butt for any other purpose other than that for which it was designed.
- **WARNING!** The warnings, cautions and instructions referred to in this manual cannot cover all possible conditions and situations that may occur. It must be understood that common sense and caution are factors which cannot be built into this product, but must be applied by the operator.

2. INTRODUCTION

100L Capacity water barrel for collecting rain water from a rooftop gutter. Durable corrosion and UV resistant PVC cover. Includes five standing poles, fitted with adjustable feet to provide good stability. Effortless installation with no tools needed. Zipped lid fitted at the top to keep the water clean after collection. Installed with an overflow pipe which can accommodate a hose to direct the overflow. Will fold flat into a compact size when not in use making it cost effective for both shipping and storage. Easier to transport, the collapsible water butt will also fit into spaces and through doorways that rigid designs will not. Water tank is fitted with a drain tap, thread filter, 3/4" ABS outlet valve, 1/2" thread insert, thread plug and overflow/inlet fitting and can provide water to areas that would otherwise have to be serviced by a hose pipe. Overall tank size: Ø40 x 78cm. Lid collection filter: Ø75mm.

3. SPECIFICATION

Model no:**DG8**
 Capacity..... 100ltr max.
 Size (Dia x Height).....40cm x 78cm
 Material.....Corrosion resistant PVC

4. CONTENTS

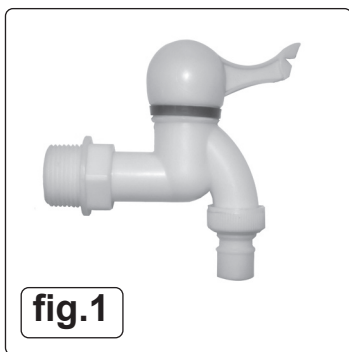


fig.1

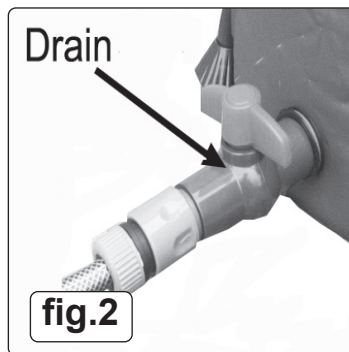


fig.2



fig.3



fig.4



fig.5



fig.6

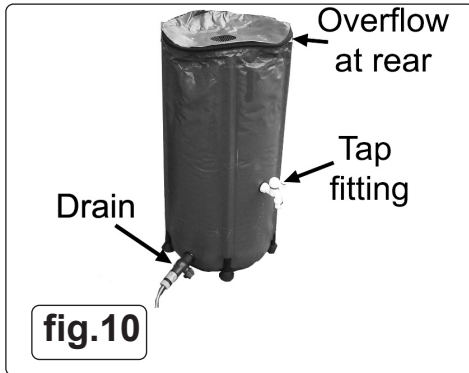
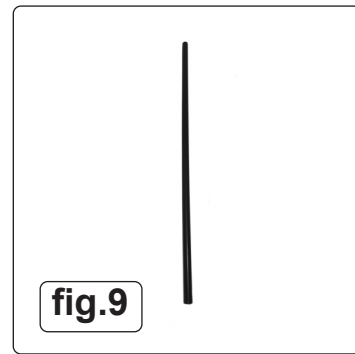
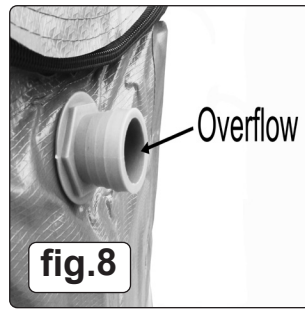


Fig. no.	Description	Quantity
1	Tap	1
2	Drain	1
3	Rubber washer	7
4	Foot	5
5	Hose connector	1
6	Drain filter	1
7	Internal filter	3
8	Overflow	1
9	Leg support	5

5. ASSEMBLY

5.1. LOWER DRAIN

- 5.1.1. Screw hose connector (fig.5) into drain body (fig.2)
- 5.1.2. Screw drain filter (fig.6) into other end of drain body with the filter section innermost and use a rubber washer (fig.3) between mating faces.
- 5.1.3. Pass drain filter male threaded section (fig.6) through lower hole into butt and secure in place using an internal filter (fig.7). Use rubber washers (fig.3) either side of the butt wall to ensure a leak proof seal.

5.2. TAP FITTING

- 5.2.1. Pass male threaded spigot of tap (fig.1) through butt side wall hole and secure in place using an internal filter (fig.7). Use rubber washers (fig.3) either side of the butt wall to ensure a leak proof seal.

5.3. OVERFLOW

- 5.3.1. Pass male threaded spigot of overflow (fig.8) through butt side wall hole and secure in place using an internal filter (fig.7). Use rubber washers (3) either side of the butt wall to ensure a leak proof seal.

5.4. SUPPORTS

- 5.5. Push feet (fig.4) onto tubular legs (fig.9) and slide into pockets on the outside of water butt from the bottom up. Ensure full length engagement.

6. OPERATION

- 6.1. If required, fit hose onto the overflow fitting (fig.8) and direct output as required (hose not supplied).
- 6.2. Once a suitable location for the butt is determined pour a small amount of water into it in order to stabilise it.

7. MAINTENANCE

- 7.1. Dry thoroughly before storing for any period of time.
- 7.2. Check fittings and materials regularly for any leaks or damage.
- 7.3. Store in frost free environment.



ENVIRONMENT PROTECTION

Recycle unwanted materials instead of disposing of them as waste. All tools, accessories and packaging should be sorted, taken to a recycling centre and disposed of in a manner which is compatible with the environment. When the product becomes completely unserviceable and requires disposal, drain any fluids (if applicable) into approved containers and dispose of the product and fluids according to local regulations.

Note: It is our policy to continually improve products and as such we reserve the right to alter data, specifications and component parts without prior notice.

Important: No Liability is accepted for incorrect use of this product.

Warranty: Guarantee is 12 months from purchase date, proof of which is required for any claim.

Dellonda, Kempson Way, Suffolk Business Park, Bury St Edmunds, Suffolk. IP32 7AR



01284 757575



sales@dellonda.co.uk



www.dellonda.co.uk