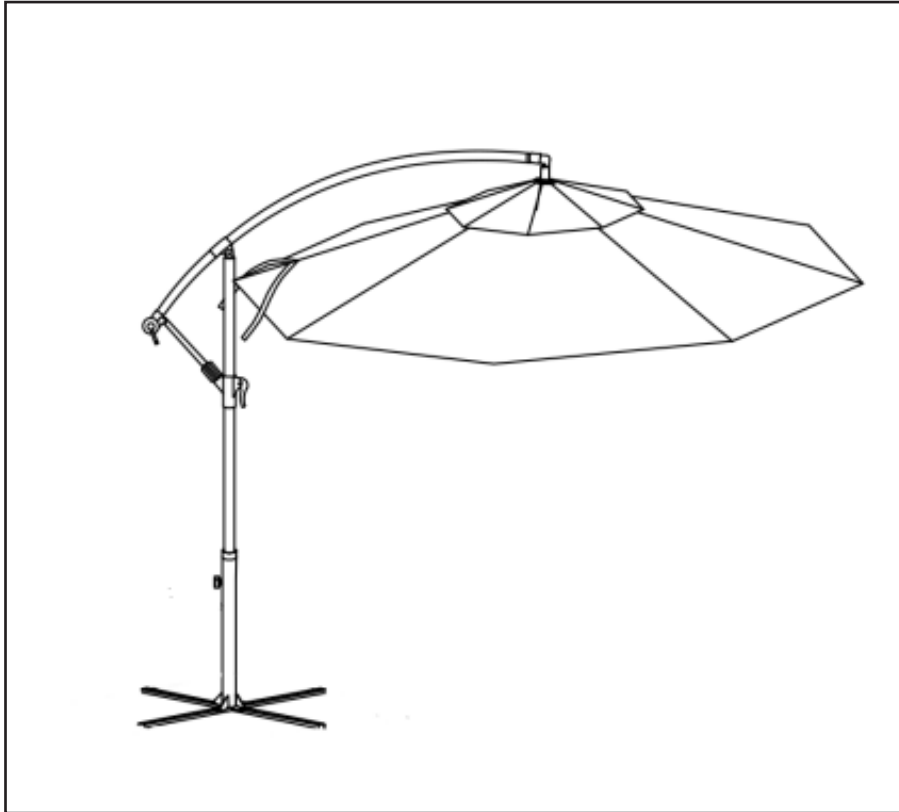




**Dellonda Ø3m Banana Parasol/Umbrella
with Cover, Crank Handle**



Model No's. DG264, DG265

Thank you for purchasing a Dellonda product. Manufactured to a high standard, this product will, if used according to these instructions, and properly maintained, give you years of trouble free performance.

Important Information

Please read these instructions carefully. Note the safe operational requirements, warnings & cautions. Use the product correctly and with care for the purpose for which it is intended. Failure to do so may cause damage and/or personal injury and will invalidate the warranty. Keep these instructions safe for future use.



Refer to
instruction
manual

Specification

Model No's	DG264	DG265
Canopy width	Ø3m	
Material canopy/pole	220g/m ² polyester/steel	180g/m ² polyester/steel
Pole diameter	Ø48mm	
Type	Banana parasol	

About the Product

Ø3m Diameter provides full shade for all garden, patio and other outdoor settings. Crank handle makes operation of this banana parasol seamless and effortless. Parasol pole has a diameter of 48mm and is manufactured from durable steel. Canopy is supported by 8 strong steel ribs ensuring stability and shape at all times. Parasol base is available separately under Dellonda Model No. DG266.

Safety Instructions

• GENERAL SAFETY

- **WARNING!** The warnings, cautions and instructions in this manual cannot cover all possible conditions and situations that may occur. It must be understood by the operator that common sense and caution are factors which cannot be built into this product, but must be applied by the end user.

Offset patio umbrellas are designed to provide protection from the sun NOT the wind.



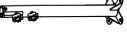




- NEVER open or operate this umbrella in wind conditions greater than 5mph (8kph).
- NEVER use the tilt function in any wind (even a light breeze).
- NEVER use excessive force on the crank handle to open or close the umbrella.
- ALWAYS close and secure the umbrella when not in use or during any strong wind event, especially gusting wind and rain.
- ALWAYS close the umbrella when unattended or not in use. If you are not sitting under it, the umbrella should be closed.
- Base weights are required (additional purchase) to secure this umbrella. NEVER open or operate the umbrella without first placing base weights in each open section of the cross base. It is important to use a correctly weighted base; more weight is always better than less weight. This model requires a MINIMUM base weight of 192lb (88kg).

FAILURE TO CAREFULLY OBSERVE THESE SAFETY WARNINGS CAN RESULT IN CATASTROPHIC DAMAGE TO YOUR UMBRELLA, POTENTIAL PERSONAL INJURY AND OR PROPERTY DAMAGE.

• IMPORTANT INFORMATION

If the umbrella is showing ANY signs of stress, or IF the umbrella begins to move around excessively even when properly weighted it indicates the wind is too strong and the umbrella must be closed and secured immediately.

Contents

Item	Part	Qty	Part Description
A		1	Lower Cross Base
B		1	Upper Cross Base
C		1	Central Spigot
D		4	Hex Bolt M8* 20mm
E		4	Washer M8
F		1	Main Frame and Canopy
G		1	Wrench M8

NOTE:

Also included:
Item H
Part Not shown
Qty 1
Part Description
Parasol Cover

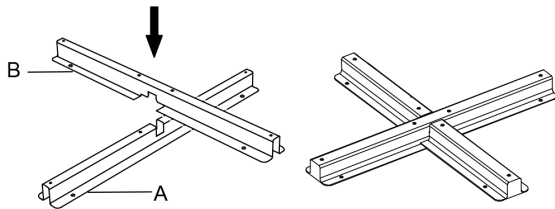
Preparation

- Check you have all the listed parts before you start assembly.
- Assemble on a soft surface such as a drop sheet or rug to avoid scratching.
- In the event of missing or damaged parts, contact Dellonda.

Assembly

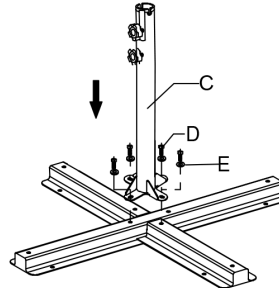
Step 1

Place upper cross base (B) over lower cross base (A)



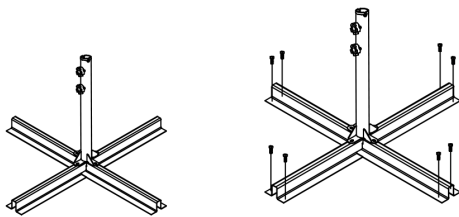
Step 2

Use the M8 wrench to fix the central spigot to the assembled cross base with 20mm M8 hex bolts and M8 washers. Tighten firmly.



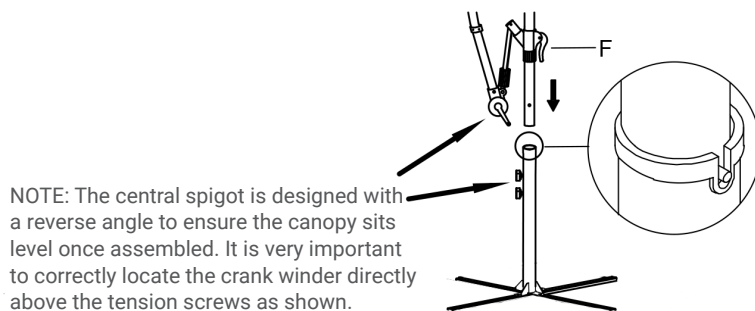
Step 3

Place the assembled cross base in your preferred location. Cross base must be secured to the surface on which it is to stand, using appropriate fixings (not supplied) or weighed down with a minimum of 88kg see Safety section.



Step 4

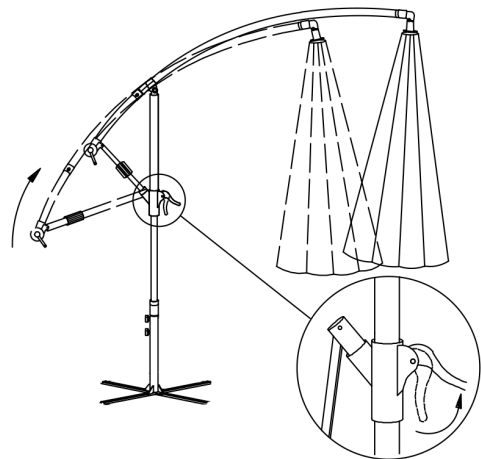
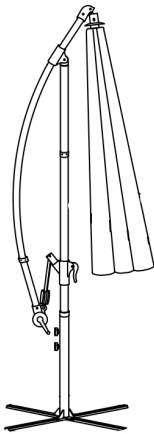
Attach the main frame and canopy to the central spigot. Ensure that the locating pin is positioned into the cutout in the top of the central spigot. Tighten the two tension screws firmly.



Operation

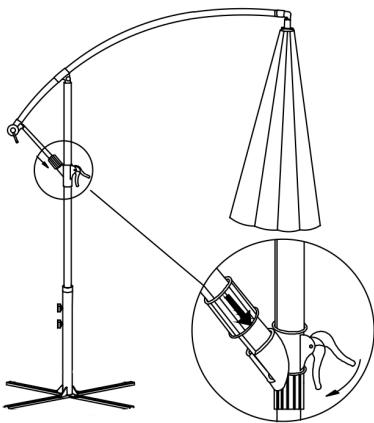
Step 1

Unlock the lift clamp. Gently slide the arm upwards to fully extend the Umbrella.



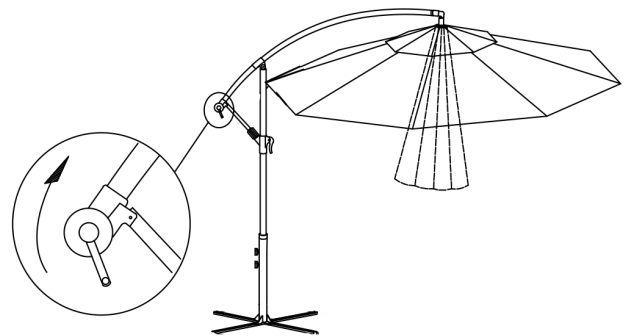
Step 2

When the umbrella arm is fully extended, lock the lift clamp and slide the lock cover into place as shown.



Step 3

Turn the crank handle in a clockwise direction to open the canopy (take care not to keep winding the crank handle once the canopy is fully opened). Use the tie strings provided at the back of the canopy to secure it to the main umbrella pole.

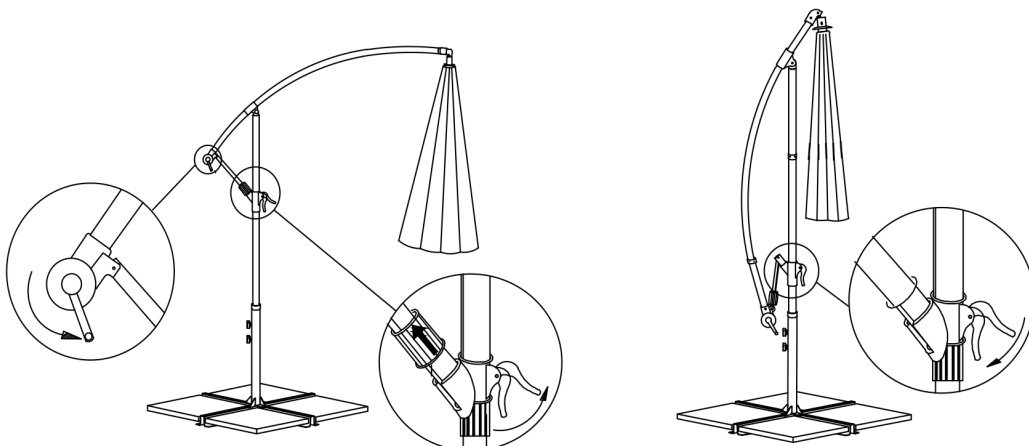


Step 4

To close the umbrella, wind the crank handle gently in a counter-clockwise direction until the canopy is fully closed.

CRITICAL STEP: Always remember to slide the lock cover away from the vertical lift mechanism **BEFORE** lowering the umbrella arm. Unlock the lift clamp and gently slide the arm downwards to fully lower the umbrella.

NOTE: A regular application of silicon spray to the sliding mechanisms will assist with smooth operation.



Care and maintenance

- To help extend the life of the polyester fabric and reduce the effects of fading we strongly advise using a protective storage cover whenever the umbrella is not being used.
- During extended periods of bad weather (especially through winter months) your umbrella should be stored inside in a dry place.
- The polyester fabric has been treated to make it dirt and shower resistant (not waterproof), if your umbrella gets wet please allow it to fully dry before storing it away. The fabric can be cleaned with a soft brush then use a damp cloth and mild detergent to remove any stubborn stains.

Environment Protection and Waste Protection and Electrical Equipment Regulations (WEEE)

Recycle unwanted packaging materials. When this product is no longer required, or has reached the end of its useful life, please dispose of it in an environmentally friendly way. Drain any fluids (if applicable) into approved containers, in accordance with local waste regulations. Under the Waste Batteries and Accumulators Regulations 2009, Dellonda would like to inform the user that this product contains one or more batteries. It is our policy to continually improve products and we reserve the right to alter data, specifications and parts without prior notice. No liability is accepted for incorrect use of this product. Guarantee is 12 months from purchase date, proof of which is required for any claim.

Dellonda Limited

Kempson Way, Suffolk Business Park, Bury St Edmunds, Suffolk. IP32 7AR



01284 757575



support@dellonda.co.uk



www.dellonda.co.uk