

SEALEY

SEALEY BRAKE & CLUTCH BLEEDER CAP UNIVERSAL ADAPTOR

MODEL NO: **VS0204UA**

Thank you for purchasing a Sealey product. Manufactured to a high standard, this product will, if used according to these instructions, and properly maintained, give you years of trouble free performance.

IMPORTANT: PLEASE READ THESE INSTRUCTIONS CAREFULLY. NOTE THE SAFE OPERATIONAL REQUIREMENTS, WARNINGS & CAUTIONS. USE THE PRODUCT CORRECTLY AND WITH CARE FOR THE PURPOSE FOR WHICH IT IS INTENDED. FAILURE TO DO SO MAY CAUSE DAMAGE AND/OR PERSONAL INJURY AND WILL INVALIDATE THE WARRANTY. KEEP THESE INSTRUCTIONS SAFE FOR FUTURE USE.



Refer to instructions



Wear eye protection



Wear protective gloves

1. SAFETY

IMPORTANT! These instructions are provided as a guide only. Always refer to the vehicle manufacturer's service instructions.

- ✓ It is recommended to perform a leak test to ensure if the adaptor is tightly and securely connected on the reservoir.
- ✓ Keep this product in good working order and condition, take immediate action to repair or replace damaged parts.
- ✓ Use approved parts only. Unapproved parts may be dangerous and will invalidate the warranty.
- ✓ Keep children and unauthorised persons away from the work area.
- ✓ Keep work area clean and tidy and free from unrelated materials.
- ✓ Ensure the work area has adequate lighting.
- ✗ **DO NOT** use the kit to perform a task for which it is not designed.
- ✗ **DO NOT** allow untrained persons to use the kit.
- ✗ **DO NOT** use when tired or under the influence of drugs, alcohol or intoxicating medication.
- ✓ After use, clean equipment and store in a cool, dry, childproof area.
- ✓ Dispose of waste liquids in accordance with local authority regulations.
- ✓ Always read and comply with the warnings on the brake fluid container.
- ✓ Wear eye protection and keep skin contact to a minimum. If brake fluid enters eyes rinse with plenty of water and seek medical advice. If swallowed seek medical advice immediately.
- **WARNING!** Only use new Brake Fluid, used Brake Fluid or other fluids will contaminate the system and possible brake system failure may result.
- **WARNING! DO NOT** pollute the environment by allowing uncontrolled discharge of fluids.
- **WARNING!** Brake fluid is flammable - keep away from sources of ignition, including hot surfaces e.g. exhaust manifold.
- **WARNING!** Brake fluid will damage paintwork. Any spillage should be flushed with water immediately.

2. INTRODUCTION

Universal brake and clutch bleeder adaptor cap fits most vehicles. 90° Rotating coupling with height adjustment for use where space is limited. Adjustable securing wings connect to the master cylinder filling neck 114mm – 180mm. Brake fluid resistant EPDM rubber. Cap size Ø26 – Ø79mm. Heavy-duty chrome steel construction.

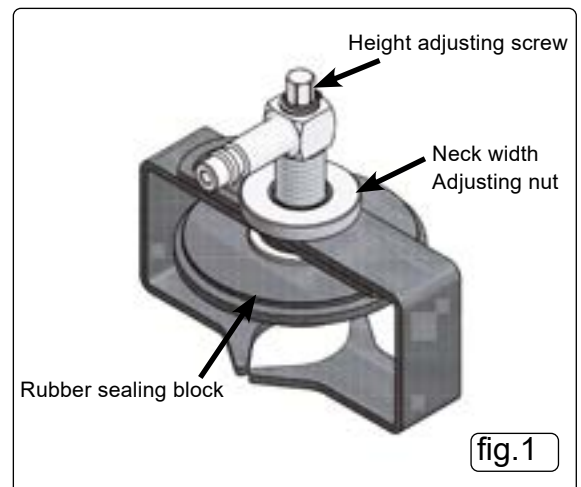
3. OPERATION

REFER TO FIG1.

- 3.1. Remove the master cylinder reservoir cap and withdraw as much old brake fluid as possible.
- 3.2. Unscrew the neck width adjusting nut and locate adjustable clamps on neck of fluid container. Loosely tighten adjusting nut to hold the adaptor in place.
- 3.3. Operate the height adjusting screw in order that the rubber sealing block fits tightly onto the cylinder neck.
- 3.4. Connect the pressure bleeding tool or machine to the adaptor.
- 3.5. Follow the instructions as specified by the pressure bleeding tool or machine manufacturer.
- 3.6. It is recommended to perform a leak test to ensure if the adaptor is tightly and securely connected on the reservoir.

4. MAINTENANCE

- 4.1. Ensure that the unit is de-pressurized before carrying out any maintenance and drain all fluids from the fluid supply tube.
- 4.2. Clean up any spilled brake fluid and wipe down with a clean cloth.
- 4.3. Store in a clean, dry and childproof location.





ENVIRONMENT PROTECTION

Recycle unwanted materials instead of disposing of them as waste. All tools, accessories and packaging should be sorted, taken to a recycling centre and disposed of in a manner which is compatible with the environment. When the product becomes completely unserviceable and requires disposal, drain any fluids (if applicable) into approved containers and dispose of the product and fluids according to local regulations.

Note: It is our policy to continually improve products and as such we reserve the right to alter data, specifications and component parts without prior notice.

Important: No Liability is accepted for incorrect use of this product.

Warranty: Guarantee is 12 months from purchase date, proof of which is required for any claim.



REGISTER YOUR
PURCHASE HERE

Sealey Group, Kempson Way, Suffolk Business Park, Bury St Edmunds, Suffolk. IP32 7AR



01284 757500



01284 703534



sales@sealey.co.uk



www.sealey.co.uk