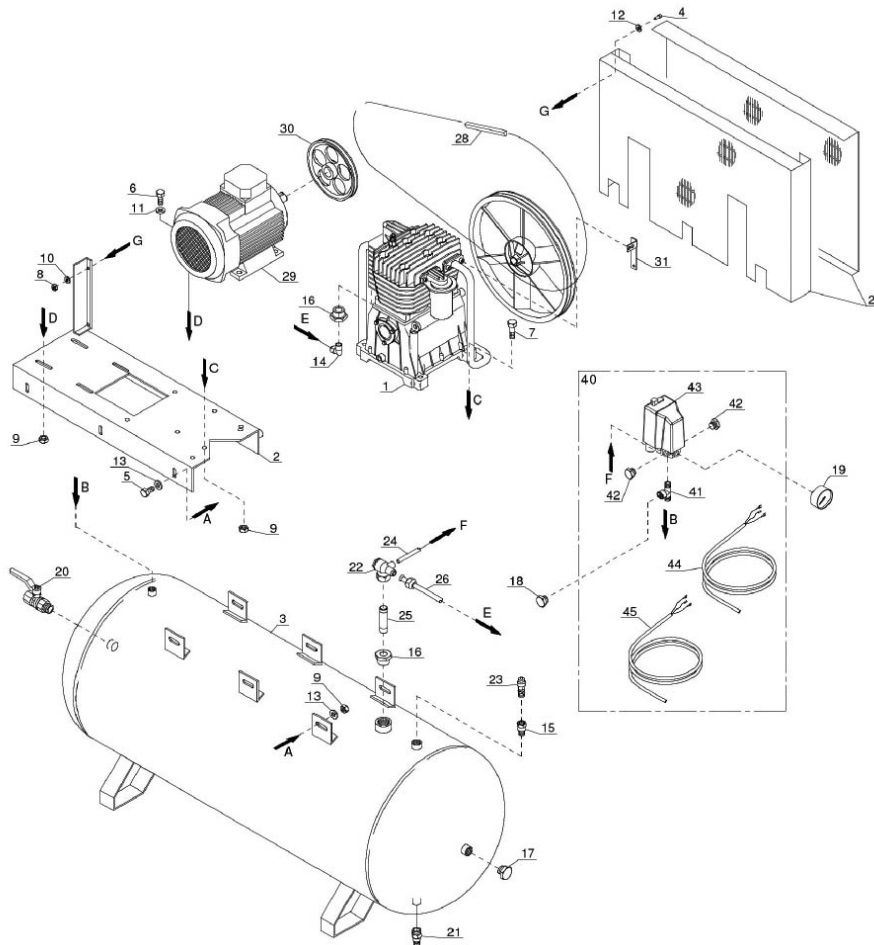




Parts Information:  
**Compressor 270ltr Belt Drive 7.5hp 3ph**  
**2-Stage with Cast Cylinders**  
**Model No: SAC52775B**



Item	Part No.	Description
1	SAC3021110000	Pump (AB858)
2	SAC5010460008	Base Plate
3	SAC5153030008	Tank 270ltr
4	SAC7010010000	Bolt (M6x16)
5	SAC7011160000	Bolt M10x30
6	SS1035.S	Hex Head Set Screw M10 X 35 Zinc
7	SS1055.S	Hex Head Set Screw M10 X 55 Zinc
8	SN6.S	Steel Nut M6 Zinc
9	SN10.S	Steel Nut M10 Zinc
10	FWM6.S	Flat Washer M6 Zinc
11	FWM10.S	Flat Washer M10 Zinc
12	RW625.S	Repair Washer 6 X 25 Zinc
13	RW1030.S	Repair Washer M10 X 30 Zinc
14	SAC7080160000	Elbow 1/2"bsp Male x2
15	SAC7085020000	Adaptor 1/2"bsp Male-3/8"bsp Female
16	SAC7085110000	Adaptor 1"bsp Male-1/2"bsp Female
17	SAC7090030000	Plug 1/2
18	SAC7090080000	Plug
19	SAC7110060000	Gauge 230psi, 60mm od, Rear Fitting

Item	Part No.	Description
20	SAC7130150000	Ball Valve 1/2"bsp Female-1/2"bsp Male
21	SAC7130160000	Drain Valve 3/8"bsp Male
22	SAC7190150000	Non-Return Valve
23	SAC7192090000	Safety Valve 10Bar 3/8"bsp Male
24	SAC7230010000	Rislan Hose (Sold Per 1 Metre)
25	SAC7232070000	Union 1/2"bsp Male x 2 l;81mm
26	SAC7235620000	Delivery Pipe
27	SAC4170200000	Beltguard Kit
28	V/A68	V-Belt (1d-1725) A68
29	SAC7380120000	Motor (External 7.5hp 230-400v 50hz)
30	SAC7408830000	Motor Pulley - 185mm Twin Belt (Standard)
31	SAC7458840000	Belt guard Support
40	SAC4051970000	Pressure Switch Kit c/w Cables
41	SAC7082690000	T-Joint 3/8"bsp Male x2-3/8"bsp Female
42	SAC7090070000	Plug 1/4"
43	SAC7250500000	Pressure Switch 16amp 8-10Bar
44	SAC7328690000	Power Cable
45	SAC7328700000	Pressure Switch Cable (4x2.5mm)

**NOTE:** It is our policy to continually improve products and as such we reserve the right to alter data, specifications and component parts without prior notice. There may be alternative versions of this product, please contact us should you require this information.

**IMPORTANT:** No liability is accepted for incorrect use of product. Spare parts must be fitted by a competent person

**WARRANTY:** Guarantee is 12 months from purchase date, proof of which will be required for any claim.

Sealey Group, Kempson Way, Suffolk Business Park, Bury St Edmunds, Suffolk. IP32 7AR



01284 757500



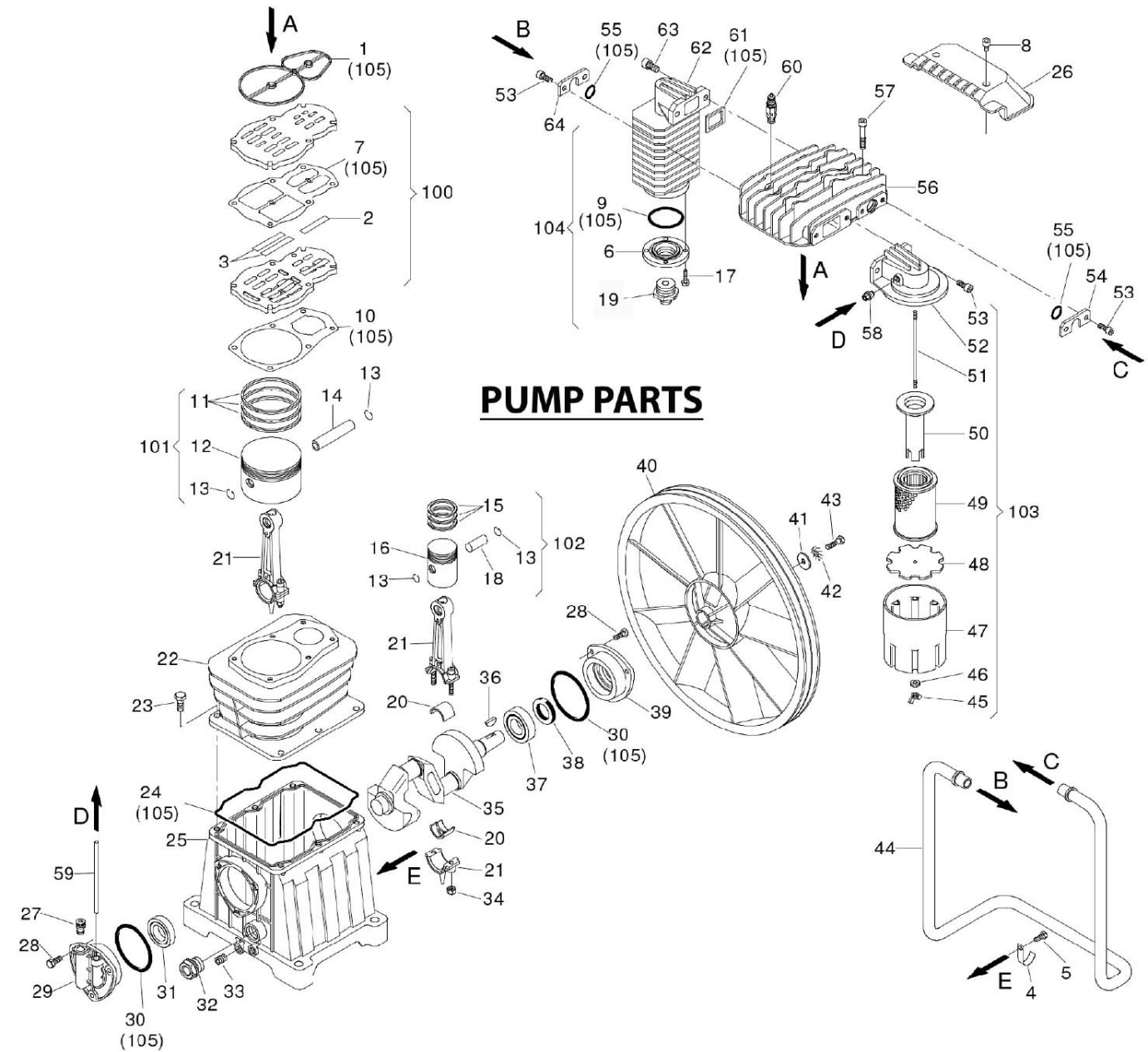
01284 703534



sales@sealey.co.uk



www.sealey.co.uk



Item	Part No.	Description
1	SAC7079610000	Head Gasket
2	SAC7199130000	Valve Reed
3	SAC7199140000	Valve Reed
4	SAC7458910000	Clamp
5	SS616.S	Hex Head Set Screw M6 X 16 Zinc
6	SAC5131020008	Reducer
7	SAC7079600000	Valve Plate Gasket (Rounded Shape Metal)
8	MSP512.S	Machine Screw Pan Head Phillips M5 X 12mm
9	1000TR.47	O-Ring, (Ex: 57.45 In: 50.39 Cs: 3.53)

Item	Part No.	Description
10	SAC7079590000	Cylinder Gasket
11	SAC4080090000	Piston Ring Set (Low)
12	SAC7220140000	Piston (Low)
13	SAC7040140000	Seeger Ring
14	SAC7050150000	Piston Pin
15	SAC4080080000	Piston Ring Set (High)
16	SAC7220120000	Piston (High)
17	SS620.S	Hex Head Set Screw M6 x 20
18	SAC7050130000	Piston Pin

**NOTE:** It is our policy to continually improve products and as such we reserve the right to alter data, specifications and component parts without prior notice. There may be alternative versions of this product, please contact us should you require this information.

**IMPORTANT:** No liability is accepted for incorrect use of product. Spare parts must be fitted by a competent person

**WARRANTY:** Guarantee is 12 months from purchase date, proof of which will be required for any claim.



Parts Information:  
**Compressor 270ltr Belt Drive 7.5hp 3ph  
2-Stage with Cast Cylinders  
Model No: SAC52775B**

Item	Part No.	Description
19	SAC7080160000	Elbow 1/2"bsp Male x2
20	SAC7062170000	Bushing
21	SAC4190370008	Con-Rod With Bush
22	SAC5060720008	Cylinder
23	SAC7011160000	Bolt M10x30
24	SAC7079410000	Crankcase Seal
25	SAC5070270008	Crankcase
26	SAC7153050000	Cover
27	SAC1129700300	Breather Plug
28	SAC7011090000	Screw (M8x20)
29	SAC5082090008	Front Cover
30	SA685.22	O-ring, (Ex: 85.83 In: 82.27 Cs: 1.78)
31	B/6006	Bearing 6006
32	SAC9700000408	Oil Level Gauge
33	SAC7090090000	Plug 1/4"
34	SAC7022040000	Lock Nut
35	SAC5041150008	Crankshaft
36	SAC7051520000	Key
37	B/6206	Bearing 6206
38	SAC7071130000	Oil Seal
39	SAC5082050008	Rear Cover
40	SAC7201240000	Flywheel
41	RW825.S	Repair Washer M8 X 25 Zinc
42	SAC7031010000	Toothed Washer
43	SS830.S	Hex Head Set Screw M8 X 30 Zinc
44	SAC7230750000	Delivery Tube
45	SN6.S	Steel Nut M6 Zinc

Item	Part No.	Description
46	SAC7031030000	Washer
47	SAC7210270000	Filter Casing
48	SAC7210280000	Filter Element
49	SAC7210260000	Filter Cartridge
50	SAC7210290000	Sleeve
51	SAC7015160000	Tension Rod
52	SAC5130070008	Filter Cover
53	SAC7010050000	Screw (M8x20)
54	SAC7458460000	Stop Plate
55	SA29V3-41	O-ring, (Ex: 22.36 In: 17.12 Cs: 2.62)
56	SAC5030590008	Head
57	SAC7010060000	Skt. Hd Bolt M8x45
58	SAC7084600000	Fitting
59	SAC7230020000	Rislan Hose
60	SAC7192350000	Safety Valve 1/4"bsp Male 6bar
61	SAC7079250000	Gasket
62	SAC5130090008	Aftercooler
63	SCB1025.S	Socket Cap Bolt M10 x 25mm
64	SAC7458420000	Stop Plate
100	SAC7459550000	Valve Plate Group (Rounded Shape)
101	SAC4291110000	Piston Group (Low)
102	SAC4291150000	Piston Group (High)
103	SAC4250100000	Filter Group
104	SAC4251150000	Aftercooler Group
105	SAC4082480000	Gasket Set
--	SAC7085110000	Adaptor 1"bsp Male-1/2"bsp Female (Not Shown)

**NOTE:** It is our policy to continually improve products and as such we reserve the right to alter data, specifications and component parts without prior notice. There may be alternative versions of this product, please contact us should you require this information.

**IMPORTANT:** No liability is accepted for incorrect use of product. Spare parts must be fitted by a competent person

**WARRANTY:** Guarantee is 12 months from purchase date, proof of which will be required for any claim.

**Sealey Group**, Kempson Way, Suffolk Business Park, Bury St Edmunds, Suffolk. IP32 7AR



01284 757500



01284 703534



sales@sealey.co.uk



www.sealey.co.uk