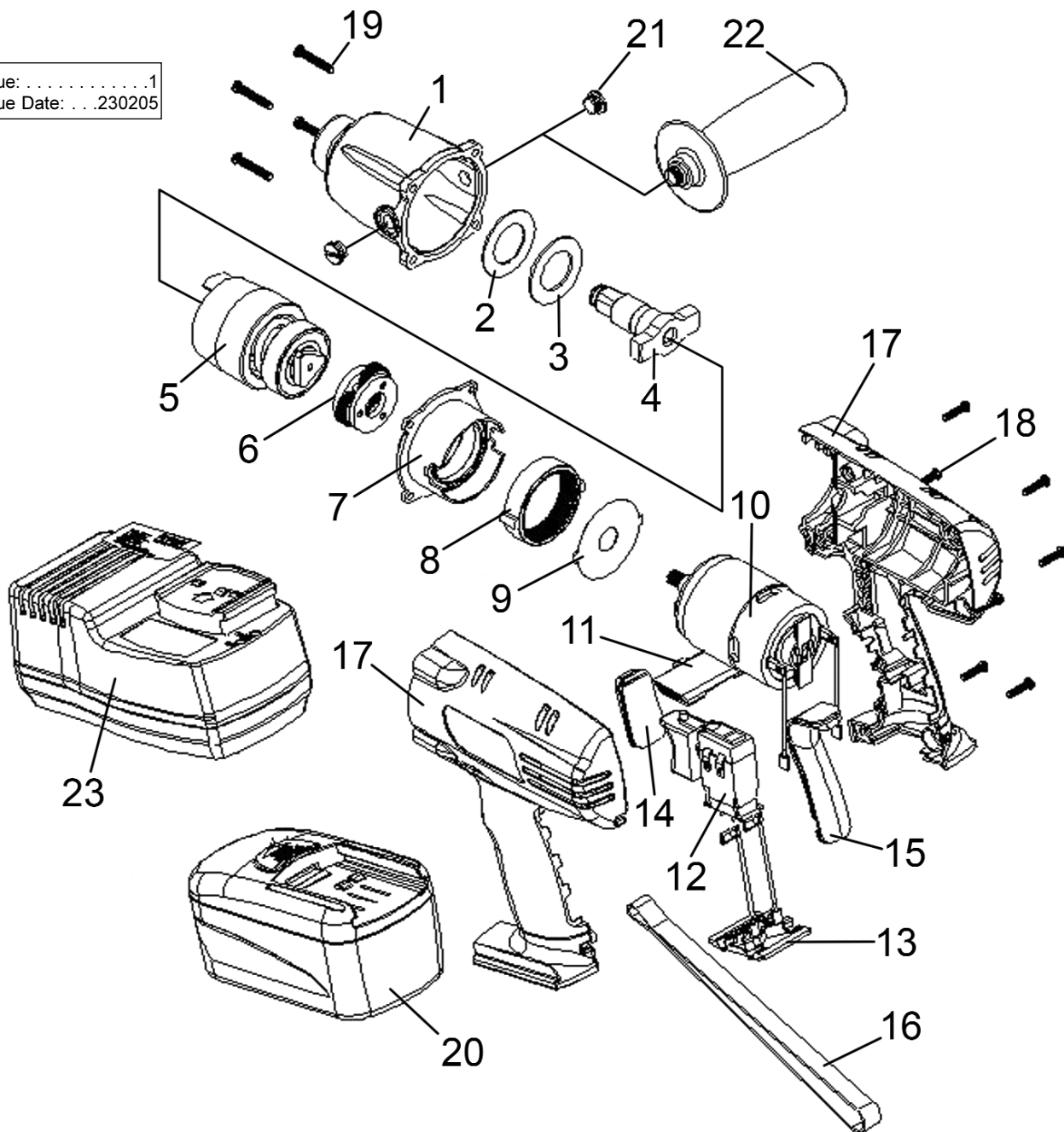


# SEALEY POWER TOOLS

PARTS LIST FOR:  
**IMPACT WRENCH**  
 MODEL NO: **CP3002.V2**

Issue: .....1  
 Issue Date: ...230205



ITEM	PART NO.	DESCRIPTION	ITEM	PART NO.	DESCRIPTION	ITEM	PART NO.	DESCRIPTION
01.	CP3002/01	FRONT COVER ASS'Y	09.	CP3001.V2-25	WASHER B	17.	CP3002/18	MAIN HOUSING L & R
02.	CP3001.V2-02	RUBBER WASHER	10.	CP3002.V2.10	MOTOR ASS'Y	18.	CP3002.V2-17	HOUSING SCREW
03.	CP3001.V2-03	WASHER A	11.	CP3002/12	FORWARD/REVERSE ROD	19.	CP3002.V2-18	FRONT COVER SCREW
04.	CP3002/04	FRONT IMPACT ASS'Y	12.	CP3002/13	SWITCH	20.	CP3002BP	BATTERY
05.	CP3002/05	REAR IMPACT ASS'Y	13.	CP3002/14	BATTERY CONNECTOR ASS'Y	21.	CP3002.V2-22	SCREW
06.	CP3002/06	PLANETARY GEARS	14.	CP3002/15	SOFT GRIP (FRONT)	22.	CP3002.V2-23	SIDE HANDLE
07.	CP3001.V2-06	GEAR RING HOLDER	15.	CP3002/16	SOFT GRIP (REAR)	23.	CP3002/26	CHARGER
08.	CP3001.V2-07	GEAR RING	16.	CP3002.V2-16	BELT			

**NOTE:** It is our policy to continually improve products and as such we reserve the right to alter data, specifications and component parts without prior notice. **IMPORTANT:** No liability is accepted for incorrect use of this equipment. **WARRANTY:** Guarantee is 12 months from purchase date, proof of which will be required for any claim. **INFORMATION:** For a copy of our latest catalogue and promotions call us on 01284 757525 and leave your full name and address, including postcode.



Sole UK Distributor, Sealey Group, Bury St. Edmunds, Suffolk.

01284 757500

01284 703534



www.sealey.co.uk



sales@sealey.co.uk