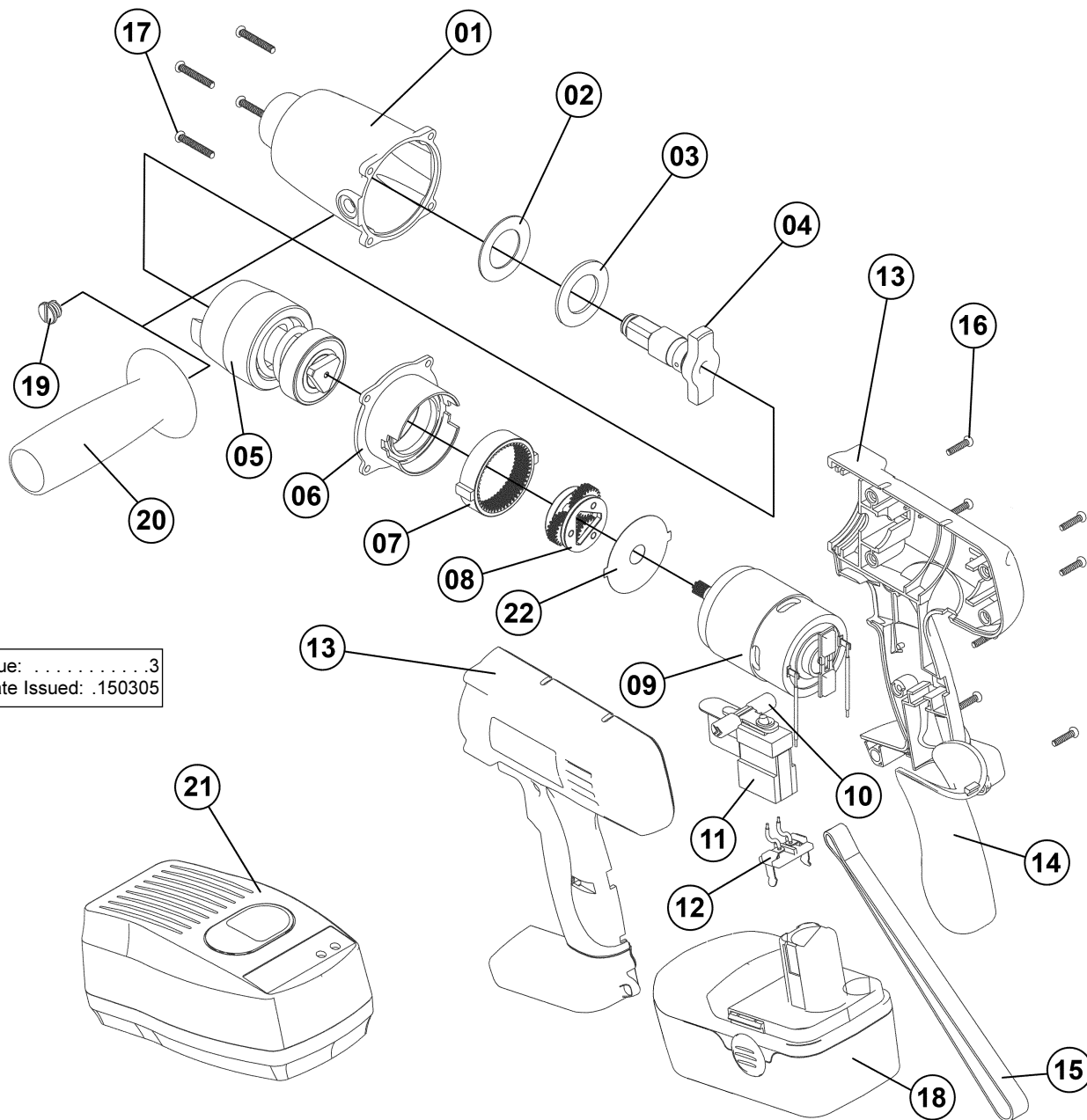


SEALEY POWER TOOLS

PARTS LIST FOR:
IMPACT WRENCH
 MODEL NO: **CP3001.V2**



Issue:3
 Date Issued: .150305

ITEM	PART NO.	DESCRIPTION	ITEM	PART NO.	DESCRIPTION
01.	CP3001.V2-01	FRONT COVER ASS'Y	12.	CP3001.V2-13	BATTERY CONNECTOR ASSEMBLY
02.	CP3001.V2-02	RUBBER WASHER	13.	CP3001.V2-14	MAIN HOUSING (R & L)
03.	CP3001.V2-03	WASHER A	14.	CP3001.V2-15	SOFT GRIP
04.	CP3001.V2-04	FRONT IMPACT ASS'Y	15.	CP3001.V2-16	BELT
05.	CP3001.V2-05	REAR IMPACT ASS'Y	16.	CP3001.V2-17	HOUSING SCREW
06.	CP3001.V2-06	GEAR RING ASS'Y	17.	CP3001.V2-18	FRONT COVER SCREW
07.	CP3001.V2-07	GEAR RING	18.	CP3001BP	BATTERY
08.	CP3001.V2-08	PLANETARY GEARS	19.	CP3001.V2-22	SCREW
09.	CP3001.V2-10	MOTOR ASS'Y	20.	CP3001.V2-23	SIDE HANDLE
10.	CP3001.V2-11	FORWARD-REVERSE ROD	21.	CP3001/C	CHARGER
11.	CP3001.V2-12	SWITCH	22.	CP3001.V2-25	WASHER B

NOTE: It is our policy to continually improve products and as such we reserve the right to alter data, specifications and component parts without prior notice. **IMPORTANT:** No liability is accepted for incorrect use of this equipment. **WARRANTY:** Guarantee is 12 months from purchase date, proof of which will be required for any claim. **INFORMATION:** For a copy of our latest catalogue and promotions call us on 01284 757525 and leave your full name and address, including postcode.

SEALEY POWER TOOLS Sole UK Distributor, Sealey Group, Bury St. Edmunds, Suffolk.

01284 757500
 01284 703534
 www.sealey.co.uk
 sales@sealey.co.uk