



MOTORCYCLE LIFT 450KG - 12V ELECTRO/ HYDRAULIC

MODEL NO.: **MC454E**

Thank you for purchasing a Sealey product. Manufactured to a high standard, this product will, if used according to these instructions, and properly maintained, give you years of trouble free performance.

IMPORTANT: PLEASE READ THESE INSTRUCTIONS CAREFULLY. NOTE THE SAFE OPERATIONAL REQUIREMENTS, WARNINGS & CAUTIONS. USE THE PRODUCT CORRECTLY AND WITH CARE FOR THE PURPOSE FOR WHICH IT IS INTENDED. FAILURE TO DO SO MAY CAUSE DAMAGE AND/OR PERSONAL INJURY AND WILL INVALIDATE THE WARRANTY. KEEP THESE INSTRUCTIONS SAFE FOR FUTURE USE.



Refer to instructions



Wear protective gloves



Wear safety footwear



Warning:
Crushing of
Hands



No reaching in

1. SAFETY

1.1. GENERAL SAFETY

- WARNING!** Disconnect lift from power supply before changing parts, servicing or performing any maintenance.
- ✓ Ensure lift is kept clean and in good working order. Immediately repair or replace damaged parts.
- ✓ Use recommended parts only. Incorrect parts may be dangerous and will invalidate the warranty.
- ✓ Use a qualified person to lubricate and maintain the lift. **DO NOT** use brake fluid to top up system. Use Sealey hydraulic oil only.
- ✓ Locate lift in a suitable, well lit work area. Keep area clean and tidy and free from unrelated materials.
- ✓ Use lift on level and solid ground, preferably concrete, capable of withstanding the weight of the lift and any load placed on it.
- ✓ Avoid tarmacadam since lift may sink in.
- ✓ Ensure all non-essential persons keep a safe distance.
- ✓ Always keep your hands and feet away from moving parts. **DO NOT** reach under the lift.
- ✗ **DO NOT** operate the lift if parts are missing or damaged.
- ✗ **DO NOT** adjust the safety overload valve.
- ✓ Keep the lift clean for best and safest performance.
- ✓ The maximum load is 450kg. **DO NOT** exceed this rated capacity.
- ✓ Use this lift for lifting purpose only. NOT to be used for lifting persons. **DO NOT** use it for any other purpose it is not designed to perform.
- ✓ Keep children and unauthorised persons away from the work area.
- ✓ Remove ill fitting clothing. Remove ties, watches, rings and other loose jewellery, and contain long hair.
- ✓ Keep proper balance and footing, **DO NOT** overreach and wear non-slip footwear.
- ✓ Ensure the vehicle is adequately secured to the lifting platform with appropriate straps.
- ✓ Before lowering lift ensure that there are no obstructions underneath and that all persons are standing clear.
- ✗ **DO NOT** use the lift if damaged, any suspect parts are noted or it has been subjected to a shock load.
- ✗ **DO NOT** operate the lift when you are tired or under the influence of alcohol, drugs or any intoxicating medication.
- ✗ **DO NOT** allow untrained persons to operate the lift.
- ✗ **DO NOT** make any modifications to the lift.
- ✗ **DO NOT** get the lift wet.
- ✓ When not in use remove power supply, and store in the down position in a safe, dry, childproof area.
- WARNING:** The warnings, cautions and instructions discussed in this instruction manual cannot cover all possible conditions and situations that may occur. It must be understood that common sense and caution are factors which cannot be built into this product, but must be applied by the operator.

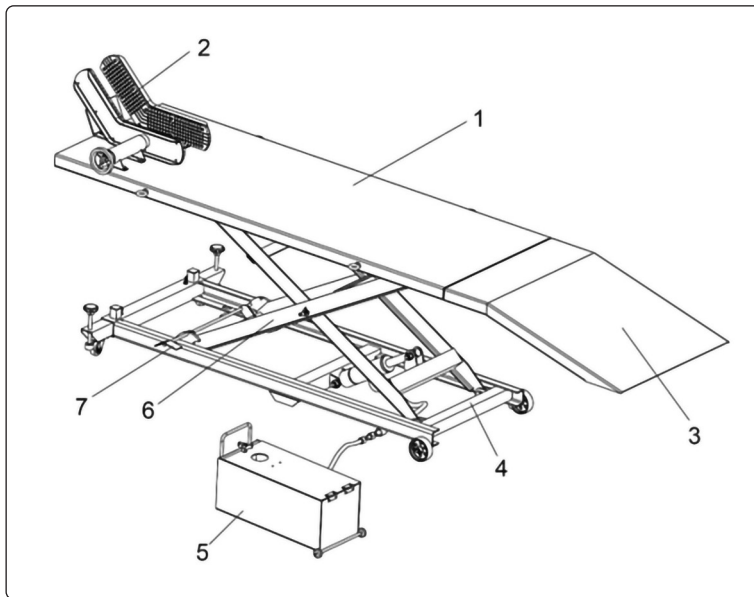
2. INTRODUCTION

All steel construction with a 450kg capacity. 12V Electro/Hydraulic lifting system for simple, fast operation. Can be powered by a 12V vehicle battery or a Roadstart unit. Support platform fitted with full width loading ramp. Supplied with motorcycle front wheel locking attachment for tyre widths up to 135mm to assist in securing the vehicle. Fitted with multi-position safety lock to prevent accidental lowering. Suitable for use in a garage or shed without the need of mains 230v electricity supply or for a mobile mechanic or race pits. Designed for use with centre or side stand motorcycles or with a rear paddock stand.

3. SPECIFICATION

Model no: MC454E
Capacity: 450kg
Minimum height: 215mm
Maximum height: 760mm
Platform Width: 650mm
Platform Length: 1828mm
Electrical Power Supply: 12V

4. FEATURES



ITEM	DESCRIPTION
1	Platform
2	Wheel Clamp
3	Ramp
4	Base Frame
5	Power Unit
6	Lifting Frame
7	Safety Device

5. ASSEMBLY

- ❑ **WARNING!** The lift is very heavy. Use appropriate mechanical lifting equipment.

NOTE: Item numbers refer to attached Parts list.

- 5.1. Open the package and fix the 4 Lifting Pins, washers and lock nuts (items 5 / 29 / 30) to the edge of the frame.

- 5.2. Use ropes/strops fixed to the 4 Lifting Pins and lift the lift out.

NOTE: The pump tank is filled with oil. **DO NOT** incline it when lifting, so as to avoid the oil being poured out.

5.3. **POWER UNIT PREPARATION**

- 5.3.1. Remove the power unit assembly from the package, lift the handle, align the notch then tighten with two set screws.

5.4. **BASE FRAME, SIDE EXTENSIONS and RAMP (item 35, 16)**

- 5.4.1. Raise the base frame slightly and insert the two short support leg assemblies into the frame in the appropriate position and fix in place using the Safety Latches (item 36).

- 5.4.2. Slide Ramp (item 16) into place and fix with cotter pin (item 17).

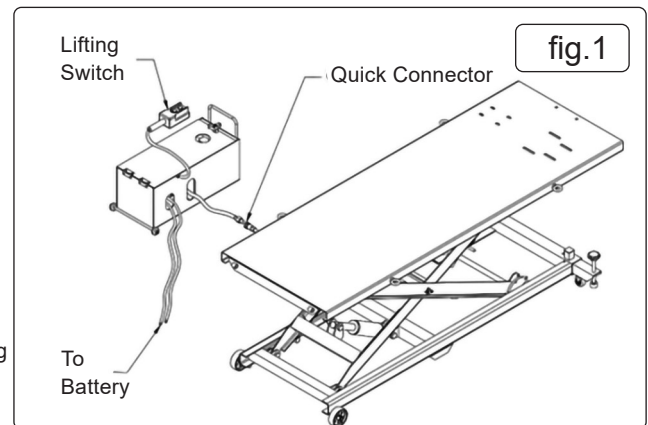
5.5. **HYDRAULIC CONNECTION (fig 1)**

- 5.5.1. Connect the hydraulic hoses of the power unit and base frame with quick connector, connect the two wires of the power unit to the battery, then press the lifting switch to raise the platform.

5.6. **WHEEL CLAMP (refer to Parts List)**

- 5.6.1. Fix Wheel Clamps (items 44, 46) in place using fixings provided.

- 5.6.2. Fix Baffle Plate (item 45) in place using fixings provided.



6. OPERATION

- ❑ **WARNING!** Ensure that you have read, understand and apply the Section 1 Safety Instructions.
- ❑ **WARNING! DO NOT** overload the lift. The maximum load is 450kg.
- ✓ Position the lift in a suitable location, preferably on a concrete surface, capable of withstanding the weight of the motorcycle/vehicle and the lift.

- ❑ **WARNING!** The motorcycle needs to be fully supported by the platform prior to lifting. The ramp (item 16) is only used to assist the operator in wheeling the vehicle on to the platform when the lift is at its lowest position.

- 6.1. Wheel the motorcycle onto the lift and secure the front wheel into the clamp at the front of the lift.

- 6.2. Secure the motorcycle to the lift using the Lifting Pins (items 29) and appropriate strapping.

- 6.3. The motorcycle lift already has hydraulic oil added before shipping.

- 6.4. Once connected to the power, the lift can be used immediately.

- 6.5. Remove the ramp (item 3) before lifting the platform.

- 6.6. Stand well back from the lift when lifting or lowering platform to avoid danger. Use the lifting switch (fig.1) to raise the lift.

- 6.7. Once at its desired height, lower the lift so that the safety brake engages.

6.8. **LOWERING**

- 6.8.1. Check there are no tools, equipment, cables or hoses under the lift.

- 6.8.2. The safety brake needs to be manually disengaged prior to lowering. Raise the lift to allow the safety brake to be released.

- 6.8.3. As the lift is completely lowered, the safety brake automatically engages ready for ascending.

NOTE: The safety brake only engages once the lift is completely lowered, NOT if the lift is stopped during descent and raised again. In this instance the safety brake **MUST** be manually engaged.

7. MAINTENANCE

- 7.1. Clean and lubricate on a regular basis.
- 7.2. Before each use check all parts. If any part of the lift is damaged or suspect, remove the lift from service and take necessary action to repair.
- 7.3. Regularly check oil level via filler hole. With piston fully down remove filler plug, oil should be level with bottom of filler hole. Top-up as necessary. Use a good quality jack oil such as Sealey Hydraulic Jack Oil. **DO NOT** use brake fluid.
- 7.4. Ensure no dirt enters hydraulic system when filling or removing/replacing components.
- 7.5. Keep the lift clean and wipe off any oil or grease. Lubricate all moving parts.



WEEE REGULATIONS

Dispose of this product at the end of its working life in compliance with the EU Directive on Waste Electrical and Electronic Equipment (WEEE). When the product is no longer required, it must be disposed of in an environmentally protective way. Contact your local solid waste authority for recycling information.



ENVIRONMENT PROTECTION

Recycle unwanted materials instead of disposing of them as waste. All tools, accessories and packaging should be sorted, taken to a recycling centre and disposed of in a manner which is compatible with the environment. When the product becomes completely unserviceable and requires disposal, drain any fluids (if applicable) into approved containers and dispose of the product and fluids according to local regulations.

Note: It is our policy to continually improve products and as such we reserve the right to alter data, specifications and component parts without prior notice.

Important: No Liability is accepted for incorrect use of this product.

Warranty: Guarantee is 12 months from purchase date, proof of which is required for any claim.



REGISTER YOUR PURCHASE HERE

Sealey Group, Kempson Way, Suffolk Business Park, Bury St Edmunds, Suffolk. IP32 7AR



01284 757500



01284 703534



sales@sealey.co.uk



www.sealey.co.uk