

Thank you for purchasing a Sealey product. Manufactured to a high standard this product will, if used according to these instructions and properly maintained, give you years of trouble free performance.



**IMPORTANT: PLEASE READ THESE INSTRUCTIONS CAREFULLY. NOTE THE SAFE OPERATIONAL REQUIREMENTS, WARNINGS & CAUTIONS. USE THE PRODUCT CORRECTLY AND WITH CARE FOR THE PURPOSE FOR WHICH IT IS INTENDED. FAILURE TO DO SO MAY CAUSE DAMAGE AND/OR PERSONAL INJURY AND WILL INVALIDATE THE WARRANTY. PLEASE KEEP INSTRUCTIONS SAFE FOR FUTURE USE.**

## 1. SAFETY INSTRUCTIONS

### 1.1. GENERAL SAFETY

- WARNING!** Ensure Health & Safety, local authority, and general workshop practice regulations are adhered to when using this cabinet.
- ✓ Locate cabinet in a suitable work area.
- ✓ Keep the work area clean, uncluttered and ensure there is adequate lighting.
- WARNING!** Use cabinet on level and solid ground, preferably concrete.
- ✓ Keep the cabinet clean and tidy in accordance with good workshop practice.
- ✓ Keep children and unauthorised persons away from the work area.
- x **DO NOT** use the cabinet for any purpose other than that for which it is designed.
- x **DO NOT** use the cabinet outdoors.
- x **DO NOT** place the cabinet in a damp or wet location or an area where there is condensation.
- x **DO NOT** clean the cabinet with any solvents which may damage the surfaces or the protective coating.
- x **DO NOT** move the cabinet when there are items placed inside.
- x **DO NOT** overload the cabinet.



## 2. INTRODUCTION

Industrial quality, double door, free standing cabinet. Durable, scuff resistant design. Reinforced steel doors with zinc plated locking bars provide 3 point locking mechanism. Supplied with two coded keys. Ideal for home, office, garage or workshop use.

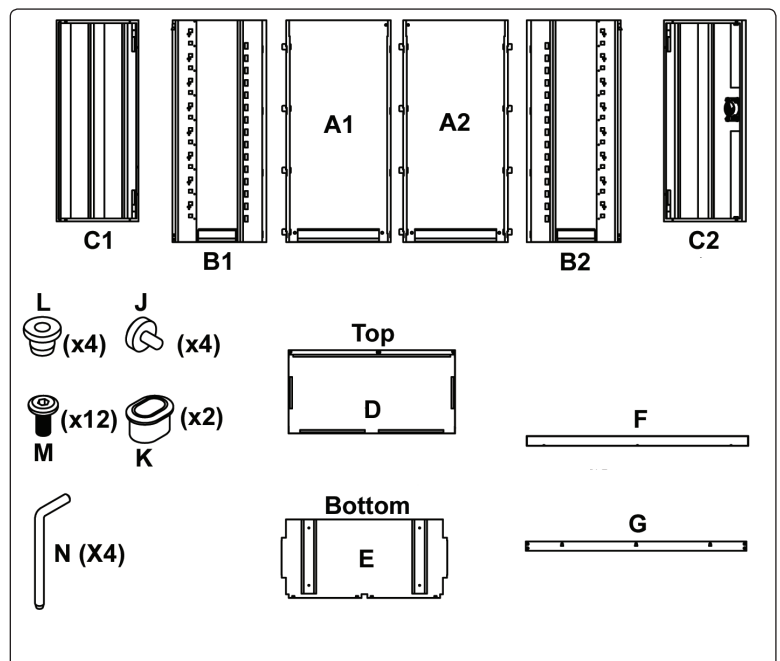
### Dimensions:

Overall Width: 900mm, Depth: 450mm, Height: 900mm.  
 Internal Width: 850mm, Depth: 420mm, Height: 810mm.

## 3. CONTENTS

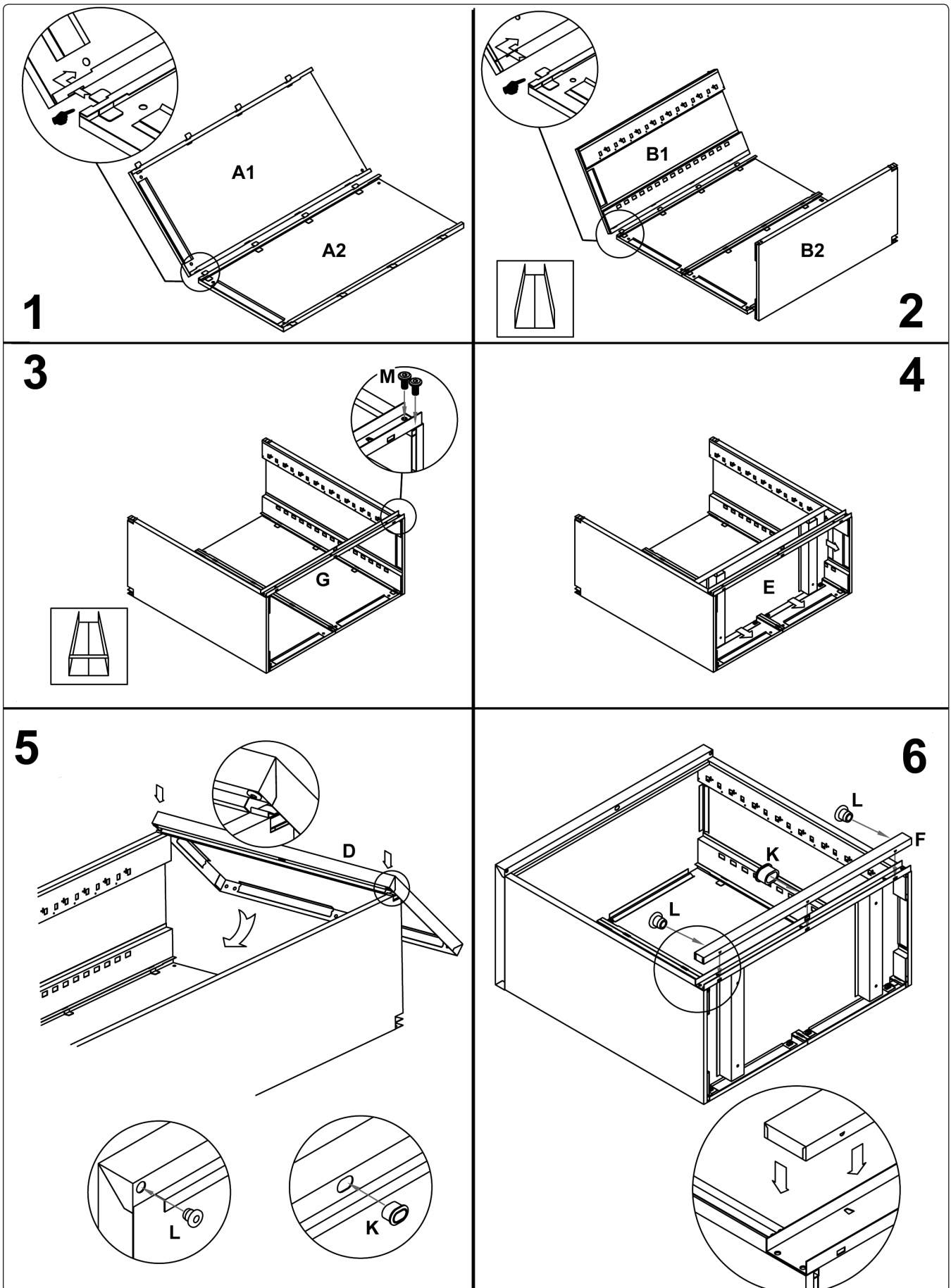
Unpack the contents of the box and check against the parts list/diagram. If there are any parts missing, contact your local Sealey dealer.

Part No.	Part Name	No. of
A1	Rear Panel	1
A2	Rear Panel	1
B1	Left Side Panel	1
B2	Right Side Panel	1
C1	Left Door	1
C2	Right Door	1
D	Top	1
E	Bottom	1
F	Inner Face Plate	1
G	Outer Face Plate	1
J	Plastic Stop	4
K	Locking Pin Locator	2
L	Hinge Pin Locator	4
M	Screw	12
N	Hinge Pin	4

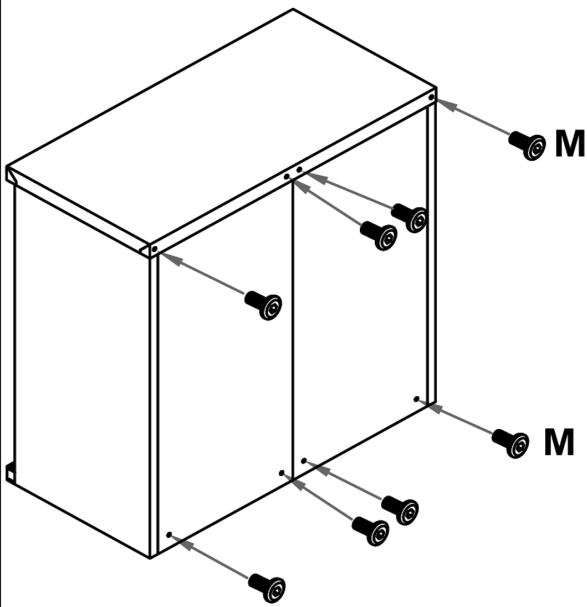


## 4. ASSEMBLY

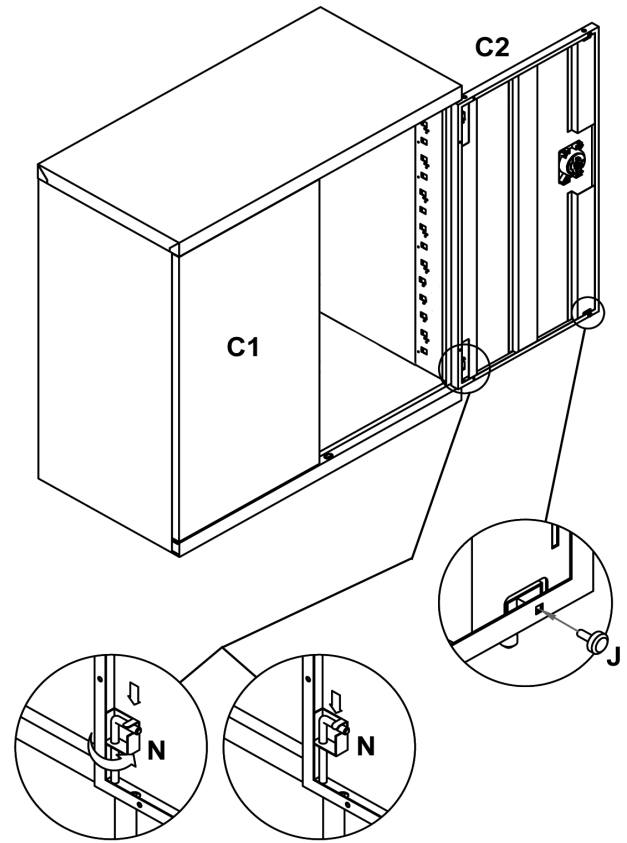
4.1. Assemble the cabinet following the numbered sequence below, referencing the parts list and diagram overleaf. Use a trestle table or a workbench for convenience if required.



7



8



**NOTE:** It is our policy to continually improve products and as such we reserve the right to alter data, specifications and component parts without prior notice.

**IMPORTANT:** No liability is accepted for incorrect use of this product.

**WARRANTY:** Guarantee is 12 months from purchase date, proof of which will be required for any claim.

**INFORMATION:** For a copy of our latest catalogue and promotions call us on 01284 757525 and leave your full name and address, including postcode.



Sole UK Distributor, Sealey Group,  
Kempson Way, Suffolk Business  
Park, Bury St. Edmunds, Suffolk,  
IP32 7AR

☎ 01284 757500



www.sealey.co.uk



01284 703534



sales@sealey.co.uk