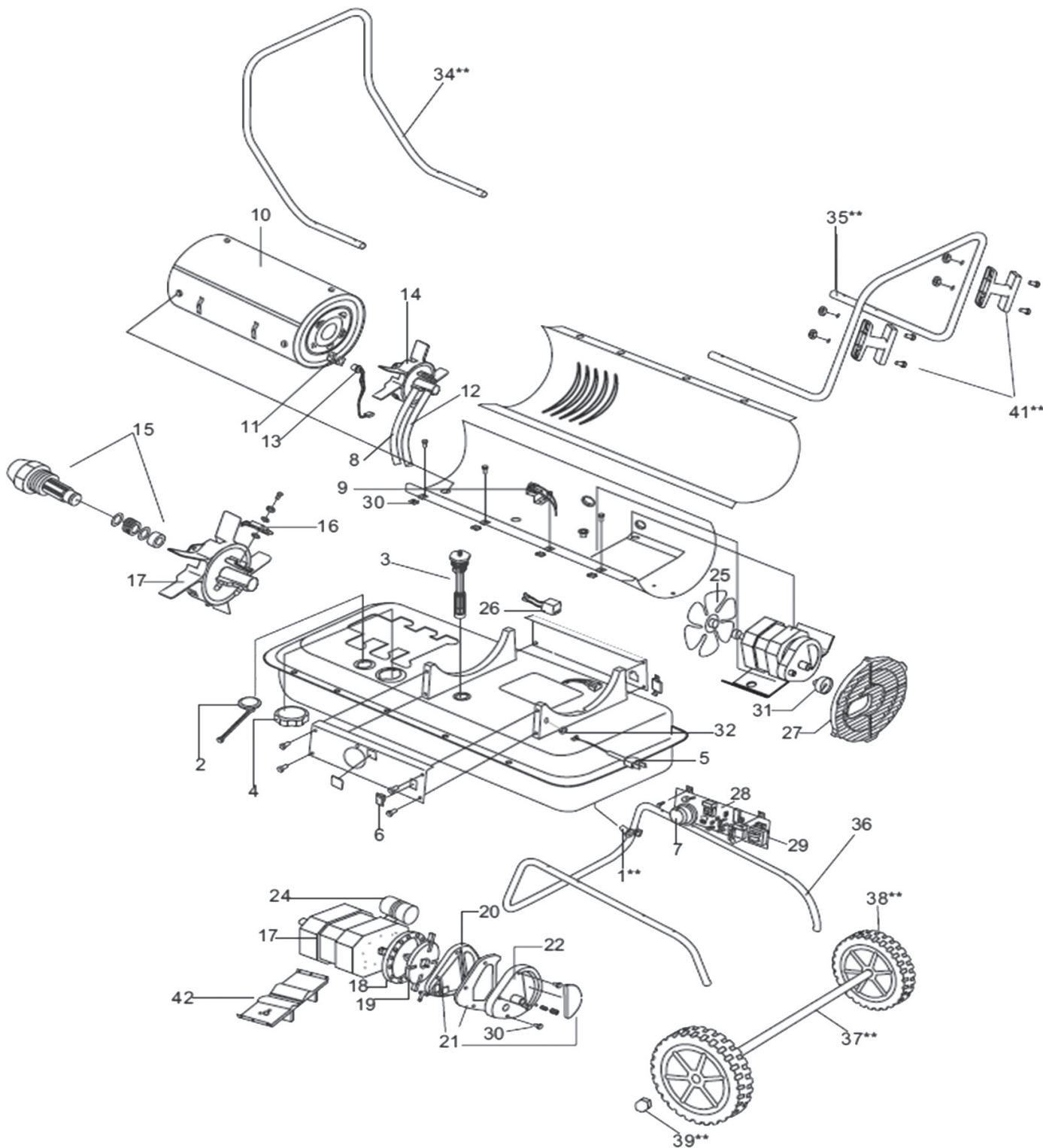




Parts Information:
Space Warmer® Paraffin/Kerosene/Diesel
Heater 100,000Btu/hr with Wheels
Model No: AB1008.V3



NOTE: It is our policy to continually improve products and as such we reserve the right to alter data, specifications and component parts without prior notice.

IMPORTANT: No liability is accepted for incorrect use of product.

WARRANTY: Guarantee is 12 months from purchase date, proof of which will be required for any claim.

Sealey Group, Kempson Way, Suffolk Business Park, Bury St Edmunds, Suffolk. IP32 7AR



01284 757500



01284 703534



sales@sealey.co.uk



www.sealey.co.uk



Parts Information:
**Space Warmer® Paraffin/Kerosene/Diesel
 Heater 100,000Btu/hr with Wheels
 Model No: AB1008.V3**

Item	Part No.	Description
1	P70-002-0105	DRAIN PLUG
2	P70-007-0210	FUEL GAUGE ASSEMBLY
3	P70-003-0200	FUEL FILTER ASS'Y
4	P70-006-0120	FUEL CAP ASS'Y (NEW CAP AND GASKET)33mm
6	P70-038-0110	POWER SWITCH (ROCKER)
7	P70-031-0100	THERMOSTAT CONTROL KNOB
8	P70-035-0300	AIR HOSE
9	P70-019-0205	TEMPERATURE LIMIT SWITCH
10	P70-011-0300	COMBUSTION CHAMBER
11	P70-010-0101	FLAME SENSOR BRACKET
12	P70-036-0300	FUEL HOSE
13	P70-016-0100	FLAME SENSOR
14	P70-014-0301	BURNER HEAD
15	P70-015-0300	NOZZLE
16	P70-052-0210	SPARK PLUG
17	P70-021-0511	MOTOR (Internal 230v 50hz)
18	P70-020-0401	PUMP BODY
19	P70-022-0200	ROTOR KIT 5/8" (c/w VANES/CLIP)
20	P70-020-0102	END PUMP COVER
21	P70-054-0100	FILTER KIT
22	P70-020-0103	END FILTER COVER

Item	Part No.	Description
24	P70-020-0221	CAPACITOR C65R 12uF 50/60hz 70x40
25	P70-024-0300	FAN ASSEMBLY
26	P70-037-0300	IGNITOR
27	P70-016-0200	FAN GUARD (PRE-2010)
28	P70-027-0220	MAIN PCB ASSEMBLY
29	P70-027-0120	FUSE
30	P70-001-0105	CLIP NUT
31	P70-025-0100	AIR PRESSURE GAUGE
32	P70-033-0200	CORD BUSHING
34	P70-042-0100	FRONT HANDLE
35	P70-043-0100	BACK HANDLE
36	P70-041-0101	WHEEL SUPPORT FRAME
37	P70-041-0103	WHEEL AXLE (57.5cm)
38	P70-041-1400	WHEEL, FIXED (250x12x55)
39	SN12.SD	STEEL NUT M12 DOMED (SINGLE)
41	P70-032-0200	CORD WRAP
42	P70-020-0610	SUPPORT PLATE
--	P70-001-1622	LOWER COVER
--	P70-001-1001	UPPER COVER
--	P70-008-0300	RIGHT SIDE COVER
--	P70-009-0200	LEFT SIDE COVER
--	P70-002-0200	FUEL TANK ASSEMBLY

NOTE: It is our policy to continually improve products and as such we reserve the right to alter data, specifications and component parts without prior notice.

IMPORTANT: No liability is accepted for incorrect use of product.

WARRANTY: Guarantee is 12 months from purchase date, proof of which will be required for any claim.

Sealey Group, Kempson Way, Suffolk Business Park, Bury St Edmunds, Suffolk. IP32 7AR



01284 757500



01284 703534



sales@sealey.co.uk



www.sealey.co.uk