



PLASTERBOARD CUTTER

MODEL NO: **AK860CT**

Thank you for purchasing a Sealey product. Manufactured to a high standard, this product will, if used according to these instructions, and properly maintained, give you years of trouble free performance.

IMPORTANT: PLEASE READ THESE INSTRUCTIONS CAREFULLY. NOTE THE SAFE OPERATIONAL REQUIREMENTS, WARNINGS & CAUTIONS. USE THE PRODUCT CORRECTLY AND WITH CARE FOR THE PURPOSE FOR WHICH IT IS INTENDED. FAILURE TO DO SO MAY CAUSE DAMAGE AND/OR PERSONAL INJURY AND WILL INVALIDATE THE WARRANTY. KEEP THESE INSTRUCTIONS SAFE FOR FUTURE USE.



Refer to instructions



Wear eye protection



Wear protective gloves



Wear safety footwear



Wear protective clothing



Wear a mask

1. SAFETY

- ❑ **WARNING!** The blade used by this cutter is sharp and should be treated with due caution.
- ✓ Store the cutter in a safe childproof place when not in use.
- ✓ Use in a suitable, clean and tidy work area, free from unrelated materials. Ensure there is adequate lighting.
- ✓ Seek professional advice / instruction if unsure of the use and application of this cutter
- ✗ **DO NOT** use cutter on hard reinforced materials. If the blade does not penetrate the material, then the material is too hard.
- ✗ **DO NOT** insert a finger into the cutting area at any time.
- ✗ **DO NOT** allow untrained people to use the cutter.
- ✗ **DO NOT** allow children to use or play with the cutter.
- ✗ **DO NOT** use the cutter for tasks it is not designed to perform.
- ✗ **DO NOT** operate cutter if any parts are damaged or missing as this may cause failure and/or personal injury.
- ✗ **DO NOT** modify or alter the cutter in any way.
- ✗ **DO NOT** operate the cutter when you are tired or under the influence of alcohol, drugs or intoxicating medication.

2. INTRODUCTION

Measure, mark and cut plasterboard, gypsum, KT board and drywall. Integral 5m tape measure and guide edge can be used to cut straight edges and circles with ease. Can either use pencil for marking, or retractable blade for cutting. Supplied with spare blades (our Model No. AK86/B) in handle compartment, and a carpenter's pencil.

3. SPECIFICATION

MODEL No.: **AK860CT**

4. OPERATION

4.1. BLADE FUNCTIONS (fig.1, fig.2)

NOTE: The blades, even when old or worn, can still damage you. Use appropriate PPE.

NOTE: Dispose of used blades in a safe manner.

4.1.1. To fit a new blade, unscrew the three retaining screws that hold the face plate in place.

4.1.2. Carefully remove a worn blade and replace with a new blade. Replace face plate and fix in place.

NOTE: Use only recommended replacement blades.

4.1.3. To lock or unlock the blade in position, press the blade lock button.

4.1.4. To expose or withdraw the blade, slide the Blade Slider as required.

4.2. SPARE BLADES (fig.2)

4.2.1. Spare blades are supplied and stored in the tool's handle.

4.2.2. Slide the Store Release Slider backwards and rotate out the storage compartment. Carefully remove the new blade.

4.2.3. Rotate the storage compartment back into the handle and fix in place by pushing the release slider forwards to engage it into the handle body.

4.3. CARPENTER'S PENCIL (fig.1)

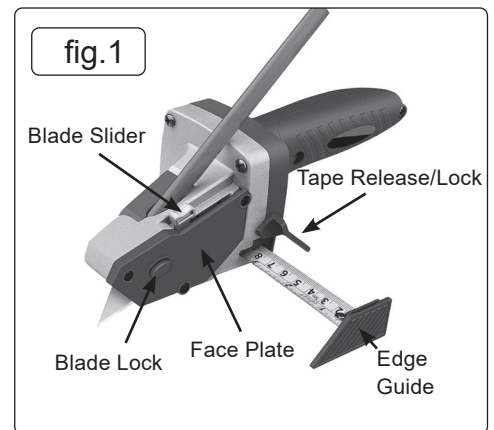
4.3.1. Loosen the two screws holding the pencil cover plate and insert/withdraw the pencil.

4.3.2. Retighten the cover plate when sufficient length of pencil is protruding.

4.4. EDGE GUIDE (fig.1)

4.4.1. To set the edge guide to the required distance, place the Tape Release lever in the up position and withdraw the tape to the required distance.

4.4.2. To lock the tape at the required distance, press the lever down.





ENVIRONMENT PROTECTION

Recycle unwanted materials instead of disposing of them as waste. All tools, accessories and packaging should be sorted, taken to a recycling centre and disposed of in a manner which is compatible with the environment. When the product becomes completely unserviceable and requires disposal, drain any fluids (if applicable) into approved containers and dispose of the product and fluids according to local regulations.

Note: It is our policy to continually improve products and as such we reserve the right to alter data, specifications and component parts without prior notice.

Important: No Liability is accepted for incorrect use of this product.

Warranty: Guarantee is 12 months from purchase date, proof of which is required for any claim.



REGISTER YOUR PURCHASE HERE

Sealey Group, Kempson Way, Suffolk Business Park, Bury St Edmunds, Suffolk. IP32 7AR



01284 757500



01284 703534



sales@sealey.co.uk



www.sealey.co.uk