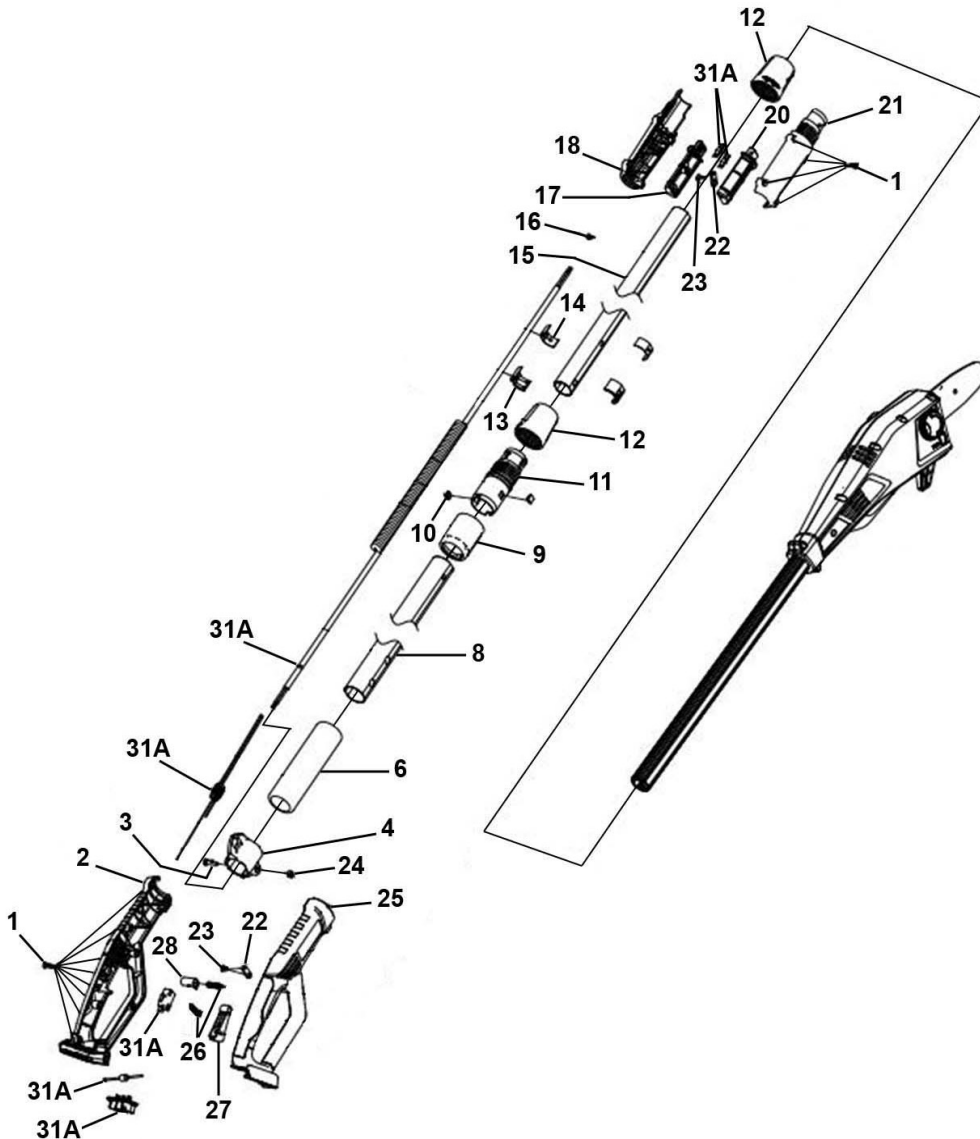




Parts Information:
**Cordless 20V Telescopic Pole for
 CP20VPSH/CP20VPHT
 Model No: CP20VTP**



| Item | Part No. | Description |
|------|---------------|---------------------------------|
| 1 | CP20VTP-01 | Tapping Screw for Handle Casing |
| 2+25 | CP20VTP-02+25 | Handle Casing Complete |
| 3 | CP20VTP-03 | Screw |
| 4 | CP20VTP-04 | End Hook |
| 6 | CP20VTP-06 | Tube Sleeve |
| 8 | CP20VTP-08 | Aluminium Tube |
| 9 | CP20VTP-09 | Sleeve Knob |
| 10 | CP20VTP-10 | Limit Block |
| 11 | CP20VTP-11 | Housing Knob |
| 12 | CP20VTP-12 | Knob |
| 13 | CP20VTP-13 | Aluminum Tube Collar-Tail |
| 14 | CP20VTP-14 | Aluminum Tube Clip |

| Item | Part No. | Description |
|-------|---------------|--------------------------------------|
| 15 | CP20VTP-15 | Aluminum Tube-Expansion End |
| 16 | CP20VTP-16 | Screw |
| 17+20 | CP20VTP-17+20 | Aluminum Tube Cover Complete (Inner) |
| 18+21 | CP20VTP-18+21 | Aluminum Tube Cover Complete (Outer) |
| 22 | CP20VTP-22 | Spool Board |
| 23 | CP20VTP-23 | Screw |
| 24 | CP20VTP-24 | Lock Nut |
| 26 | CP20VTP-26 | Switch Spring |
| 27 | CP20VTP-27 | Switch Button |
| 28 | CP20VTP-28 | Push Rod |
| 31A | CP20VTP-31A | Inductance Assembly |
| -- | CP20VTP-B | Belt (not shown) |

NOTE: It is our policy to continually improve products and as such we reserve the right to alter data, specifications and component parts without prior notice. There may be alternative versions of this product, please contact us should you require this information.

IMPORTANT: No liability is accepted for incorrect use of product. Spare parts must be fitted by a competent person

WARRANTY: Guarantee is 12 months from purchase date, proof of which will be required for any claim.

Sealey Group, Kempson Way, Suffolk Business Park, Bury St Edmunds, Suffolk. IP32 7AR



01284 757500



01284 703534



sales@sealey.co.uk



www.sealey.co.uk