

Item	Part No.	Description
1	M0201000006	FRAME
2	M0207000007	FRAME FOOT
3	M0299000396	TABLE
4	M0299000367	TABLE SUPPORT PIN (RED)
5	M0299000368	V-BLOCK
6	M0299000360	TABLE GRIP (RED)
7	M0299000384	V-BLOCK END COVER (RED)

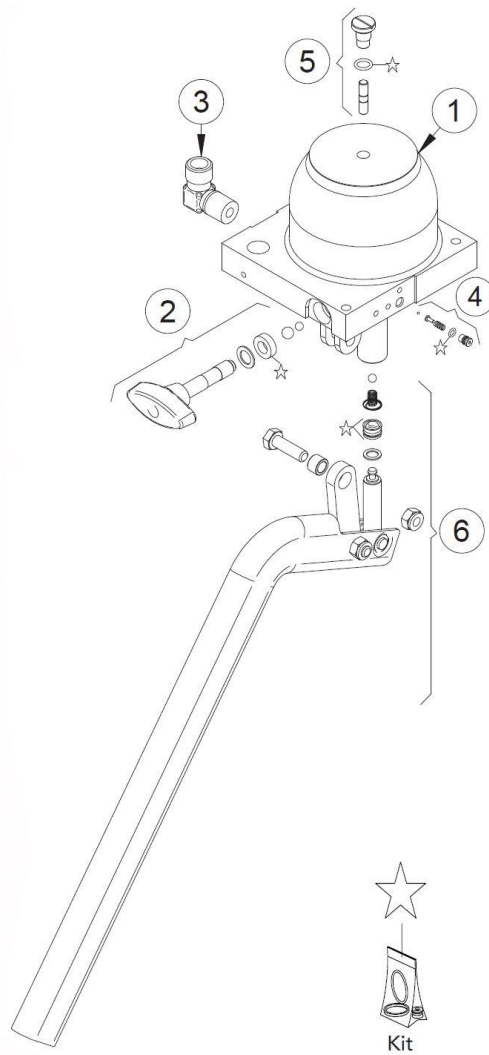
Item	Part No.	Description
8	M0316000063	BOTTOM TRAY (RED)
9	M010800055	RAM ASS'Y
10	M010900017	PUMP ASS'Y
11	M0299000359	SIDE COVER
12	M0320000025	PUMP HOSE
13	M0319000029	PRESSURE GAUGE 15tonne(BTM FITTING)
14	M0316000176	HANDLE GRIP (RED)

NOTE: It is our policy to continually improve products and as such we reserve the right to alter data, specifications and component parts without prior notice.

IMPORTANT: No liability is accepted for incorrect use of product.

WARRANTY: Guarantee is 12 months from purchase date, proof of which will be required for any claim.

PUMP PARTS:



Item	Part No.	Description
1	M0203000155	PUMP CASING
2	BM04-C11M	RELEASE KNOB ASS'Y
3	M0407000004	ELBOW CONNECTOR
4	MG-2/C9	SAFETY VALVE

Item	Part No.	Description
5	M0299000395	OIL FILLER PLUG ASS'Y
6	M0217000051	PUMP HANDLE ASS'Y
--	M0909000001	REPAIR KIT FOR PUMP ASS'Y (NOT SHOWN)

NOTE: It is our policy to continually improve products and as such we reserve the right to alter data, specifications and component parts without prior notice.

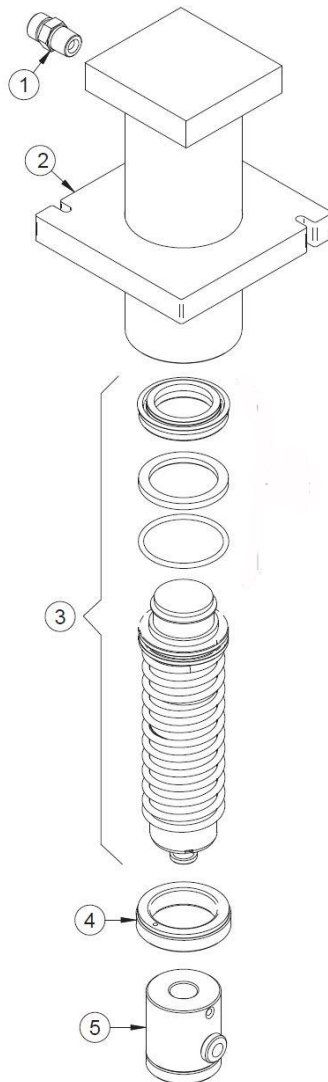
IMPORTANT: No liability is accepted for incorrect use of product.

WARRANTY: Guarantee is 12 months from purchase date, proof of which will be required for any claim.



Parts Information:
**Premier Hydraulic Press 15tonne Bench
Type
Model No: PPB15**

RAM PARTS:



Item	Part No.	Description
1	KCK-15-2121	CONNECTOR
2	M0203000158	CYLINDER CASING
3	CM-15-C14M	MAIN PISTON

Item	Part No.	Description
4	K-15-1102	CYLINDER NUT
5	KCK15A-C17M	RAM HEAD
--	M0908000001	REPAIR KIT FOR RAM ASS'Y (NOT SHOWN)

NOTE: It is our policy to continually improve products and as such we reserve the right to alter data, specifications and component parts without prior notice.

IMPORTANT: No liability is accepted for incorrect use of product.

WARRANTY: Guarantee is 12 months from purchase date, proof of which will be required for any claim.

Sealey Group, Kempson Way, Suffolk Business Park, Bury St Edmunds, Suffolk. IP32 7AR



01284 757500



01284 703534



sales@sealey.co.uk



www.sealey.co.uk