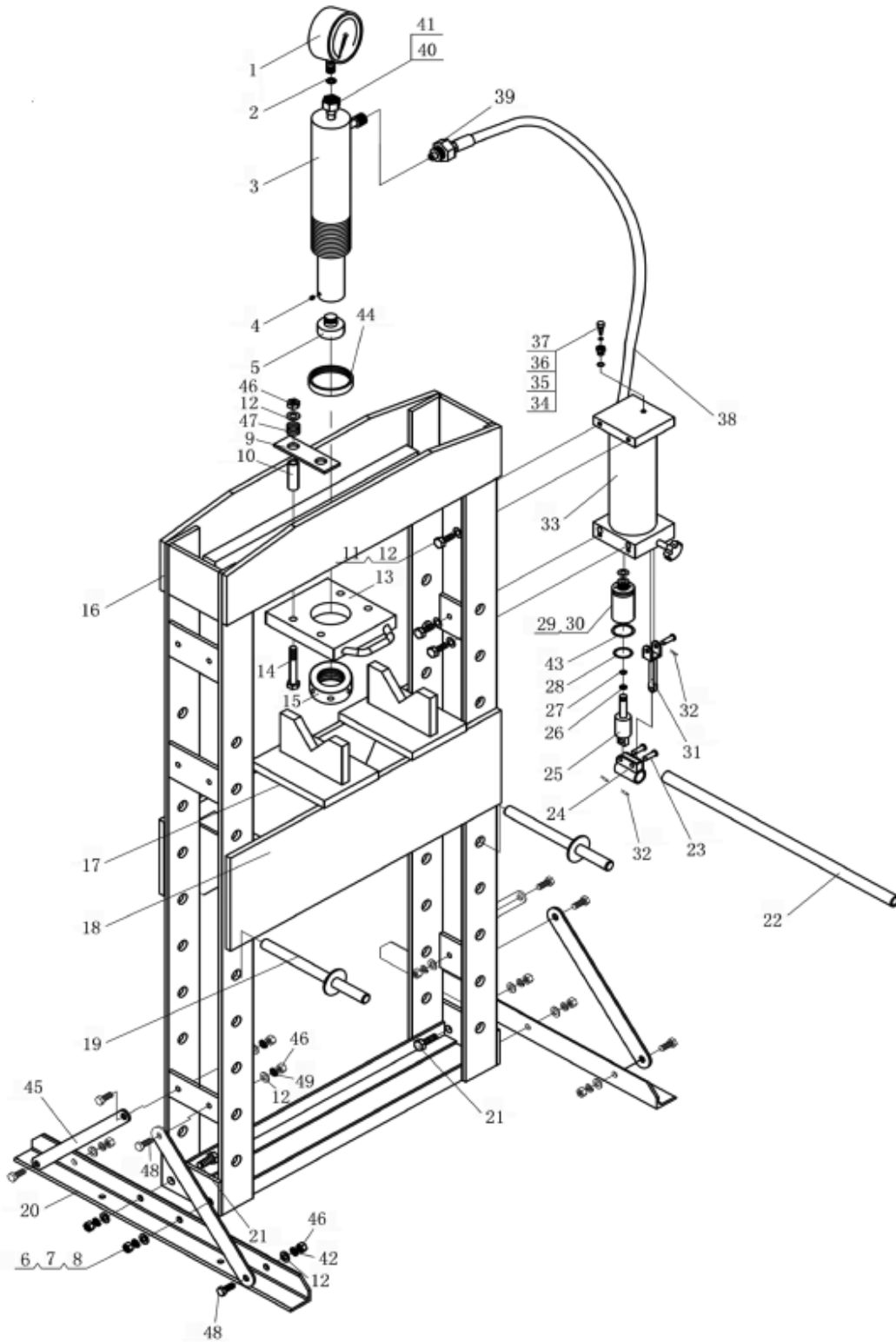




PARTS FOR :  
**HYDRAULIC PRESS 20TONNE FLOOR TYPE**  
MODEL : YK209F.V2



ISSUE : 1  
ISSUE DATE : 12/12/13

**NOTE:** It is our policy to continually improve products and as such we reserve the right to alter data, specifications and component parts without prior notice.

**IMPORTANT:** No liability is accepted for incorrect use of product.

**WARRANTY:** Guarantee is 12 months from purchase date, proof of which will be required for any claim.

**INFORMATION:** For a copy of our latest catalogue and promotions call us on 01284 757525 and leave your full name and address, including postcode.



Sole UK Distributor,  
Sealey Group, Kempson Way,  
Suffolk Business Park,  
Bury St Edmunds, Suffolk, IP32 7AR



01284 757500

01284 703534



[www.sealey.co.uk](http://www.sealey.co.uk)

[sales@sealey.co.uk](mailto:sales@sealey.co.uk)



PARTS FOR :  
**HYDRAULIC PRESS 20TONNE FLOOR TYPE**  
MODEL : **YK209F.V2**

ITEM	PART NO	DESCRIPTION
1	YK209F.V2-01	PRESSURE GAUGE
2	YK209F.V2-02	NYLON RING
3	YK209F.V2-03	RAM
4	YK209F.V2-04	SET SCREW
5	YK209F.V2-05	SADDLE (SERRATED)
6	YK209F.V2-06	NUT M12
7	YK209F.V2-07	LOCK WASHER
8	YK209F.V2-08	WASHER
9	YK209F.V2-09	WASHER
10	YK209F.V2-10	BUSHING
11	YK209F.V2-11	BOLT M10x20
12	YK209F.V2-12	WASHER
13	YK209F.V2-13	PLATE
14	YK209F.V2-14	BOLT
15	YK209F.V2-15	ROUND NUT, LOWER
16	YK209F.V2-16	BASE
17	YK209F.V2-17	V-BLOCK
18	YK209F.V2-18	BED FRAME
19	YK209F.V2-19	BED FRAME PIN
20	YK209F.V2-20	BASE SECTION
21	YK209F.V2-21	BOLT M12x30
22	YK209F.V2-22	JACK HANDLE
23	YK209F.V2-23	PIN
24	YK209F.V2-24	HANDLE SOCKET
25	YK209F.V2-25	PISTON (SMALL)
26	YK209F.V2-26	NYLON RING
27	YK209F.V2-27	O-RING
28	YK209F.V2-28	O-RING
29	YK209F.V2-29	SMALL RAM
30	YK209F.V2-30	WASHER
31	YK209F.V2-31	CONNECTING ROD
32	YK209F.V2-32	R-PIN
33	YK209F.V2-33	PUMP
34	YK209F.V2-34	NYLON RING
35	YK209F.V2-35	FILL PLUG
36	YK209F.V2-36	SEALING RING
37	YK209F.V2-37	BREATHE VALVE
38	YK209F.V2-38	HYDRAULIC HOSE
39	YK209F.V2-39	COUPLER
40	YK209F.V2-40	GAUGE COUPLER
41	YK209F.V2-41	GAUGE COUPLER NUT
42	YK209F.V2-42	LOCK WASHER
43	YK209F.V2-43	O-RING
44	YK209F.V2-44	ROUND NUT, UPPER
45	YK209F.V2-45	SUPPORT
46	YK209F.V2-46	NUT M10
47	YK209F.V2-47	SPRING
48	YK209F.V2-48	BOLT M10x30
49	YK209F.V2-49	WASHER M10

ISSUE : 1  
ISSUE DATE : 12/12/13

**NOTE:** It is our policy to continually improve products and as such we reserve the right to alter data, specifications and component parts without prior notice.

**IMPORTANT:** No liability is accepted for incorrect use of product.

**WARRANTY:** Guarantee is 12 months from purchase date, proof of which will be required for any claim.

**INFORMATION:** For a copy of our latest catalogue and promotions call us on 01284 757525 and leave your full name and address, including postcode.



Sole UK Distributor,  
Sealey Group, Kempson Way,  
Suffolk Business Park,  
Bury St Edmunds, Suffolk, IP32 7AR



01284 757500



01284 703534



[www.sealey.co.uk](http://www.sealey.co.uk)



[sales@sealey.co.uk](mailto:sales@sealey.co.uk)