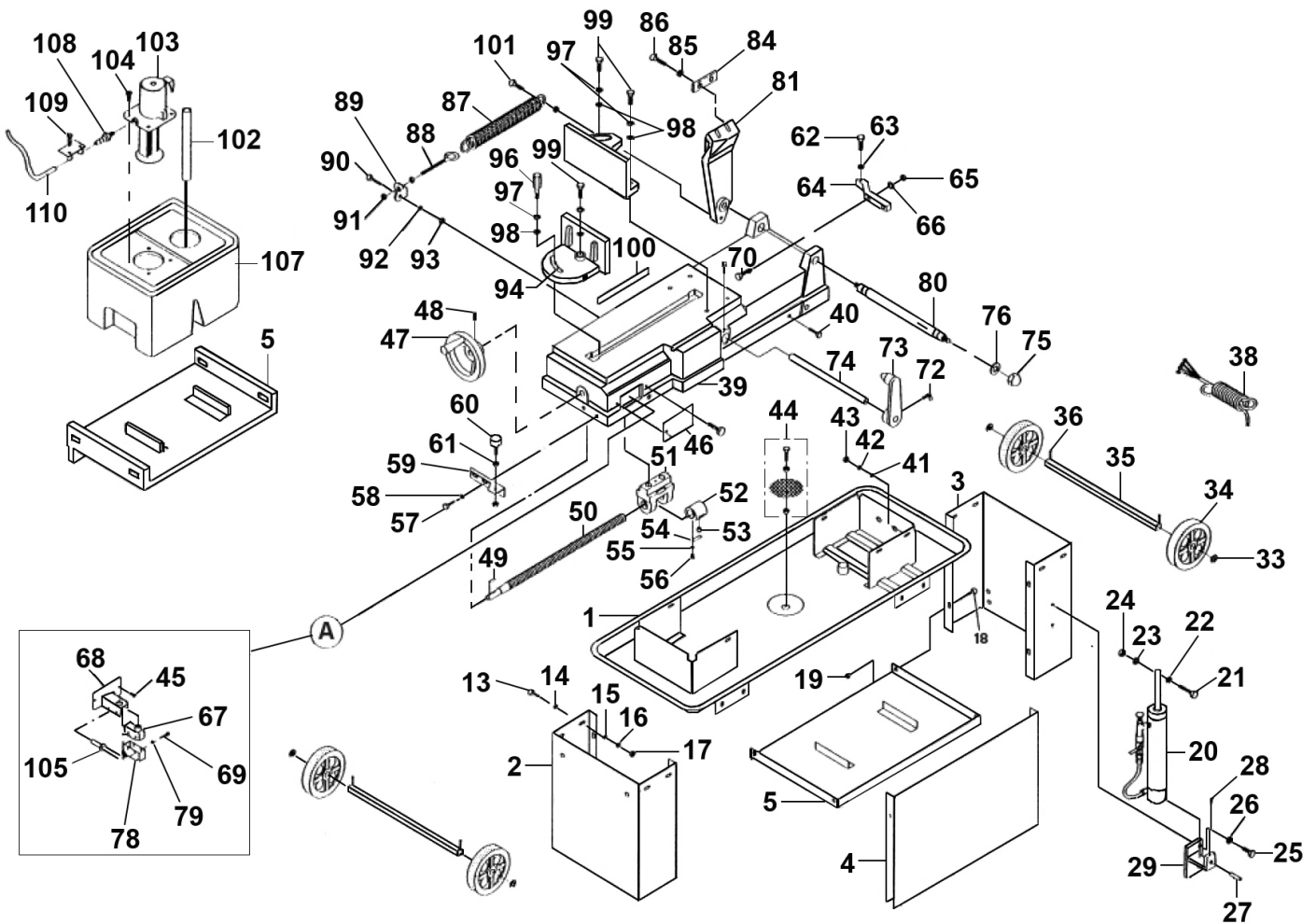


Parts Information:  
**Bandsaw 300mm Horizontal Hydraulic  
 Arm**  
**Model No: SM35CE.V3**



Item	Part No.	Description
1	SM35H/001	Pan
2	SM35H/002	Leg, left
3	SM35H/003	Leg, right
4	SM35H/004	Skirt
5	SM35H/005	Shelf
13	SM35H/013	Screw, hex head 5/16 x 3/4
14	SM35H/014	Washer, spring 5/16
15	SM35H/015	Washer, 5/16
16	SM35H/016	Washer, spring 5/16
17	SM35H/017	Nut, 5/16
18	SM35H/018	Screw, hex head 5/16 x 1/2
19	SM35H/019	Nut, 5/16
20	SM35H/020	Cylinder, arm lifting
21	SM35H/021	Screw, hex socket m10x40
22	SM35H/022	Washer, 3/8
23	SM35H/023	Washer, spring 3/8

Item	Part No.	Description
24	SN10.S	Steel Nut M10 Zinc
25	SM35H/025	Screw, hex head 3/8x1
26	SM35H/026	Washer, spring 3/8
27	SM35H/027	Rod, support
28	SM35H/028	Screw
29	SM35H/029	Support, bottom
33	SM35H/033	Washer
34	SM35H/034	Wheel, fixed plastic (D:125 W:23 B:16)
35	SM35H/035	Shaft, wheel
36	SM35H/036	Cotter pin
38	SM35H/038	Electric cord assy
39	SM35H/039	Table
40	SM35H/040	Screw, hex head 5/16 x 1
41	SM35H/041	Washer, 5/16
42	SM35H/042	Washer, spring 5/16
43	SM35H/043	Nut, 5/16

**NOTE:** It is our policy to continually improve products and as such we reserve the right to alter data, specifications and component parts without prior notice. There may be alternative versions of this product, please contact us should you require this information.

**IMPORTANT:** No liability is accepted for incorrect use of product. Spare parts must be fitted by a competent person

**WARRANTY:** Guarantee is 12 months from purchase date, proof of which will be required for any claim.



Parts Information:  
**Bandsaw 300mm Horizontal Hydraulic  
Arm**  
**Model No: SM35CE.V3**

Item	Part No.	Description
44	SM35H/044	Filter
45	SM35H/045	Screw, hex head 3/16x3/8
46	SM35H/046	Cover
47	SM35H/047	Wheel, vice handle
48	SM35H/048	Screw, hex head 5/16x1/2
49	SM35H/049	Key, 5mm
50	SM35H/050	Lead screw
51	SM35H/051	Seat, nut
52	SM35H/052	Nut, acme thread
53	SM35H/053	Button
54	SM35H/054	Retainer
55	SWM5.SB	Spring Washer M5 Black
56	MSP58.S	Machine Screw Pan Head Phillips M5 X 8mm
57	SM35H/057	Screw, hex head 5/16x3/4
58	SM35H/058	Washer, spring 5/16
59	SM35H/059	Plate
60	SM35H/060	Screw
61	SM35H/061	Nut, 5/16
62	SM35H/062	Screw, hex head 3/8x1-1/4
63	SM35H/063	Nut, 3/8
64	SM35H/064	Support,90
65	SM35H/065	Nut, 3/8
66	SM35H/066	Washer, spring 3/8
67	SM35H/067	Switch, limit (cut-off)
68	SM35CE/068	Plate, limit switch
70	SM35H/070	Screw hex head 3/8x1-1/2
71	SM35H/071	Screw
72	SM35H/072	Screw,thumb
73	SM35H/073	Block, stop
74	SM35H/074	Rod

Item	Part No.	Description
75	SM35H/075	Nut,1/2
76	SM35H/076	Washer, 1/2
78	SM35CE/078	Limit switch rubber cover
80	SM35H/080	Shaft, support
81	SM35H/081	Pivot arm (new type)
84	SM35H/084	Washer, 3/8
85	SM35H/085	Washer,spring
86	SM35H/086	Screw, hex head 3/8 x 1-1/2
87	SM35H/087	Spring (use sm35/091)
88	SM35H/088	Rod, spring adjusting
89	SM35H/089	Bracket
90	SM35H/090	Screw, hex head 5/16 x 1-1/4
91	SM35H/091	Nut, 5/16
92	SM35H/092	Washer, spring 5/16
93	SM35H/093	Nut, 5/16
94	SM35H/094	Vice, front
95	SM35H/095	Vice, rear
96	SM35H/096	Hex head screw, 3/8x1-1/4
97	SM35H/097	Washer, spring
98	SM35H/098	Washer
99	SM35H/099	Screw
100	SM35H/100	Scale
101	SM35H/101	Screw, hex head 1/4x1-1/2
102	SM35H/102	Hose
103	SM35H/103	Pump, coolant
104	SM35H/104	Screw, hex head 1/4x5/8
107	SM35CE/107	Coolant tank (moulded plastic container)
108	SM35H/108	Fitting, hose
109	SM35H/109	Clamp
110	SM35H/110	Hose

**NOTE:** It is our policy to continually improve products and as such we reserve the right to alter data, specifications and component parts without prior notice. There may be alternative versions of this product, please contact us should you require this information.

**IMPORTANT:** No liability is accepted for incorrect use of product. Spare parts must be fitted by a competent person

**WARRANTY:** Guarantee is 12 months from purchase date, proof of which will be required for any claim.

**Sealey Group**, Kempson Way, Suffolk Business Park, Bury St Edmunds, Suffolk. IP32 7AR



01284 757500



01284 703534

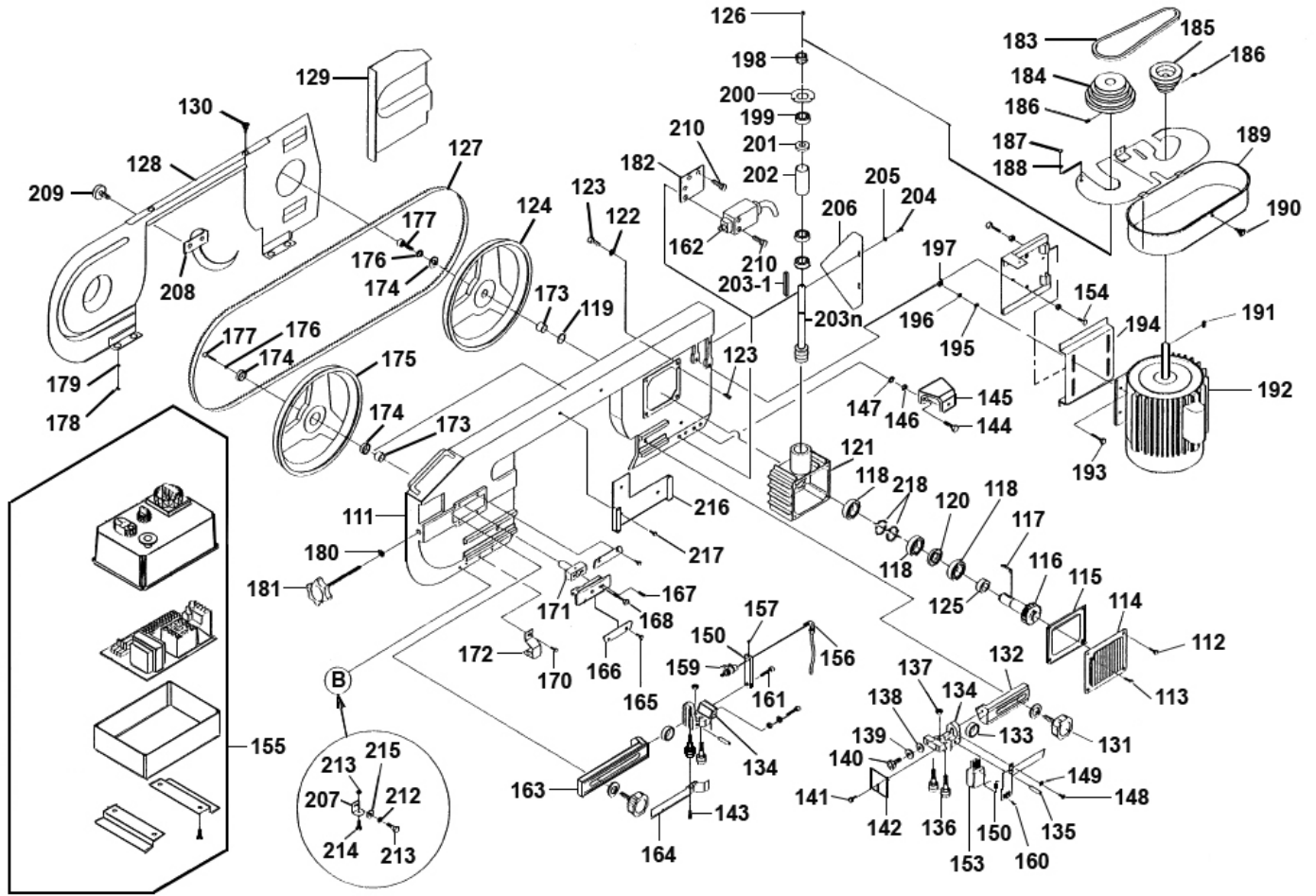


sales@sealey.co.uk



www.sealey.co.uk

## Parts Information: Bandsaw 300mm Horizontal Hydraulic Arm Model No: SM35CE.V3



Item	Part No.	Description
111	SM35H/111	Bow, saw
112	SM35H/112	Screw, hex head 1/4 x 5/8
113	SM35H/113	Plug
114	SM35H/114	Cover, gear box
115	SM35H/115	Gasket, gear box
116	SM35CE/116	Gear, worm
117	SM35H/117	Key, 6mm
118	B/6005	Bearing 6005
119	SM35H/119	Ext Circlip 28.1mm OD. (Use SA701.V2-03)
120	SM35H/120	Seal, oil
121	SM35H/121	Box, gear
122	SM35H/122	Washer, spring 5/16
123	SM35H/123	Screw, hex head 5/16 x 1
124	SM35CE/124	Wheel, rear, blade
125	SM35H/125	Washer
126	SM35H/126	Screw

Item	Part No.	Description
127	SM35/B04	Bandsaw Blade 2362 x 19 x 0.81mm 4tpi Skip Tooth
128	SM35H/128	Cover, blade, back
129	SM35H/129	Cover
130	SM35H/130	Screw, plum
131	SM35H/131	Knob, adjustable guide
132	SM35H/132	Bracket, rear adjustable
133	B/608ZZ	Bearing 608zz
134	SM35H/134	Seat, adjustable blade
135	SM35H/135	Pin, bearing
136	SM35H/136	Shaft, eccentric
137	SM38.UNFB	Nut, 3/8 x 24unf
138	SM35H/138	Washer
139	SM35H/139	Washer
140	SM35CE/140	Hex socket screw 5/16x1-8
141	SM35H/141	Screw, 1/4 x 3/8
142	SM35H/142	Plate, vertical cutting small

**NOTE:** It is our policy to continually improve products and as such we reserve the right to alter data, specifications and component parts without prior notice. There may be alternative versions of this product, please contact us should you require this information.

**IMPORTANT:** No liability is accepted for incorrect use of product. Spare parts must be fitted by a competent person

**WARRANTY:** Guarantee is 12 months from purchase date, proof of which will be required for any claim.



Parts Information:  
**Bandsaw 300mm Horizontal Hydraulic  
Arm**  
**Model No: SM35CE.V3**

Item	Part No.	Description
143	SM35H/143	Screw, round head
144	SM35H/144	Screw, hex head 3/8 x 1-1/4
145	SM35H/145	Support, top
146	SM35H/146	Washer, spring
147	SM35H/147	Nut, 3/8
148	SM35H/148	Screw, round head 1/4x1/2
149	SM35H/149	Washer, 1/4
150	SM35CE/150N	Rear blade guard
153	SM35CE/153	Brush
154	SM35H/154	Screw, hex head 5/16 x 1/2
155	SM35CE/155N	Control panel
156	SM35CE/156	Hose, plastic flexible
157	SM35H/157	Screw
158	SM35CE/158	Support,plastic hose
159	SM35CE/159	Valve
160	SM35H/160	Screw, round head 3/16x3/8
161	SM35H/161	Screw
162	SM35H/162	Switch, blade guard safety
163	SM35H/163	Bracket adjustable front
164	SM35CE/164N	Blade guard +brush ass'y
165	SM35H/165	Screw, hex head 1/4 x 1/2
166	SM35H/166	Plate, sliding guide
167	SM35H/167	Screw, set 5/16 x 3/4
169	SM35H/169	Sliding block blade tension
170	SM35H/170	Screw
171	SM35H/171	Block
172	SM35H/172	Bracket
173	SM35H/173	Bushing, bearing
174	B/6203ZZ	Bearing 6203zz
175	SM35H/175	Wheel, blade, front
176	SM35H/176	Washer
177	SM35H/177	Screw
178	SM35H/178	Screw
179	SM35H/179	Washer
180	SM35H/180	Washer, 3/8
181	SM35H/181	Handle, adjustable blade
183	V/K27.5	Belt,ribbed 8mm (id-700)
184	SM35H/184	Pulley, worm drive
185	SM35H/185	Pulley, motor
186	SM35H/186	Screw, set 5/16 x 3/8
187	SM35H/187	Screw, hex head 1/4 x 3/8
199	SM35H/188	Washer, 1/4
189	SM35H/189	Cover, pulley

Item	Part No.	Description
190	SM35H/190	Screw, plum
191	SM35H/191	Key, 5mm
192	SM35H/192	Motor (External 1 phase 1hp 240v 50hz)
193	SM35H/193	Screw, hex head 5/16 x 1-1/4
194	SM35H/194	Plate, motor mount
195	SM35H/195	Washer
196	SM35H/196	Washer, spring, 5/16
197	SM35H/197	Nut, 5/16
198	SM35CE.198N	Worm shaft stopper
199	B/6003	Bearing 6003
200	SM35H/200	C-ring, r-35
201	SM35H/201	Seal, oil
202	SM35H/202	Bushing, bearing
203n	SM35CE.203N	Worm shaft
203-1	SM35CE.203-1	Key 5 x 5 x 50
204	SM35H/204	Screw, hex head 1/4 x 1/2
205	SM35H/205	Washer, 1/4
206	SM35H/206	Plate, support
207	SM35CE/207	Limit switch rack
208	SM35H/208	Plate stop limit switch
209	SM35H/209	Screw, round head
210	SM35H/210	Screw, round head
211	SM35CE/211	Plate, blade guard
212	SM35CE/212	Screw, round head
213	SM35CE/213	Nut
214	SM35CE/214	Screw
215	SM35CE/215	Washer
216	SM35CE/216N	Support plate
217	SM35CE/217	Screw
218	SM35CE.218	C-ring r49
--	SM35/CE/G	Bandsaw blade guard (N/S)
--	SM35CE/CC	Capacitor cover (N/S)
--	SM35CE/EB	Electric box cover (N/S)
--	SM35CE/FC	Fan cover (N/S)
--	SM35/005-4	Motor fan cover (N/S)
--	SM35/B08	Bandsaw Blade 2362 x 19 x 0.81mm 8tpi (N/S)
--	SM35/B14	Bandsaw Blade 2362 x 19 x 0.81mm 14tpi(N/S)
--	SM35/B14-BIM	Bandsaw blade bi-metal 2362 x 19 x 0.81mm 14tpi(N/S)
--	SM35/B18	Bandsaw Blade 2362 x 19 x 0.81mm 18tpi(N/S)
--	SM35/B24	Bandsaw Blade 2362 x 19 x 0.81mm (N/S)
--	SM35H/136A	Shaft non eccentric(N/S)
--	SM35CE/153N	Brush assembly(N/S)

**NOTE:** It is our policy to continually improve products and as such we reserve the right to alter data, specifications and component parts without prior notice. There may be alternative versions of this product, please contact us should you require this information.

**IMPORTANT:** No liability is accepted for incorrect use of product. Spare parts must be fitted by a competent person

**WARRANTY:** Guarantee is 12 months from purchase date, proof of which will be required for any claim.

**Sealey Group**, Kempson Way, Suffolk Business Park, Bury St Edmunds, Suffolk. IP32 7AR



01284 757500



01284 703534



sales@sealey.co.uk



www.sealey.co.uk