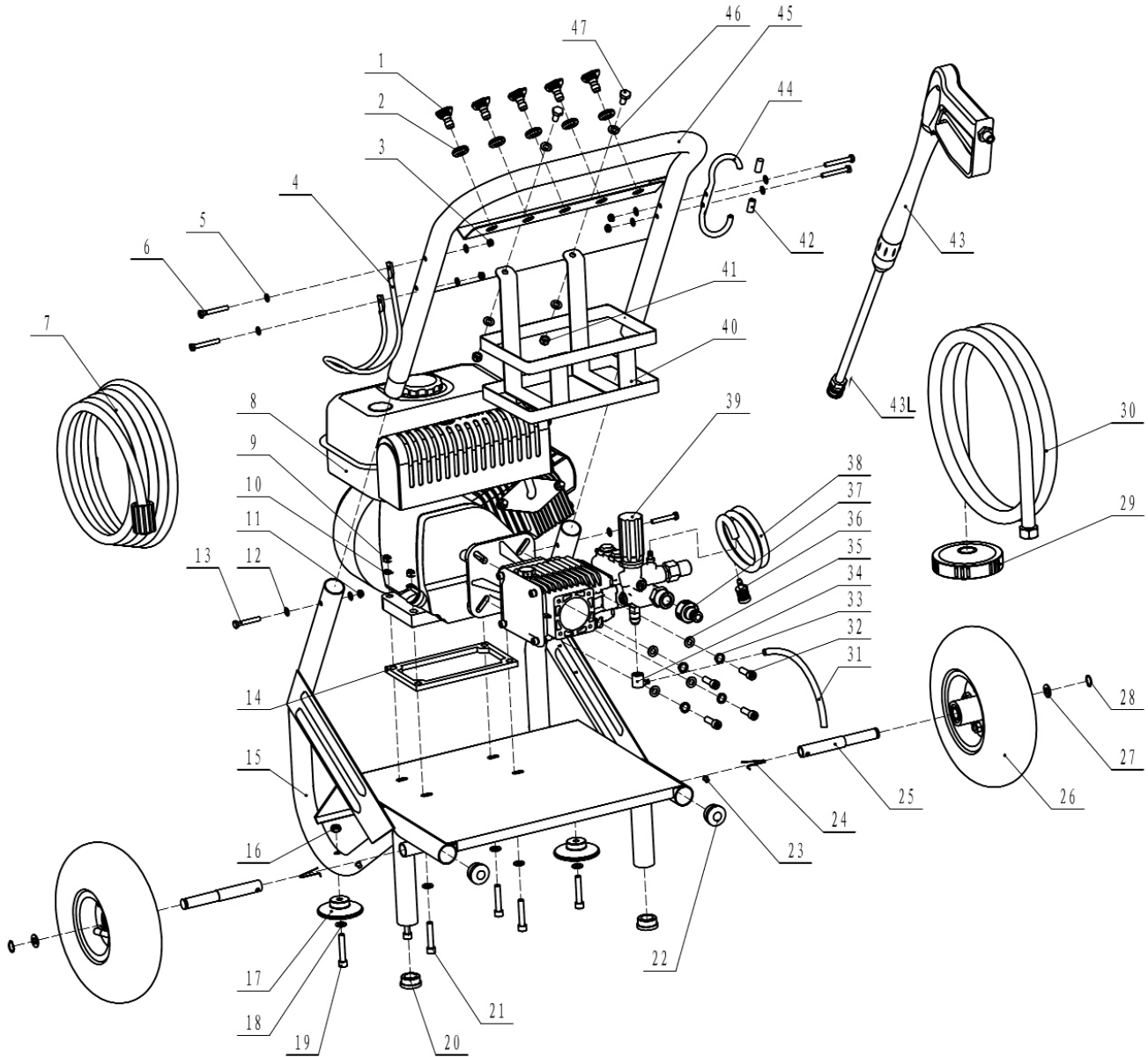




Parts Information:
Pressure Washer 220bar 600ltr/hr
Self-Priming 6.5hp Petrol
Model No: PWM2500SP



NOTE: It is our policy to continually improve products and as such we reserve the right to alter data, specifications and component parts without prior notice.

IMPORTANT: No liability is accepted for incorrect use of product.

WARRANTY: Guarantee is 12 months from purchase date, proof of which will be required for any claim.

Sealey Group, Kempson Way, Suffolk Business Park, Bury St Edmunds, Suffolk. IP32 7AR



01284 757500



01284 703534



sales@sealey.co.uk



www.sealey.co.uk



Parts Information:
Pressure Washer 220bar 600ltr/hr
Self-Priming 6.5hp Petrol
Model No: PWM2500SP

Item	Part No.	Description
1	PWDM3600.40B	NOZZLE (BLACK)
1	PWDM3600.40G	NOZZLE (GREEN)
1	PWDM3600.40R	NOZZLE (RED)
1	PWDM3600.40W	NOZZLE (WHITE)
1	PWDM3600.40Y	NOZZLE (YELLOW)
2	PWM2500SP.F02	FRAME NOZZLE SLEEVE
3	NLN6.S	NYLOC NUT M6 ZINC DIN 985 (SINGLE)
4	PWM2500SP.F04	HOSE HOOK
5	PWM2500SP.F05	FLAT WASHER 6mm
6	PWM2500SP.F06	SCREW (M6x45)
7	PWM2500SP.F07	HIGH PRESSURE HOSE
8	PWM2500SP.F08	PETROL ENGINE 6.5hp
9	NLN8.S	NYLOC NUT M8 ZINC DIN 985 (SINGLE)
10	PWM2500SP.F10	FLAT WASHER 8mm
11	NLN6.S	NYLOC NUT M6 ZINC DIN 985 (SINGLE)
12	PWM2500SP.F12	FLAT WASHER 6mm
13	PWM2500SP.F13	SCREW (M6x40)
14	PWM2500SP.F14	ENGINE MOUNT RUBBER GASKET
15	PWM2500SP.F15	FRAME BASE
16	NLN8.S	NYLOC NUT M8 ZINC DIN 985 (SINGLE)
17	PWM2500SP.F17	RUBBER FOOT
18	PWM2500SP.F18	WASHER
19	PWM2500SP.F19	SCREW (M8x45)
20	PWM2500SP.F20	RUBBER PLUG

Item	Part No.	Description
21	PWM2500SP.F21	SCREW (M8x40)
22	PWM2500SP.F22	RUBBER PLUG
23	PWM2500SP.F23	CLIP
24	PWM2500SP.F24	R-RIN
25	PWM2500SP.F25	WHEEL AXLE
26	PWDM3600.18	WHEEL 4.10x3.50-4 16mm bore
27	PWM2500SP.F27	FLAT WASHER 16mm
28	PWM2500SP.F28	CIRCLIP
29	PWM2500SP.F29	WATER SUCTION FILTER
30	PWM2500SP.F30	WATER SUCTION HOSE
31	PWM2500SP.F31	DRAIN PIPE
32	SCB825.SB	SOCKET HEAD CAP SCREW M8x25 BLACK
33	SWM8.S	SPRING WASHER M8 ZINC (SINGLE)
34	PWM2500SP.F34	THERMAL RELIEF CAP
35	PWM2500SP.F35	FLAT WASHER 8mm
36	PWM2500SP.F36	WATER FILTER
37	PWM2500SP.F37	WATER INLET
38	PWM2500SP.F38	INJECTION HOSE
39	PWM2500SP.F39	PUMP ASSEMBLY
40	PWM2500SP.F40	DETERGENT HOLDER
41	NLN8.S	NYLOC NUT M8 ZINC DIN 985 (SINGLE)
42	PWM2500SP.F42	GUN HOOK SHEATH
43	PWM2500SP.F43	PRESSURE GUN

NOTE: It is our policy to continually improve products and as such we reserve the right to alter data, specifications and component parts without prior notice.

IMPORTANT: No liability is accepted for incorrect use of product.

WARRANTY: Guarantee is 12 months from purchase date, proof of which will be required for any claim.

Sealey Group, Kempson Way, Suffolk Business Park, Bury St Edmunds, Suffolk. IP32 7AR



01284 757500



01284 703534



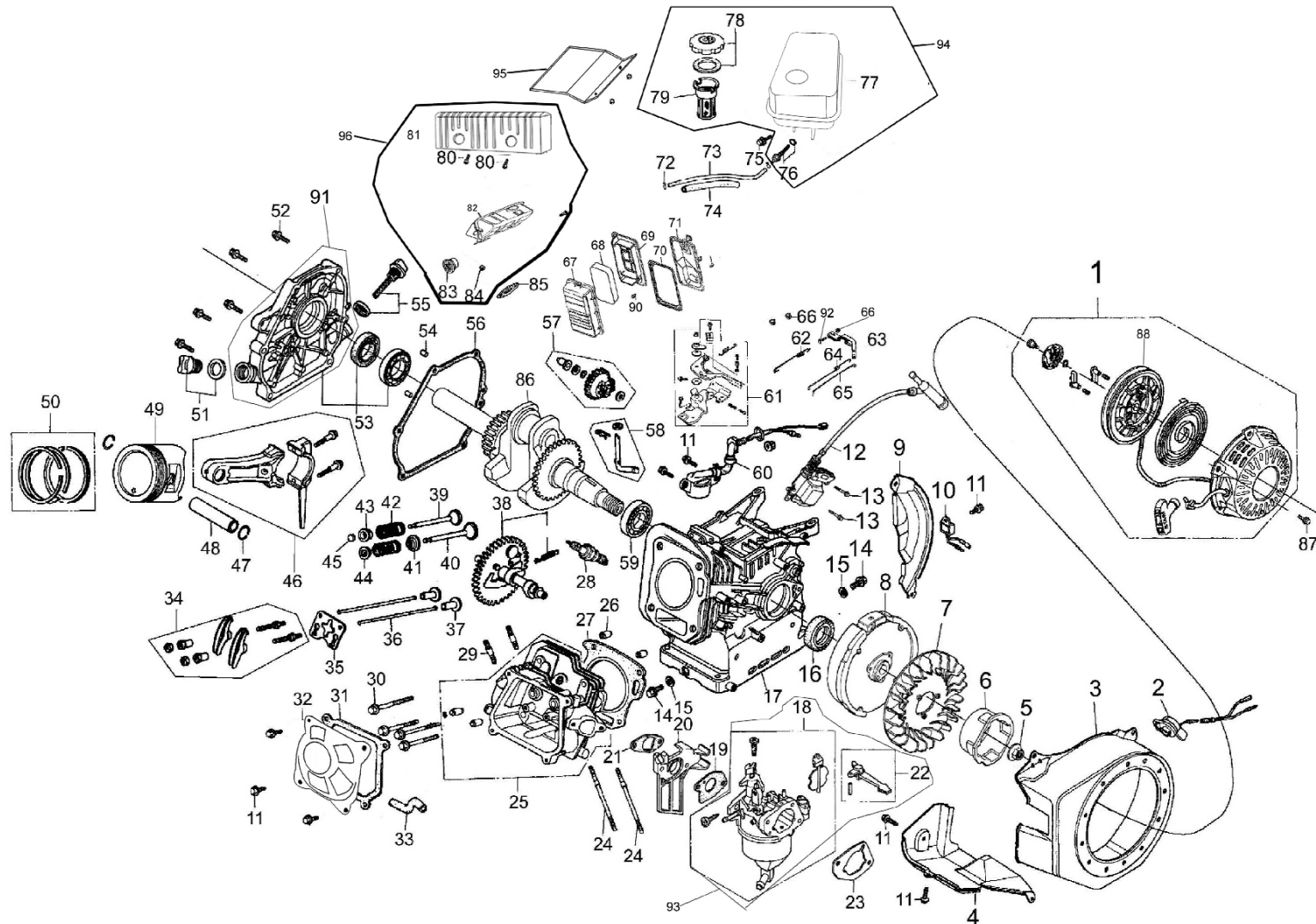
sales@sealey.co.uk



www.sealey.co.uk



Parts Information:
Pressure Washer 220bar 600ltr/hr Self-Priming 6.5hp Petrol
Model No: PWM2500SP



NOTE: It is our policy to continually improve products and as such we reserve the right to alter data, specifications and component parts without prior notice.

IMPORTANT: No liability is accepted for incorrect use of product.

WARRANTY: Guarantee is 12 months from purchase date, proof of which will be required for any claim.

Sealey Group, Kempson Way, Suffolk Business Park, Bury St Edmunds, Suffolk. IP32 7AR



01284 757500



01284 703534



sales@sealey.co.uk



www.sealey.co.uk



Parts Information:
Pressure Washer 220bar 600ltr/hr
Self-Priming 6.5hp Petrol
Model No: PWM2500SP

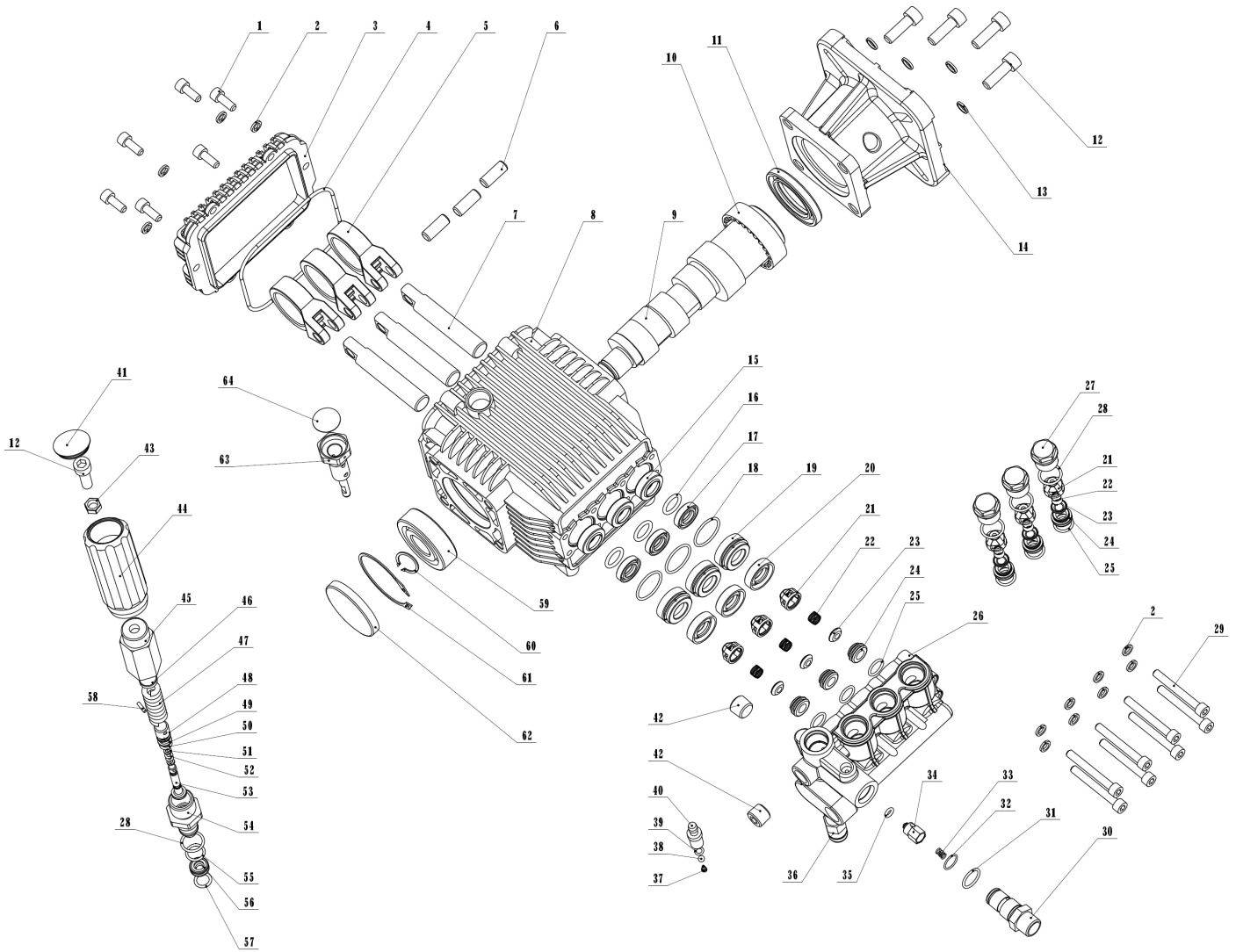
Item	Part No.	Description
1	PWM2500SP.E01	RECOIL STARTER COMPLETE
2	PWM2500SP.E02	ENGINE SWITCH
3	PWM2500SP.E03	FAN COVER COMPLETE
4	PWM2500SP.E04	SHROUD COMPLETE
5	SN14.S	STEEL NUT M14 ZINC DIN934(SINGLE)
6	PWM2500SP.E06	STARTER PULLEY
7	PWM2500SP.E07	COOLING FAN
8	PWM2500SP.E08	FLYWHEEL COMPLETE
9	PWM2500SP.E09	SIDE PLATE
10	PWM2500SP.E10	DIODE
11	PWM2500SP.E11	FLANGE BOLT (M6x12)
12	PWM2500SP.E12	IGNITION COIL ASS'Y
13	PWM2500SP.E13	FLANE BOLT (M6x25)
14	PWM2500SP.E14	DRAIN BOLT
15	PWM2500SP.E15	DRAIN WASHER
16	PWM2500SP.E16	OIL SEAL (25x41.25x6)
17	PWM2500SP.E17	CRANKCASE ASS'Y
18	PWM2500SP.E93	CARBURETOR ASS'Y
19	PWM2500SP.E19	CARBURETOR GASKET
20	PWM2500SP.E20	CARBURETOR INSULATOR
21	PWM2500SP.E21	INSULATOR PACKING
22	PWM2500SP.E22	CHOKE LEVEL COMPLETE
23	PWM2500SP.E23	AIR CLEANER PACKING
24	PWM2500SP.E24	BOLT HEAD (M6x112)
25	PWM2500SP.E25	CLYINDER HEAD COMPLETE
26	PWM2500SP.E26	DOWEL PIN (10x16)
27	PWM2500SP.E27	CYLINDER HEAD GASKET
28	PWM2500SP.E28	SPARK PLUG
29	PWM2500SP.E29	BOLT HEAD (M8x35)
30	PWM2500SP.E30	FLANGE BOLT (M8x55)
31	PWM2500SP.E31	CYLINDER HEAD COVER GASKET
32	PWM2500SP.E32	CYLINDER HEAD COVER COMPLETE
33	PWM2500SP.E33	BREATHER
34	PWM2500SP.E34	VALVE ROCKER ARM ASS'Y
35	PWM2500SP.E35	PUSHROD GUIDE PLATE
36	PWM2500SP.E36	PUSHROD
37	PWM2500SP.E37	VALVE LIFTER
38	PWM2500SP.E38	CAMSHAFT ASS'Y
39	PWM2500SP.E39	VALVE, EXHAUST
40	PWM2500SP.E40	VALVE, INTAKE
41	PWM2500SP.E41	VALVE SPRING SEAT
42	PWM2500SP.E42	VALVE SPRING
43	PWM2500SP.E43	VALVE SPRING RETAINER, EX
44	PWM2500SP.E44	VALVE SPRING RETAINER, IN
45	PWM2500SP.E45	VALVE ROTATOR
46	PWM2500SP.E46	PISTON PIN
47	PWM2500SP.E47	PISTON PIN CLIP
48	PWM2500SP.E48	PISTON PIN
49	PWM2500SP.E49	PISTON

Item	Part No.	Description
50	PWM2500SP.E50	PISTON RING SET
51	PWM2500SP.E51	OIL CAP
52	PWM2500SP.E52	FLANGE BOLT (M8x32)
53	PWM2500SP.E53	OIL SEAL (25x41.25x6)
54	PWM2500SP.E54	DOWEL PIN (8x14)
55	PWM2500SP.E55	OIL FILLER CAP ASS'Y
56	PWM2500SP.E56	CASE COVER PACKING
57	PWM2500SP.E57	GOVERNOR ASS'Y
58	PWM2500SP.E58	GOVERNOR SHAFT ASS'Y
59	PWM2500SP.E59	RADIAL BEARING (6025)
60	PWM2500SP.E60	OIL LEVEL SWITCH ASS'Y
61	PWM2500SP.E61	CONTROL ASS'Y
62	PWM2500SP.E62	GOVERNOR SPRING
63	PWM2500SP.E63	GOVERNOR ARM
64	PWM2500SP.E64	THROTTLE RETURN SPRING
65	PWM2500SP.E65	GOVERNOR ROD
66	SN6.S	STEEL NUT M6 ZINC DIN934 (SINGLE)
67	PWM2500SP.E67	AIR CLEANER FRONT CASE
68	PWM2500SP.E68	AIR CLEANER SEPARATOR
69	PWM2500SP.E69	AIR CLEANER ELEMENT (INCL PARTS 67/68/70&71)
70	PWM2500SP.E70	AIR CLEANER COVER
71	PWM2500SP.E71	AIR CLEANER SET
72	PWM2500SP.E72	OIL TUBE CLIP
73	PWM2500SP.E73	OIL TUBE (4x8x150)
74	PWM2500SP.E75	SCREW (M6x28)
75	PWM2500SP.E76	FUEL TANK JOINT
76	PWM2500SP.E77	FUEL TANK
77	PWM2500SP.E78	FUEL TANK CAP
78	PWM2500SP.E79	FUEL FILTER
79	PWM2500SP.E80	TAPPING SCREW (M5x8)
80	PWM2500SP.E81	MUFFLER PROTECTOR
81	PWM2500SP.E82	MUFFLER
82	PWM2500SP.E83	SPARK ARRESTER
83	SN8.S	STEEL NUT M8 ZINC DIN934 (SINGLE)
84	PWM2500SP.E85	FUEL PIPE, EX
85	PWM2500SP.E86	CRANKSHAFT COMPLETE
86	PWM2500SP.E87	SCREW (M6x12)
87	PWM2500SP.E88	RATCHET GUIDE PLATE
88	PWM2500SP.E89	SCREW (M6x12)
89	PWM2500SP.E90	SCREW (M6x12)
90	PWM2500SP.E91	CRANKCASE COVER ASS'Y
91	PWM2500SP.E92	SCREW (M6x21)
92	PWM2500SP.E93	CARBURETOR ASS'Y
93	PWM2500SP.E94	FUEL TANK
94	GG1100.38	FUEL SWITCH
95	PWM2500SP.E95	FUEL TANK SUPPORT
96	PWM2500SP.E96	MUFFLER ASS'Y





Parts Information:
Pressure Washer 220bar 600ltr/hr
Self-Priming 6.5hp Petrol
Model No: PWM2500SP



NOTE: It is our policy to continually improve products and as such we reserve the right to alter data, specifications and component parts without prior notice.

IMPORTANT: No liability is accepted for incorrect use of product.

WARRANTY: Guarantee is 12 months from purchase date, proof of which will be required for any claim.

Sealey Group, Kempson Way, Suffolk Business Park, Bury St Edmunds, Suffolk. IP32 7AR



01284 757500



01284 703534



sales@sealey.co.uk



www.sealey.co.uk



Parts Information:
Pressure Washer 220bar 600ltr/hr
Self-Priming 6.5hp Petrol
Model No: PWM2500SP

Item	Part No.	Description
1	SCB616.SB	SOCKET HEAD CAP SCREW M6x16 BLACK
2	SWM6.S	SPRING WASHER M6 ZINC (SINGLE)
3	PWM2500SP.P03	CRANK CASE COVER
4	PWM2500SP.P04	CRANKCASE COVER SEAL
5	PWM2500SP.P05	PLUNGER CONNECTING RING
6	PWM2500SP.P06	LOCATING PIN
7	PWM2500SP.P07	PLUNGER
8	PWM2500SP.P08	CRANK CASE
9	PWM2500SP.P09	CRANK SHAFT
10	B/4516Z	BEARING 4516Z
11	PWM2500SP.P11	CRANK SHAFT OIL SEAL (40x52x7)
12	PWM2500SP.P12	HEX BOLT (M8x25)
13	PWM2500SP.P13	SPRING WASHER (8mm)
14	PWM2500SP.P14	CONNECTING FLANGE
15	PWM2500SP.P15	PLUNGER OIL SEAL (15x25x7)
16	PWM2500SP.P16	O-RING (14x2.6)
17	PWM2500SP.P17	Y-SEAL (15x22x5)
18	PWM2500SP.P18	O-RING (23x1.8)
19	PWM2500SP.P19	GUIDE SLEEVE
20	PWM2500SP.P20	WATER SEAL (15x25x7)
21	PWM2500SP.P21	CHECK VALVE COVER
22	PWM2500SP.P22	CHECK VALVE SPRING
23	PWM2500SP.P23	CHECK VALVE PLATE
24	PWM2500SP.P24	SUPPORT RING
25	PWM2500SP.P25	O-RING (12.4x1.8)
26	PWM2500SP.P26	PUMP BLOCK
27	PWM2500SP.P27	PLUG
28	PWM2500SP.P28	O-RING (15.4x1.8)
29	PWM2500SP.P29	HEX BOLT (M6x50)
30	PWM2500SP.P30	OUTLET CONNECTOR
31	PWM2500SP.P31	O-RING (14x1.8)
32	PWM2500SP.P32	O-RING (12.4x1.8)
33	PWM2500SP.P33	VALVE SPRING

Item	Part No.	Description
34	PWM2500SP.P34	CHECK VALVE ROD
35	PWM2500SP.P35	O-RING (5x2)
36	PWM2500SP.P36	THERMAL RELIEF PROTECTOR
37	PWM2500SP.P37	VALVE SPRING
38	SB-5.0	STEEL BALL 5.0mm
39	PWM2500SP.P39	O-RING (4x1.5)
40	PWM2500SP.P40	CHECK VALVE BODY
41	PWM2500SP.P41	HANDLE COVER
42	PWM2500SP.P42	SEALING SCREW
43	PWM2500SP.P43	HEX NUT M8 STAINLESS STEEL
44	PWM2500SP.P44	PRESSURE ADJUSTING HANDLE
45	PWM2500SP.P45	VALVE COVER
46	PWM2500SP.P46	SPRING SEAT
47	PWM2500SP.P47	PRESSURE ADJUSTING SPRING
48	PWM2500SP.P48	VALVE HEAD
49	PWM2500SP.P49	CHECK RING (8x11x1.3)
50	PWM2500SP.P50	O-RING (6.6x1.8)
51	PWM2500SP.P51	CHECK RING (3.1x6x1.3)
52	PWM2500SP.P52	O-RING (3.1x6x1.3)
53	PWM2500SP.P53	VALVE CORE
54	PWM2500SP.P54	VALVE SHEATH
55	PWM2500SP.P55	O-RING (12x2)
56	PWM2500SP.P56	BYPASS VALVE SEAT
57	PWM2500SP.P57	O-RING (10x2)
58	PWM2500SP.P58	PIN
59	B/6304	BEARING 6304
60	PWM2500SP.P60	CIRCLIP
61	PWM2500SP.P61	CIRCLIP
62	PWM2500SP.P62	END COVER
63	PWM2500SP.P63	DIPSTICK
64	PWM2500SP.P64	DIPSTICK COVER
--	PWM2500SP.P65	LARGE CONNECTOR
--	PWM2500SP.UV	UNLOADER VALVE ASS'Y

NOTE: It is our policy to continually improve products and as such we reserve the right to alter data, specifications and component parts without prior notice.

IMPORTANT: No liability is accepted for incorrect use of product.

WARRANTY: Guarantee is 12 months from purchase date, proof of which will be required for any claim.

Sealey Group, Kempson Way, Suffolk Business Park, Bury St Edmunds, Suffolk. IP32 7AR



01284 757500



01284 703534



sales@sealey.co.uk



www.sealey.co.uk