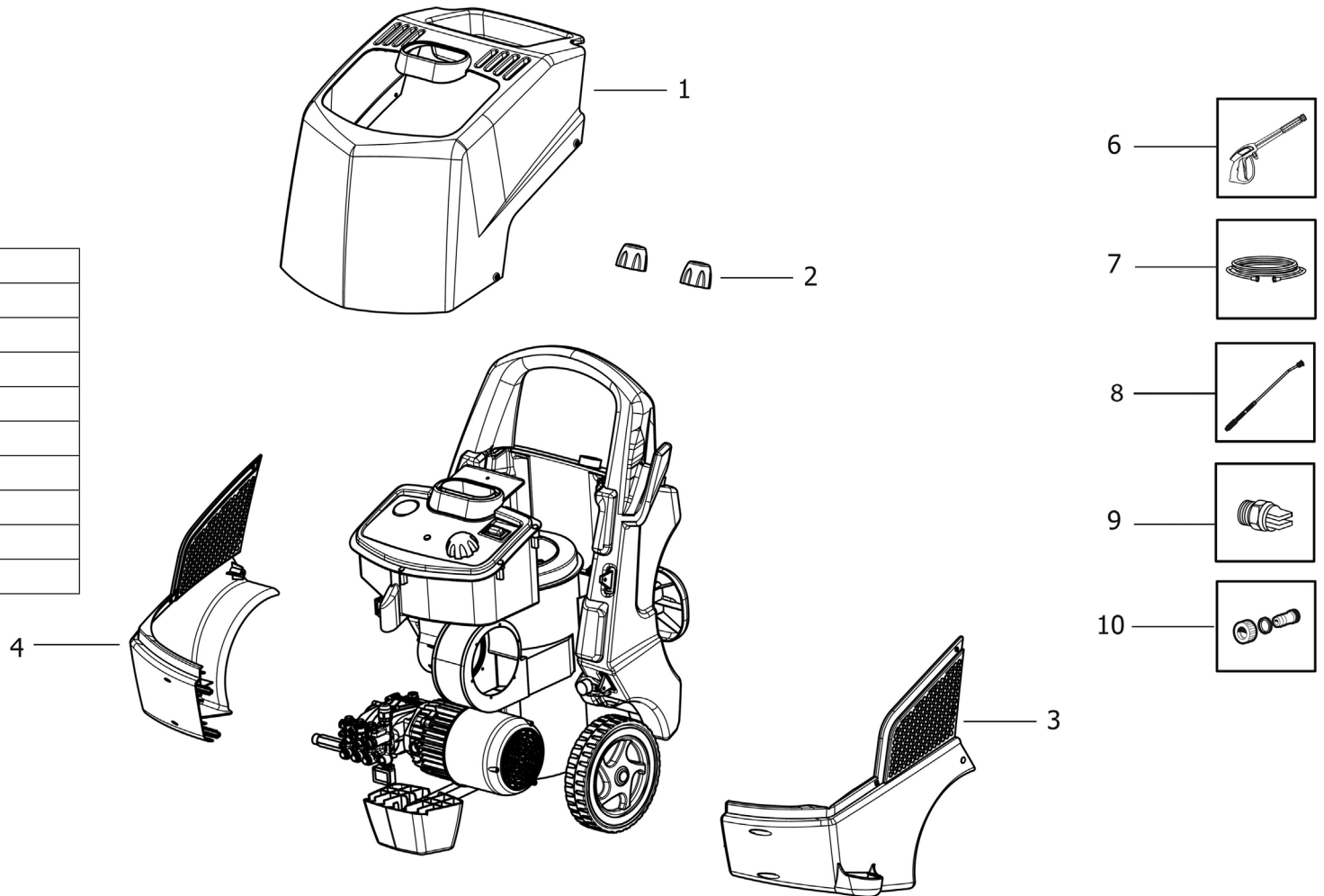




Parts Information:  
**Hot Water 170bar Pressure Washer 230V**  
**Model No: PW2500HW**

Item	Part No.	Description
1	PW2500HW.01	Upper Cover
2	PW2500HW.02	Tank Cap
3	PW2500HW.03	Front Side Cover, Left
4	PW2500HW.04	Front Side Cover, Right
6	PW2500HW.06	Gun, High Pressure
7	PW2500HW.07	Hose, High Pressure
8	PW2500HW.08	Lance, High Pressure
9	PW2500HW.09	Nozzle, High Pressure
10	PW2500HW.10	Hose Fitting



**NOTE:** It is our policy to continually improve products and as such we reserve the right to alter data, specifications and component parts without prior notice.

There may be alternative versions of this product, please contact us should you require this information.

**IMPORTANT:** No liability is accepted for incorrect use of product. Spare parts must be fitted by a competent person

**WARRANTY:** Guarantee is 12 months from purchase date, proof of which will be required for any claim.

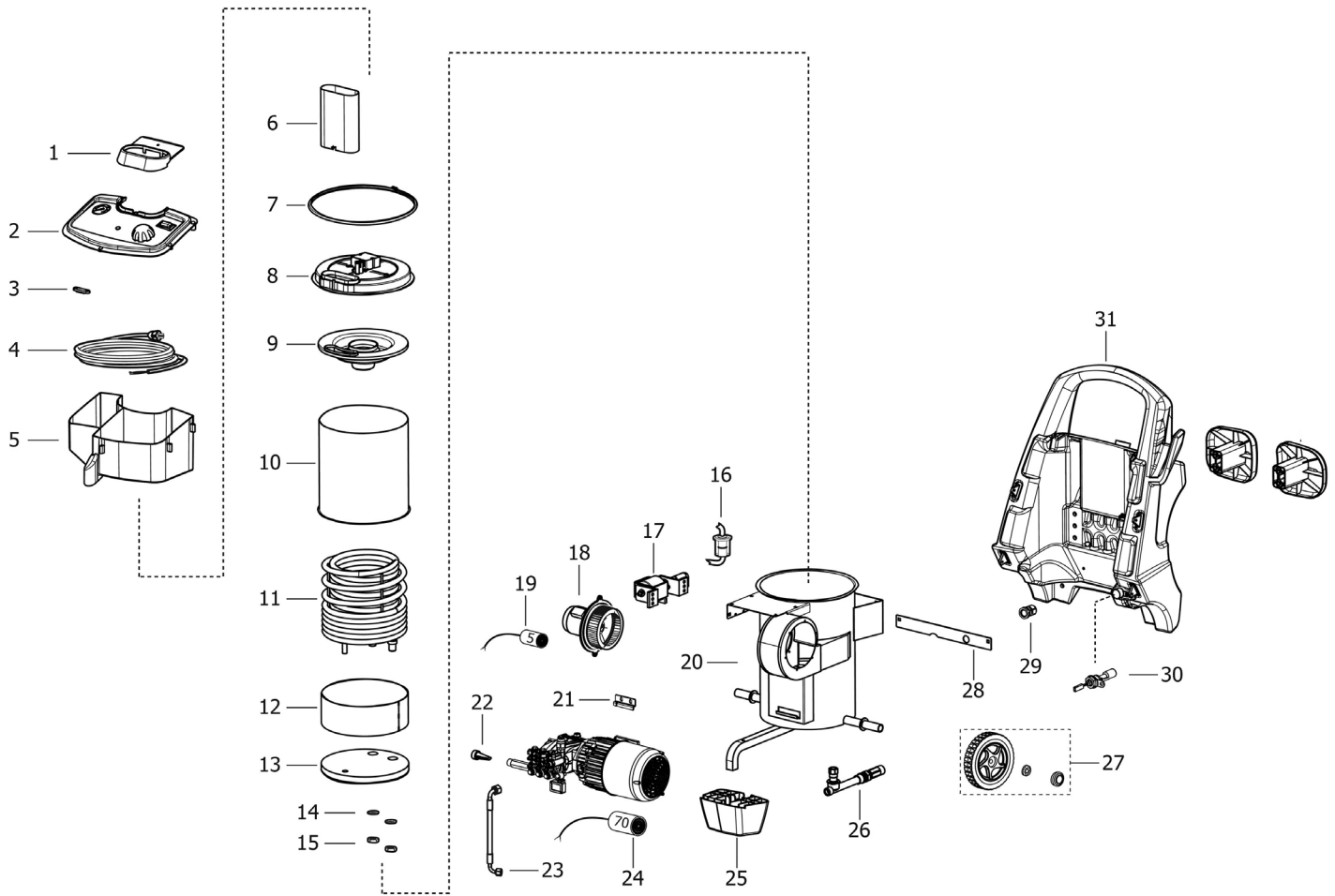
Sealey Group, Kempson Way, Suffolk Business Park, Bury St Edmunds, Suffolk. IP32 7AR

01284 757500

01284 703534

sales@sealey.co.uk

www.sealey.co.uk



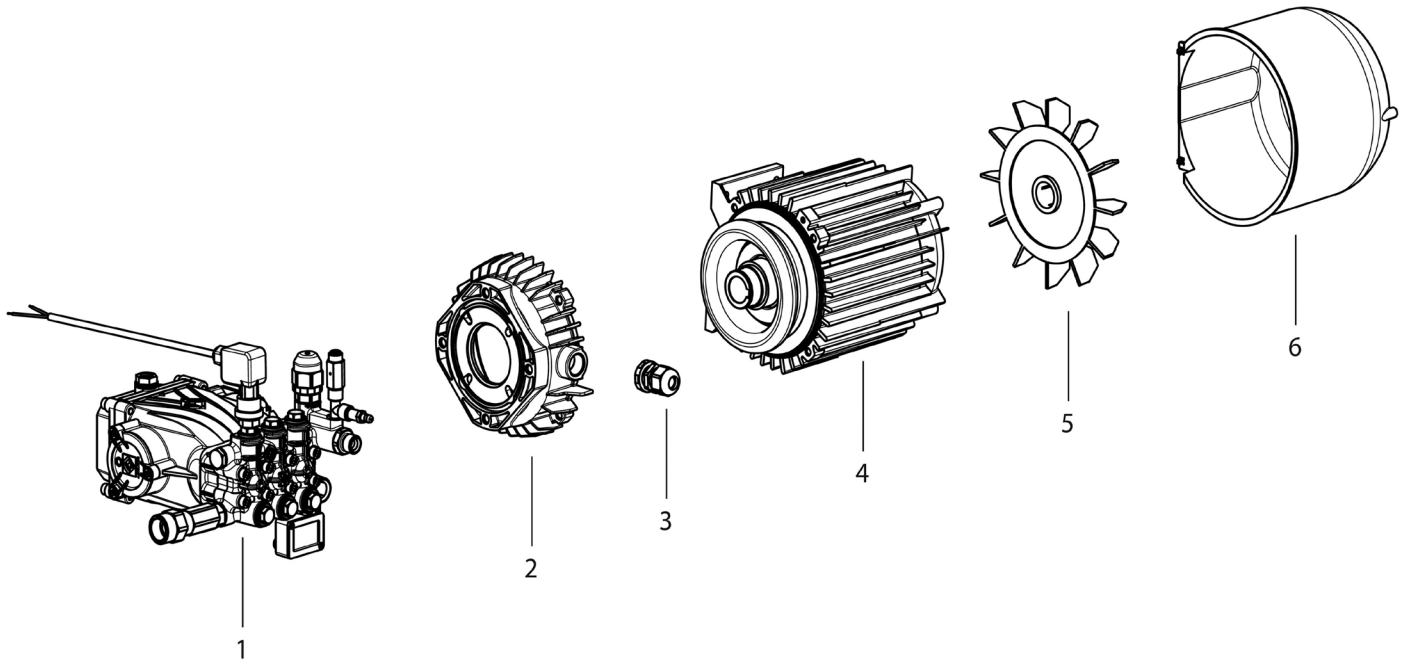
Item	Part No.	Description
1	PW2500HW.A01	Cover, Chimney
2	PW2500HW.A02	Dashboard Assembly
3	PW2500HW.A03	Power Cable Holder
4	PW2500HW.A04	Power Cable
5	PW2500HW.A05	Power Cable Box Assembly
6	PW2500HW.A06	Chimney Extension
7	PW2500HW.A07	Seal
8	PW2500HW.A08	Boiler Cover Assembly
9	PW2500HW.A09	Chimney Cover, Inner
10	PW2500HW.A10	Boiler Body, Inner
11	PW2500HW.A11	Coil, Boiler
12	PW2500HW.A12	Fixing Band
13	PW2500HW.A13	Refractory Stone
14	PW2500HW.A14	Washer M22
15	PW2500HW.A15	Nut 1/2", Brass
16	PW2500HW.A16	Oil Filter Unit

Item	Part No.	Description
17	PW2500HW.A17	Oil Pump
18	PW2500HW.A18	Motor
19	PW2500HW.A19	Capacitor 1
20	PW2500HW.A20	Boiler Body Case, Outer
21	PW2500HW.A21	Support Bracket, Motor
22	PW2500HW.A22	Water Inlet Filter
23	PW2500HW.A23	Water Inlet Hose
24	PW2500HW.A24	Capacitor 2
25	PW2500HW.A25	Front Support, Top Cover
26	PW2500HW.A26	Thermostat Body Assembly
27	PW2500HW.A27	Wheel (c/w Cap)
28	PW2500HW.A28	Support, Cable Holder
29	PW2500HW.A29	Cable Holder
30	PW2500HW.A30	Sensor, Oil Level
31	PW2500HW.A31	Rear Handle Assembly

**NOTE:** It is our policy to continually improve products and as such we reserve the right to alter data, specifications and component parts without prior notice. There may be alternative versions of this product, please contact us should you require this information.

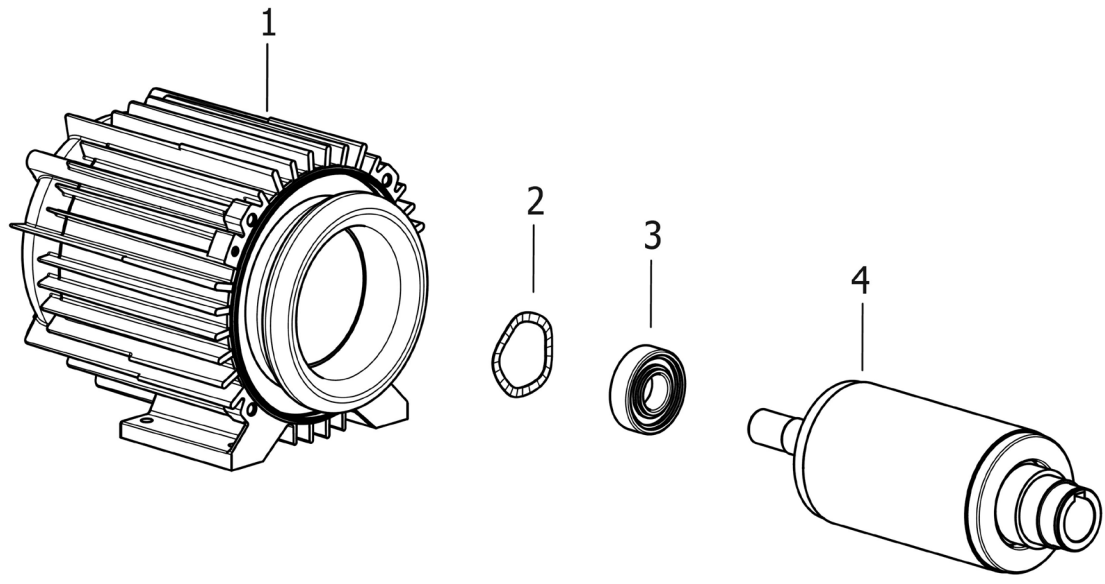
**IMPORTANT:** No liability is accepted for incorrect use of product. Spare parts must be fitted by a competent person

**WARRANTY:** Guarantee is 12 months from purchase date, proof of which will be required for any claim.



Item	Part No.	Description
1	PW2500HW.MP01	Pump
2	PW2500HW.MP02	Flange, Motor
3	PW2500HW.MP03	Connection, Cable Grip

Item	Part No.	Description
4	PW2500HW.MP04	Motor
5	PW2500HW.MP05	Motor Fan (c/w Clip & Screw)
6	PW2500HW.MP06	Cover, Motor Fan



Item	Part No.	Description
1	PW2500HW.M01	Stator
2	PW2500HW.M02	Unloading Ring

Item	Part No.	Description
3	B/6204ZZ	Bearing
4	PW2500HW.M04	Rotor Shaft

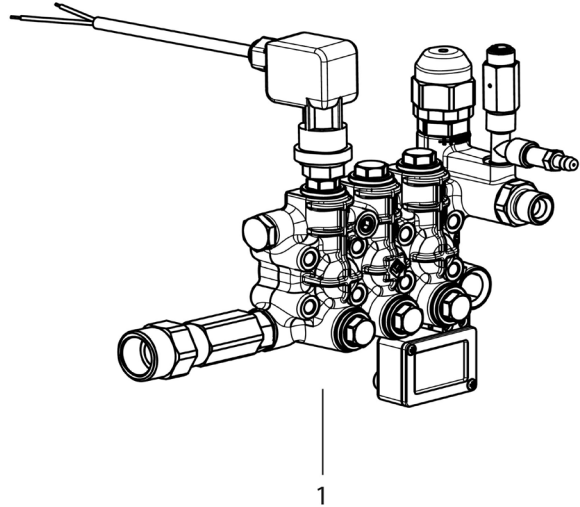
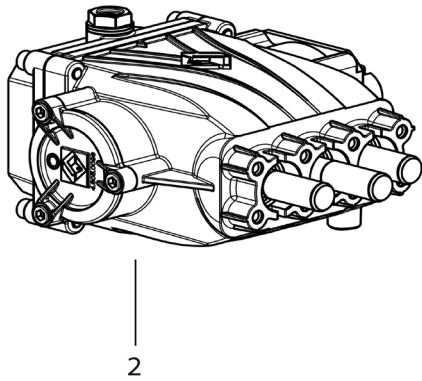
**NOTE:** It is our policy to continually improve products and as such we reserve the right to alter data, specifications and component parts without prior notice. There may be alternative versions of this product, please contact us should you require this information.

**IMPORTANT:** No liability is accepted for incorrect use of product. Spare parts must be fitted by a competent person

**WARRANTY:** Guarantee is 12 months from purchase date, proof of which will be required for any claim.

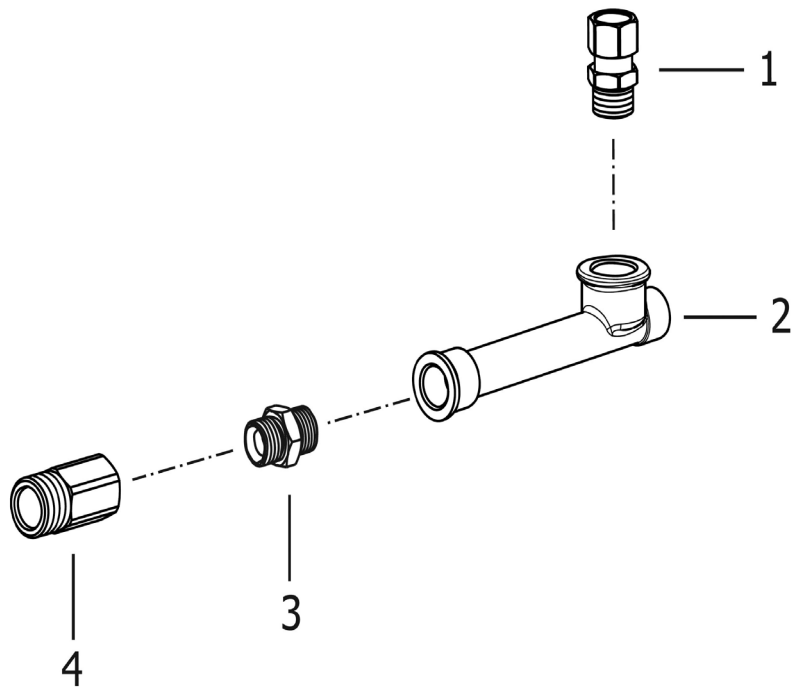


Parts Information:  
**Hot Water 170bar Pressure Washer 230V**  
**Model No: PW2500HW**



Item	Part No.	Description
1	PW2500HW.PA01	Head, Pressure Switch

Item	Part No.	Description
2	PW2500HW.PA02	Pump Assembly



Item	Part No.	Description
1	PW2500HW.TBH01	Nipple
2	PW2500HW.TBH02	Thermostat Body

Item	Part No.	Description
3	PW2500HW.TBH03	Nipple 3/8"
4	PW2500HW.TBH04	Hose Fitting

**NOTE:** It is our policy to continually improve products and as such we reserve the right to alter data, specifications and component parts without prior notice. There may be alternative versions of this product, please contact us should you require this information.

**IMPORTANT:** No liability is accepted for incorrect use of product. Spare parts must be fitted by a competent person

**WARRANTY:** Guarantee is 12 months from purchase date, proof of which will be required for any claim.

Sealey Group, Kempson Way, Suffolk Business Park, Bury St Edmunds, Suffolk. IP32 7AR



01284 757500



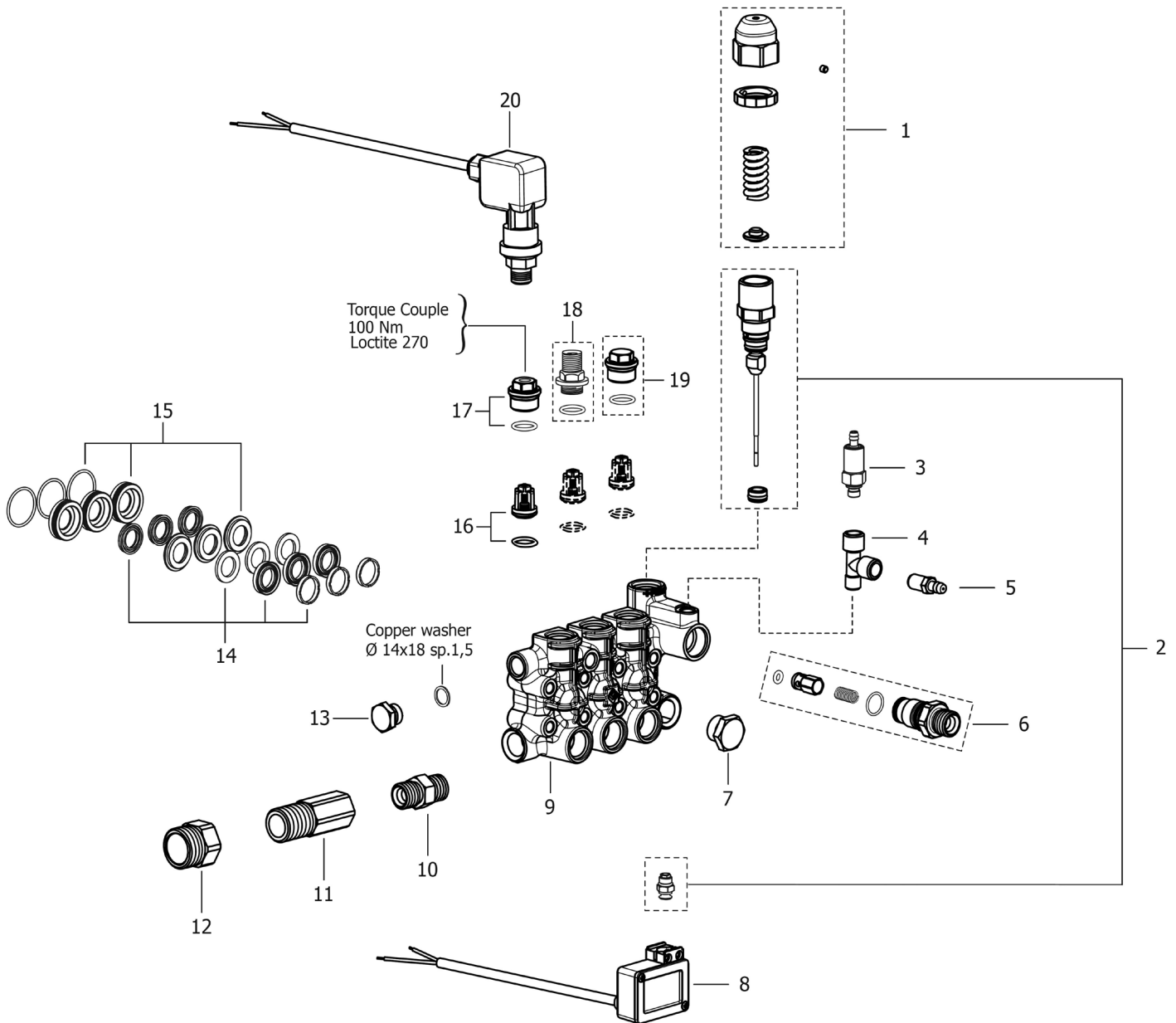
01284 703534



sales@sealey.co.uk



www.sealey.co.uk



Item	Part No.	Description
1	PW2500HW.P01	Pressure Regulator
2	PW2500HW.P02	By-Pass Valve
3	PW2500HW.P03	Pressure Valve
4	PW2500HW.P04	T-Connection
5	PW2500HW.P05	Detergent Suction Hose Holder
6	PW2500HW.P06	Non Return Valve
7	PW2500HW.P07	Cap G3/8"
8	PW2500HW.P08	Microswitch Assembly
9	PW2500HW.P09	Pump Head
10	PW2500HW.P10	Nipple 3/8"

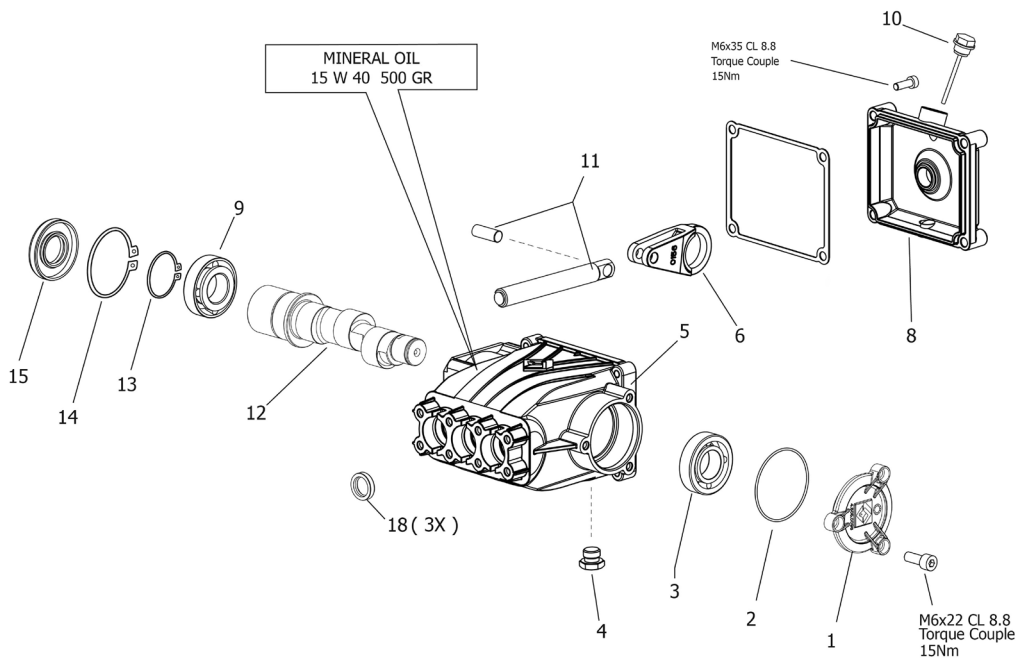
Item	Part No.	Description
11	PW2500HW.P11	Suction Connector
12	PW2500HW.P12	Suction Adaptor
13	PW2500HW.P13	Cap G1/4"
14	PW2500HW.P14	LP Water Gasket Kit
15	PW2500HW.P15	LP Bushing Set
16	PW2500HW.P16	Valve Kit
17	PW2500HW.P17	Cap, Valve Kit
18	PW2500HW.P18	Valve Cap Assembly
19	PW2500HW.P19	Cap, Suction Valve
20	PW2500HW.P20	Pressure Switch

**NOTE:** It is our policy to continually improve products and as such we reserve the right to alter data, specifications and component parts without prior notice. There may be alternative versions of this product, please contact us should you require this information.

**IMPORTANT:** No liability is accepted for incorrect use of product. Spare parts must be fitted by a competent person

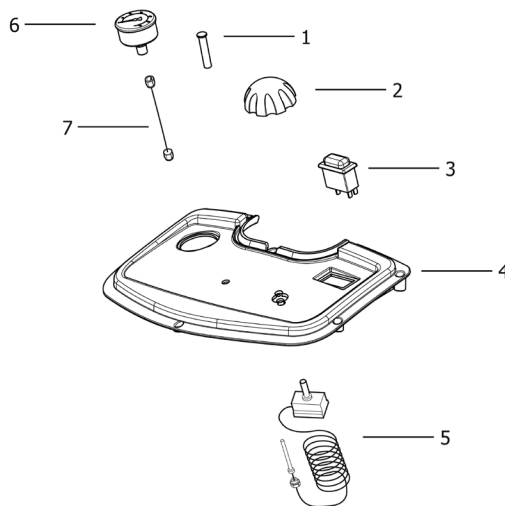
**WARRANTY:** Guarantee is 12 months from purchase date, proof of which will be required for any claim.





Item	Part No.	Description
1	PW2500HW.PSH01	Crankshaft Cover
2	AK458DX.V4-13	O-Ring
3	PW2500HW.PSH03	Radial Sphere Bearing
4	PW2500HW.PSH04	Cap G3/8"
5	PW2500HW.PSH05	Crank Case
6	PW2500HW.PSH06	Connecting Rod
8	PW2500HW.PSH08	Crankcase Cover Assembly
9	PW2500HW.PSH09	Radial Sphere Bearing

Item	Part No.	Description
10	PW2500HW.PSH10	Oil Dipstick
11	PW2500HW.PSH11	LP Piston Kit
12	PW2500HW.PSH12	Crankshaft
13	PW2500HW.PSH13	Circlip
14	PW2500HW.PSH14	Circlip
15	PW2500HW.PSH15	Oil Seal
18	PW2500HW.PSH18	Oil Gasket Kit



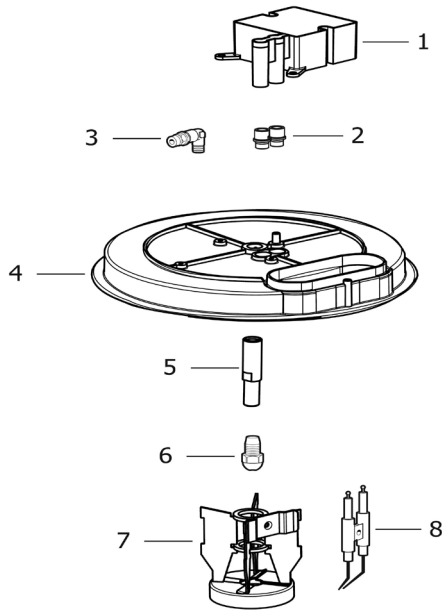
Item	Part No.	Description
1	PW2500HW.DA01	Pilot Lamp
2	PW2500HW.DA02	Thermostat Knob
3	PW2500HW.DA03	Thermal Switch
4	PW2500HW.DA04	Cover, Electrical Box

Item	Part No.	Description
5	PW2500HW.DA05	Thermostat
6	PW2500HW.DA06	Pressure Gauge
7	PW2500HW.DA07	Gauge Hose

**NOTE:** It is our policy to continually improve products and as such we reserve the right to alter data, specifications and component parts without prior notice. There may be alternative versions of this product, please contact us should you require this information.

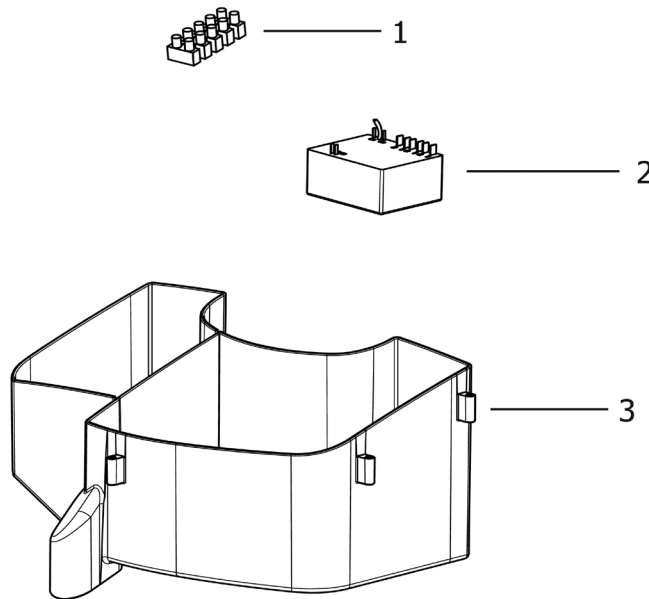
**IMPORTANT:** No liability is accepted for incorrect use of product. Spare parts must be fitted by a competent person

**WARRANTY:** Guarantee is 12 months from purchase date, proof of which will be required for any claim.



Item	Part No.	Description
1	PW2500HW.IC01	Ignition Transformer
2	PW2500HW.IC02	Gasket, Ignition Transformer
3	PW2500HW.IC03	Elbow, Ignition Transformer
4	PW2500HW.IC04	External Boiler Cover

Item	Part No.	Description
5	PW2500HW.IC05	Pin, Nozzle Holder
6	PW2500HW.IC06	Diesel Fuel Nozzle
7	PW2500HW.IC07	Deflector
8	PW2500HW.IC08	Electrode



Item	Part No.	Description
1	PW2500HW.PCBA01	Terminal Board
2	PW2500HW.PCBA02	Control Switch

Item	Part No.	Description
3	PW2500HW.PCBA03	Body, Electrical Box

**NOTE:** It is our policy to continually improve products and as such we reserve the right to alter data, specifications and component parts without prior notice. There may be alternative versions of this product, please contact us should you require this information.

**IMPORTANT:** No liability is accepted for incorrect use of product. Spare parts must be fitted by a competent person

**WARRANTY:** Guarantee is 12 months from purchase date, proof of which will be required for any claim.