

Issue: 2
 Issue Date: 07/07/2009

ITEM	PART NO	DESCRIPTION	ITEM	PART NO	DESCRIPTION
1	SM354CE.001	BASE (RIGHT SIDE)	18	SM354CE.018	NUT (M8)
1-1	SM354CE.001-1	BASE (LEFT SIDE)	18-1	SM354CE.018-1	WASHER
2	SM354CE.002	HEX BOLT (M12x40)	19-1	SM354CE.019-1	SUPPORT PLATE
3	SM354CE.003	NUT (M12)	19-2	SM354CE.019-2	HEX BOLT (M10x20)
4	SM354CE.004	BASE COVER PLATE	19-3	SM354CE.019-3	SPRING WASHER
5	SM354CE.005	HEX BOLT (M8x16)	19-4	SM354CE.019-4	WASHER
6	SM354CE.006	WASHER (M8)	28	SM354CE.028	BLOCK PLATE
7	SM354CE.007	NUT (M8)	31	SM354CE.031	HEX BOLT (M12x40)
8	SM354CE.008	WASHER	32	SM354CE.032	NUT (M12)
9	SM354CE.009	SPRING WASHER	33	SM354CE.033	FILTER
10	SM354CE.010	HEX SOCKET CAP SCREW (M10x20)	34	SM354CE.034	SCREW (M5x10)
11	SM354CE.011	HEX SOCKET CAP SCREW (M6x8)	34-1	SM354CE.034-1	WASHER
12	SM354CE.012	PLATE	35	SM354CE.035	HEX SOCKET CAP SCREW (M6x25)
13	SM354CE.013	HEX SOCKET CAP SCREW (M8x20)	36	SM354CE.036	WASHER
14	SM354CE.014	SPRING WASHER	37	SM354CE.037	HOSE (5/16"x125mm)
15	SM354CE.015	HEX SOCKET CAP SCREW (M8x20)	38	SM354CE.038	HOSE CLAMP
15-1	SM354CE.015-1	SPRING WASHER	39	SM354CE.039	PUMP
16	SM354CE.016	WASHER	40	SM354CE.040	PLUG
17	SM354CE.017	SUPPORTING PLATE	41	SM354CE.041	COOLANT TRAY

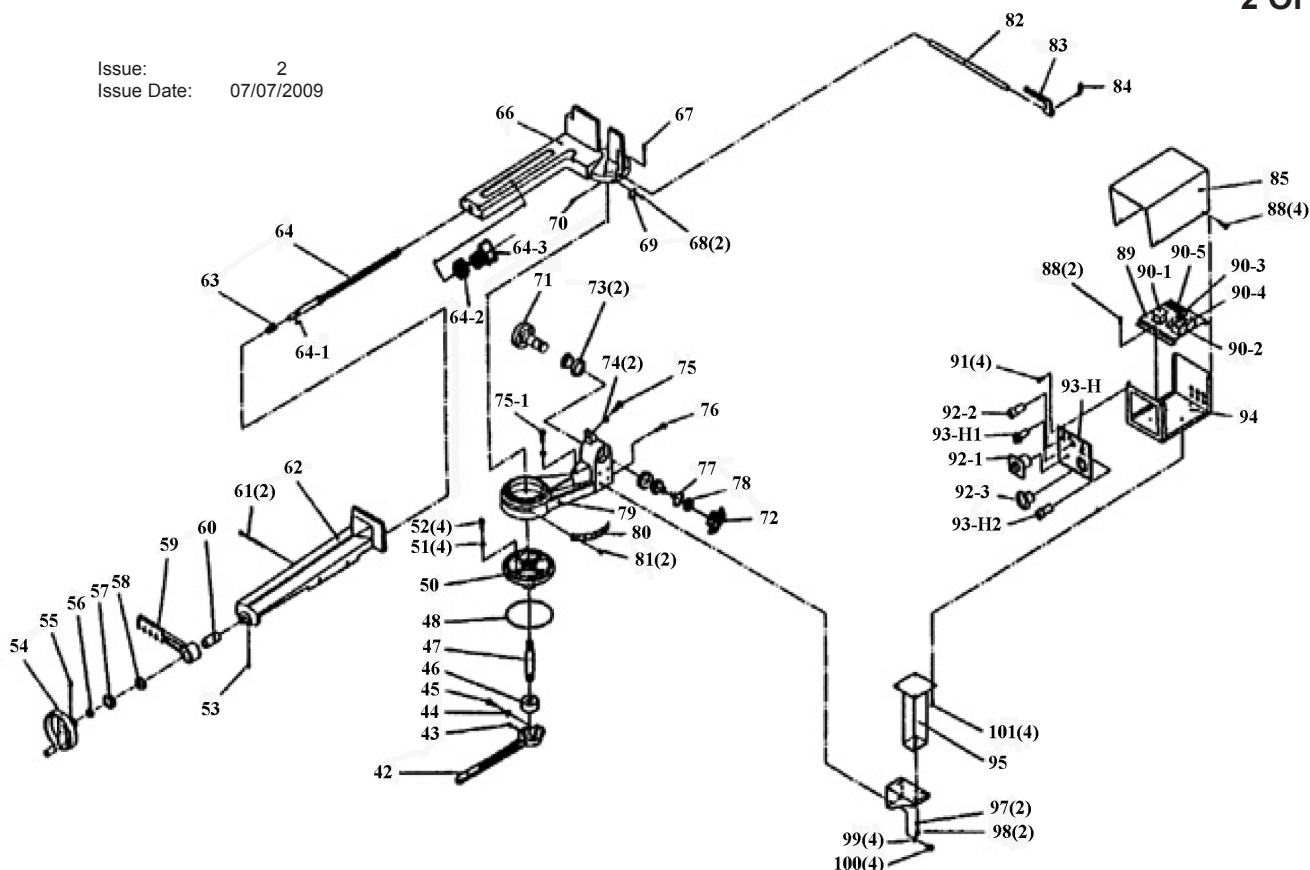
NOTE: It is our policy to continually improve products and as such we reserve the right to alter data, specifications and component parts without prior notice.

IMPORTANT: No liability is accepted for incorrect use of product.

WARRANTY: Guarantee is 12 months from purchase date, proof of which will be required for any claim.

INFORMATION: For a copy of our latest catalogue and promotions call us on 01284 757525 and leave your full name and address, including postcode.

Issue: 2
Issue Date: 07/07/2009



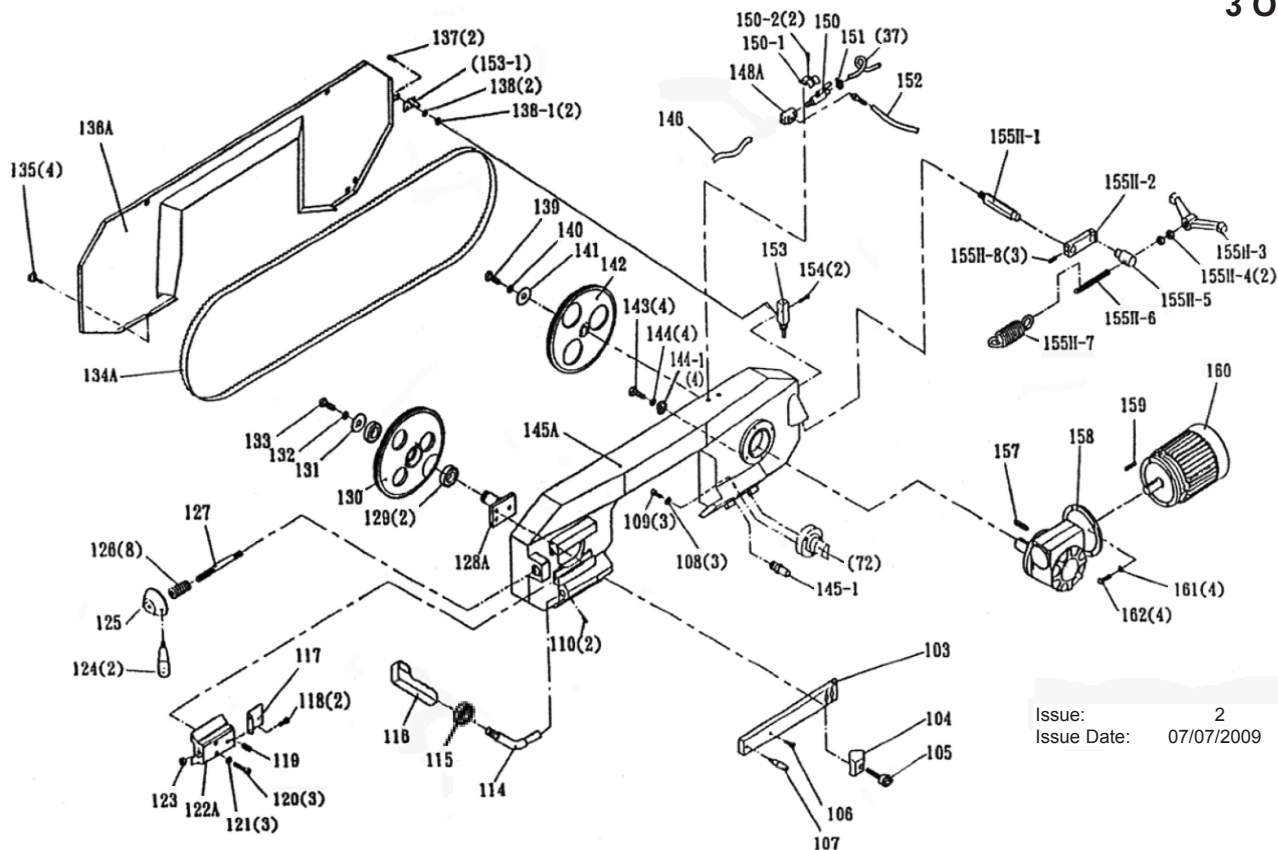
ITEM	PART NO	DESCRIPTION	ITEM	PART NO	DESCRIPTION
42	SM354CE.042	LOCKING LEVER	75-1	SM354CE.075-1	HEX CAP BOLT (M10x25)
43	SM354CE.043	SET SCREW (M10x16)	76	SM354CE.076	SPRING PIN
44	SM354CE.044	SPRING WASHER	77	SM354CE.077	WASHER
45	SM354CE.045	HEX SOCKET CAP SCREW (M10x35)	78	SM354CE.078	NUT (M30)
46	SM354CE.046	NUT	79	SM354CE.079	SWING ARM
47	SM354CE.047	SHAFT	80	SM354CE.080	SCALE
48	SM354CE.048	OIL SEAL	81	SM354CE.081	RIVET
50	SM354CE.050	HANDWHEEL	82	SM354CE.082	STOP-BAR ROD
51	SM354CE.051	SPRING WASHER	83	SM354CE.083	ROD
52	SM354CE.052	HEX SOCKET CAP SCREW (M8x25)	84	SM354CE.084	SCREW (5/16 x 3/4)
53	SM354CE.053	SET SCREW (M8x10)	85	SM354CE.085	COVER
54	SM354CE.054	HAND WHEEL	86	SM354CE.086	HEX SOCKET CAP SCREW (M5x8)
55	SM354CE.055	SET SCREW (M8x10)	88	SM354CE.088	SCREW (M5x10)
56	SM354CE.056	NUT (M20)	89	SM354CE.089	BOTTOM PLATE FOR CONTROL BOX
57	SM354CE.057	BUSHING	90-1	SM354CE.090-1	TRANSFORMER
58	SM354CE.058	BEARING	90-2	SM354CE.090-2	MAGNETIC CONNECTOR
59	SM354CE.059	LOCK HANDLE	90-3	SM354CE.090-3	FUSE SEAT
60	SM354CE.060	BUSHING	90-4	SM354CE.090-4	OVERLOAD RELAY
61	SM354CE.061	HEX SOCKET CAP SCREW (M6x100)	90-5	SM354CE.090-5	CONTACT
62	SM354CE.062	TABLE	91	SM354CE.091	SCREW (M5x10)
63	SM354CE.063	COMPRESSED SPRING	92-1	SM354CE.092-1	MAIN SWITCH
64	SM354CE.064	LEAD SCREW	92-2	SM354CE.092-2	POWER INDICATOR LIGHT
64-1	SM354CE.064-1	KEY (5x5x15)	92-3	SM354CE.092-3	EMERGENCY SWITCH
64-2	SM354CE.064-2	WASHER	93-H	SM354CE.093-H	CONTROL BOX PANEL
64-3	SM354CE.064-3	SET SCREW (M8x10)	93-H1	SM354CE.093H1	MANUAL/AUTO SELECTOR
66	SM354CE.066	WISE	93-H2	SM354CE.093H2	START BUTTON
67	SM354CE.067	SET SCREW (M8x10)	94	SM354CE.094	CONTROL BOX BOTTOM
68	SM354CE.068	HEX SOCKET CAP SCREW (M5x8)	95	SM354CE.095	SUPPORT
69	SM354CE.069	SCALE POINT	96	SM354CE.096	BRACKET
70	SM354CE.070	SET SCREW (M8x10)	97	SM354CE.097	SPRING WASHER
71	SM354CE.071	PIVOT	98	SM354CE.098	HEX SOCKET CAP SCREW (M8x20)
72	SM354CE.072	COVER	99	SM354CE.099	SPRING WASHER
73	SM354CE.073	BEARING	100	SM354CE.100	HEX SOCKET CAP SCREW (M8x20)
74	SM354CE.074	NUT (M10)	101	SM354CE.101	HEX SOCKET CAP SCREW (M5x8)
75	SM354CE.075	HEX CAP BOLT (M10x40)			

NOTE: It is our policy to continually improve products and as such we reserve the right to alter data, specifications and component parts without prior notice.

IMPORTANT: No liability is accepted for incorrect use of product.

WARRANTY: Guarantee is 12 months from purchase date, proof of which will be required for any claim.

INFORMATION: For a copy of our latest catalogue and promotions call us on 01284 757525 and leave your full name and address, including postcode.



Issue: 2
 Issue Date: 07/07/2009

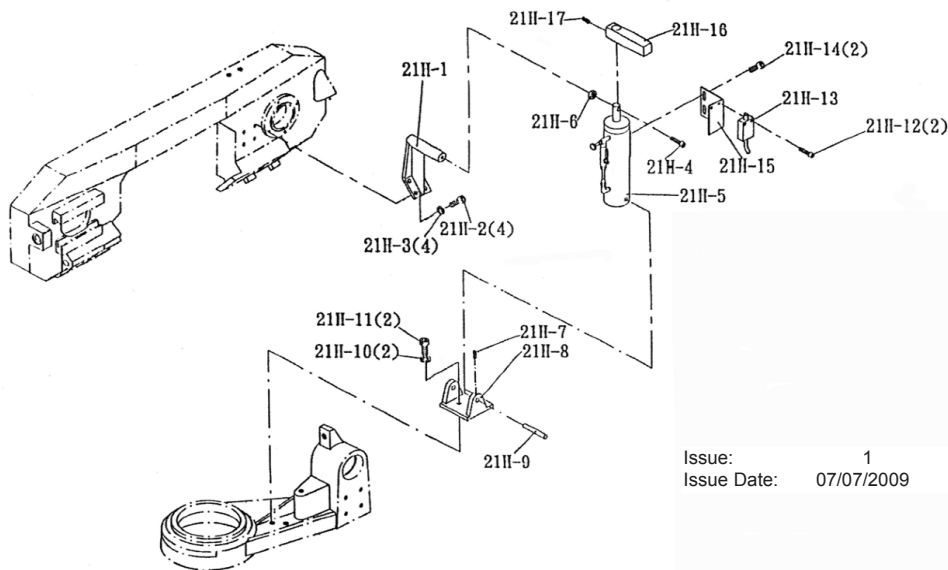
ITEM	PART NO	DESCRIPTION	ITEM	PART NO	DESCRIPTION
103	SM354CE.103	BEARING BRACKET	138-1	SM354CE.138-1	NUT
104	SM354CE.104	BRACKET	139	SM354CE.139	HEX BOLT (M10x25)
105	SM354CE.105	HANDLE	140	SM354CE.140	SPRING WASHER
106	SM354CE.106	HEX SOCKET CAP SCREW (M6x8)	141	SM354CE.141	WASHER
107	SM354CE.107	PLASTIC HANDLE	142	SM354CE.142	DRIVE FLYWHEEL
108	SM354CE.108	SPRING WASHER	143	SM354CE.143	HEX SOCKET CAP SCREW (M8x30)
109	SM354CE.109	HEX SOCKET CAP SCREW (M8x25)	144	SM354CE.144	SPRING WASHER
110	SM354CE.110	SET SCREW (M8x30)	144-1	SM354CE.144-1	WASHER
114	SM354CE.114	ROD	145A	SM354CE.145A	SAW ARM
115	SM354CE.115	NUT M16	145-1	SM354CE.145-1	SET SHAFT
116	SM354CE.116	TRIGGER SWITCH	146	SM354CE.146	HOSE (5/16"x75cm)
117	SM354CE.117	COVER PLATE	148A	SM354CE.148A	PIPE FITTING SEAT
118	SM354CE.118	HEX SOCKET CAP SCREW (M6x8)	150	SM354CE.150	COOLANT SWITCH
119	SM354CE.119	SET SCREW (M10x25)	150-1	SM354CE.150-1	BRACE
120	SM354CE.120	HEX SOCKET CAP SCREW (M10x40)	150-2	SM354CE.150-2	HEX SOCKET CAP SCREW (M6x15)
121	SM354CE.121	SPRING WASHER	151	SM354CE.151	HOSE CLAMP
122A	SM354CE.122A	SLIDE	152	SM354CE.152	HOSE (5/16"x35cm)
123	SM354CE.123	NUT (M16)	153	SM354CE.153	LIMIT SWITCH
124	SM354CE.124	HANDLE	153-1	SM354CE.153-1	SWITCH PIN
125	SM354CE.125	HANDWHEEL	154	SM354CE.154	HEX SOCKET CAP SCREW (M4x35)
126	SM354CE.126	SPRING WASHER	155-H1	SM354CE.155H1	SPRING SHAFT
127	SM354CE.127	TENSION SHAFT	155-H2	SM354CE.155H2	SETTING PLATE
128A	SM354CE.128A	SHAFT	155-H3	SM354CE.155H3	HANDLE
129	SM354CE.129	BEARING	155-H4	SM354CE.155H4	NUT (M16)
130	SM354CE.130	IDLE FLYWHEEL	155-H5	SM354CE.155H5	BUSHING
131	SM354CE.131	WASHER	155-H6	SM354CE.155H6	ADJUSTABLE SHAFT
132	SM354CE.132	SPRING WASHER	155-H7	SM354CE.155H7	SPRING
133	SM354CE.133	HEX BOLT (M10x25)	155-H8	SM354CE.155H8	SET SCREW
134A	SM354B18	BLADE 2110 x 20 x 0.8mm 18TPI	157	SM354CE.157	KEY
	SM354B24	BLADE 2110 x 20 x 0.8mm 24TPI	158	SM354CE.158	GEARBOX
	SM354B14	BLADE (2110 x 20 x 0.8mm) 14TPI	159	SM354CE.159	KEY (5x5x25)
135	SM354CE.135	KNOB BOLT	160	SM354CE.160	MOTOR
136A	SM354CE.136A	BLADE COVER	161	SM354CE.161	SPRING WASHER
137	SM354CE.137	SCREW (M4x8)	162	SM354CE.162	HEX SOCKET CAP SCREW (M8x25)
138	SM354CE.138	SPRING WASHER			

NOTE: It is our policy to continually improve products and as such we reserve the right to alter data, specifications and component parts without prior notice.

IMPORTANT: No liability is accepted for incorrect use of product.

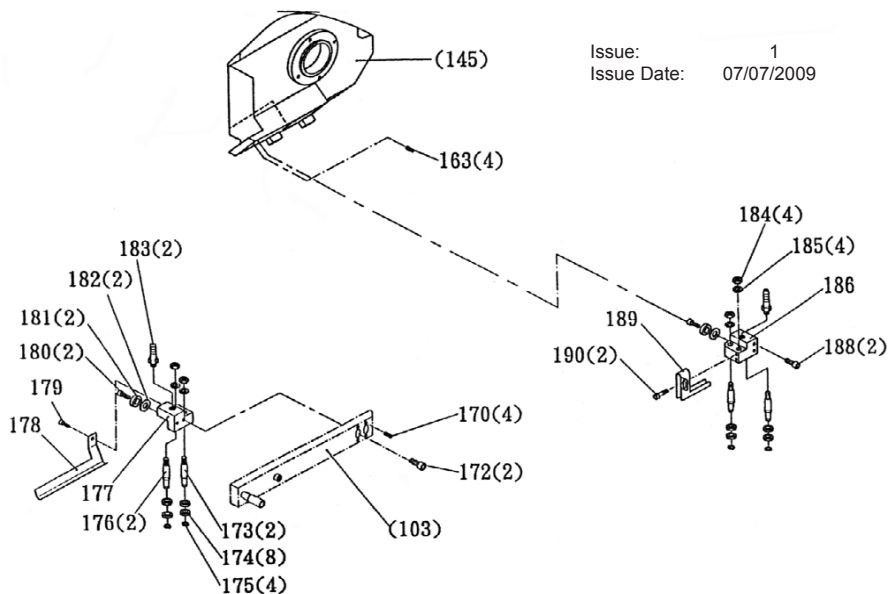
WARRANTY: Guarantee is 12 months from purchase date, proof of which will be required for any claim.

INFORMATION: For a copy of our latest catalogue and promotions call us on 01284 757525 and leave your full name and address, including postcode.



Issue: 1
 Issue Date: 07/07/2009

ITEM	PART NO	DESCRIPTION	ITEM	PART NO	DESCRIPTION
21H-1	SM354CE.021H1	TOP SUPPORT	21H-10	SM354CE021H10	SPRING WASHER
21H-2	SM354CE.021H2	HEX SOCKET CAP SCREW (M8x20)	21H-11	SM354CE021H11	HEX SOCKET CAP SCREW (M8x20)
21H-3	SM354CE.021H3	SPRING WASHER (M8)	21H-12	SM354CE021H12	HEX SOCKET CAP SCREW (M4x25)
21H-4	SM354CE.021H4	SCRWE (M10x55)	21H-13	SM354CE021H13	LIMIT SWITCH
21H-5	SM354CE.021H5	HYDRAULIC CYLINDER	21H-14	SM354CE021H14	SCREW (M5x10)
21H-6	SM354CE.021H6	NUT (M10)	21H-15	SM354CE021H15	ADJUSTING BRACKET
21H-7	SM354CE.021H7	SET SCREW (M6x12)	21H-16	SM354CE021H16	SETTING BRACKET
21H-8	SM354CE.021H8	BOTTOM SUPPORT	21H-17	SM354CE021H17	SET SCREW (M6x8)
21H-9	SM354CE.021H9	SUPPORT ROD			



Issue: 1
 Issue Date: 07/07/2009

ITEM	PART NO	DESCRIPTION	ITEM	PART NO	DESCRIPTION
163	SM354CE.163	SET SCREW (M6x12)	180	SM354CE.180	HEX SOCKET CAP SCREW (M8x20)
170	SM354CE.170	SET SCREW (M6x12)	181	SM354CE.181	BEARING
172	SM354CE.172	HEX SOCKET CAP SCREW (M8x30)	182	SM354CE.182	WASHER
173	SM354CE.173	CENTRIC SHAFT	183	SM354CE.183	PIPE FITTING (1/4" P x 5/16)
174	SM354CE.174	BEARING	184	SM354CE.184	NUT (M8)
175	SM354CE.175	E-RING	185	SM354CE.185	SPRING WASHER
176	SM354CE.176	ECCENTRIC SHAFT	186	SM354CE.186	BEARING SEAT (REAR)
177	SM354CE.177	BEARING SEAT (FRONT)	188	SM354CE.188	HEX SOCKET CAP SCREW (M8x30)
178	SM354CE.178	FRONT BLADE GUARD	189	SM354CE.189	REAR BLADE GUARD
179	SM354CE.179	HEX SOCKET CAP SCREW (M6x8)	190	SM354CE.190	SCREW (M6x8)

NOTE: It is our policy to continually improve products and as such we reserve the right to alter data, specifications and component parts without prior notice.

IMPORTANT: No liability is accepted for incorrect use of product.

WARRANTY: Guarantee is 12 months from purchase date, proof of which will be required for any claim.

INFORMATION: For a copy of our latest catalogue and promotions call us on 01284 757525 and leave your full name and address, including postcode.