



3 TONNE CAR LIFT/RAMP

MODEL NO.: MR1

Thank you for purchasing a Sealey product. Manufactured to a high standard, this product will, if used according to these instructions, and properly maintained, give you years of trouble free performance.

IMPORTANT: PLEASE READ THESE INSTRUCTIONS CAREFULLY. NOTE THE SAFE OPERATIONAL REQUIREMENTS, WARNINGS & CAUTIONS. USE THE PRODUCT CORRECTLY AND WITH CARE FOR THE PURPOSE FOR WHICH IT IS INTENDED. FAILURE TO DO SO MAY CAUSE DAMAGE AND/OR PERSONAL INJURY AND WILL INVALIDATE THE WARRANTY. KEEP THESE INSTRUCTIONS SAFE FOR FUTURE USE.



Refer to instruction manual



Wear protective gloves



Wear protective footwear

1. SAFETY

- WARNING!** Ensure Health & Safety, local authority, and general workshop practice regulations are adhered to when using this equipment.
- WARNING! TRAPPING DANGER** Keep hands and limbs away from the steelwork during elevating and lowering.
- WARNING!** Prepare the vehicle ready for both when moving onto, and at rest, on the ramp. Ensure the vehicle will not move, tip, fall etc.
- WARNING! DO NOT** use the ramp to support, hold or move a vehicle which is unstable.
NOTE: It is recommended that two people are used to assemble the unit.
- DO NOT** operate the ramp if damaged.
- DO NOT** allow untrained persons to assemble or operate the ramp.
- DO NOT** exceed the rated capacity of the ramp.
- DO NOT** allow the vehicle to move on the ramp.
- DO NOT** move vehicle if there is a risk of spillage of fuel, battery acid, or other dangerous substances.
- DO NOT** climb on the ramp.
- DO NOT** use the ramp for purposes other than that for which it is intended.
- DO NOT** modify the ramp.
- DO NOT** use to achieve a task that the vehicle ramp was not designed to perform.
- DO NOT** drive onto or off ramp with passengers inside vehicle.
- DO NOT** exceed total load capacity of 3.0 tonne (1800 kg single axle weight). Refer to vehicle manual for weight of vehicle.
- DO NOT** operate the vehicle ramp if parts are damaged or missing as this may cause failure and/or personal injury.
- Keep the work area clean, uncluttered and ensure there is adequate lighting.
- Maintain correct balance and footing. Ensure the floor is not slippery and wear non-slip protective footwear.
- Remove ill-fitting clothes. Remove ties, watches, rings, other loose jewellery.
- Familiarise yourself with the applications, limitations and potential hazards of the vehicle ramp.
- Use on a hard, level non-slippery surface such as concrete that is capable of supporting the load of the vehicle and the ramp. Avoid tarmac as ramp may sink in.
- Ensure the ramp is in sound condition and good working order. Take action for immediate repair or replacement of damaged parts. Use genuine parts only. The use of non-standard parts may be dangerous and will invalidate the warranty.
- Once the load is mounted it is imperative that the vehicle is secured in place using chocks and that the ignition key is withdrawn from the switch.
- Check the load is stable on the ramp, make sure there is no risk of tilting or slipping.
- When mounting or lowering a car **DO NOT** allow anyone other than the operator to approach the work area.
- Ensure adequate level space around the vehicle for the operator and the ramp.
- Ensure there are no passengers in the vehicle.
- Ensure all non-essential persons keep a safe distance from the ramp whilst it is in use.
- Ensure you have a clear view and necessary assistance when ascending/descending the ramp.
- Ensure there are no persons or obstructions beneath the vehicle before moving.
- When not in use store the ramp in a safe, dry, childproof area.
- WARNING! The warnings, cautions and instructions in this manual cannot cover all possible conditions and situations that may occur. It must be understood by the operator that common sense and caution are factors which cannot be built into this product, but must be applied by the operator**

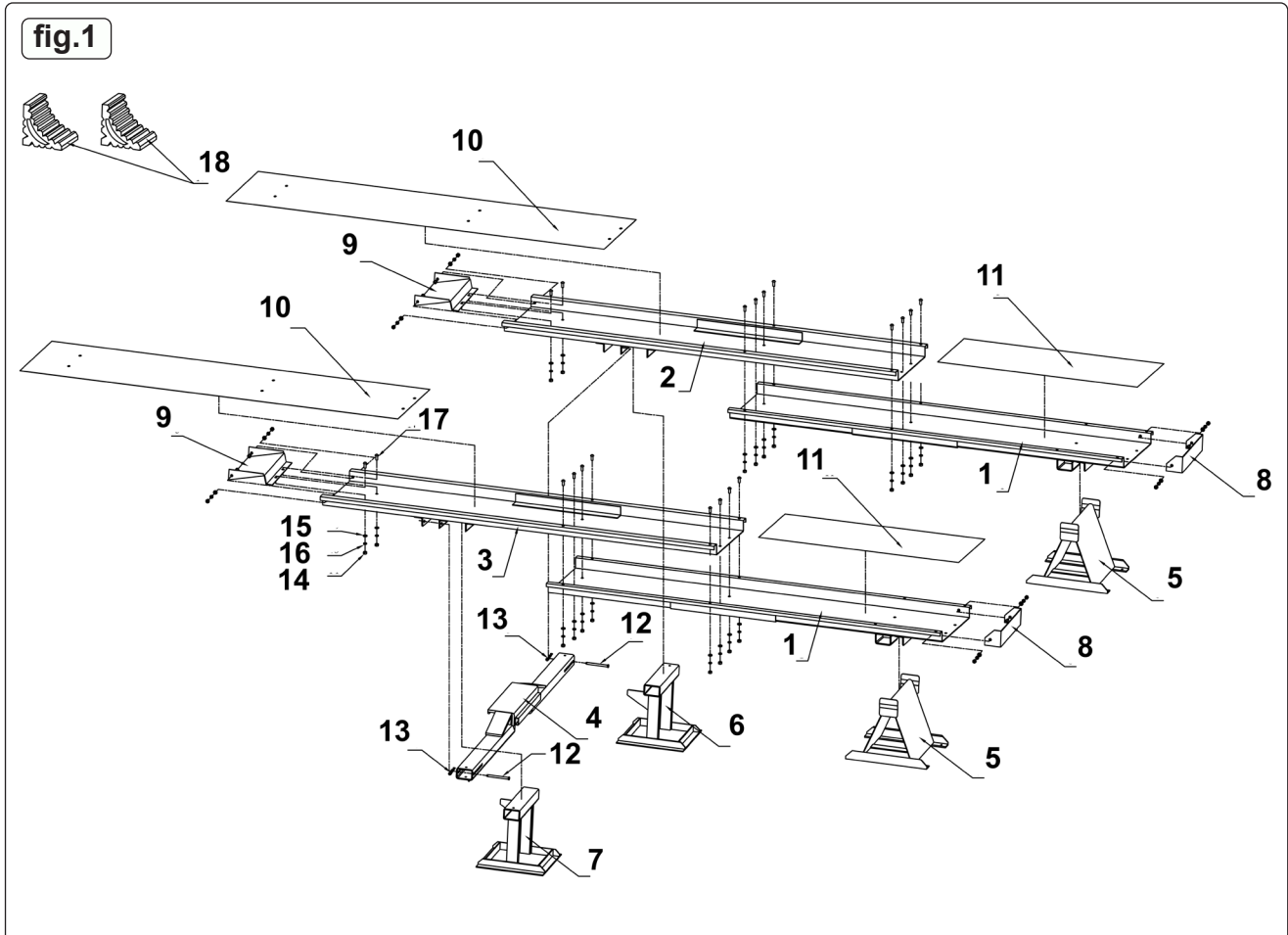
2. INTRODUCTION

Compact, convenient and innovative 3tonne (pair) rated car ramps (maximum single axle weight of 1800kg), supplied with four stands and removable lifting beam, capable of raising a vehicle completely off the ground giving a clear workspace between vehicle and floor. Designed so the track width can be adjusted to fit various makes and model of cars with maximum tyre width of 380mm. Excellent for general servicing, exhaust work repairing damaged jacking points, sills, floor panels and undersealing. Will fit within confined areas such as garages and workshops. Safe and efficient operation, gives a clear workspace between the raised vehicle and floor. Requires a jack with a saddle height no taller than 100mm, a maximum diameter of 120mm and max. jacking height of 435mm to lift its jacking beam to a position where its stands can be inserted.

3. SPECIFICATION

Model No.:..... MR1
Capacity Pair: 3tonne
Maximum Jack Pad Diameter: 120mm
Maximum Jack Pad Entry Height: 100mm
Maximum Track:..... 1630mm (Ramp centre line)
Minimum Track:..... 1306mm (Ramp centre line)
Maximum Tyre Width 380mm
Maximum Wheel Base: 3000mm
Overall Dimensions (L x W x H): 3540 x 2111 x 430mm
Ramp Height:..... 430mm

4. CONTENTS / ASSEMBLY



Contents (see fig.1)		
Item No.	Description	Qty.
1	Ramp B	2
2	Ramp A (L/H)	1
3	Ramp A (R/H)	1
4	Cross beam	1
5	Front stand	2
6	Rear stand (Left)	1
7	Rear stand (Right)	1
8	Stop plate	2
9	Anti roll off plate	2

Contents (see fig.1)		
Item No.	Description	Qty.
10	Grip tape 1	2
11	Grip tape 2	2
12	Pin	2
13	R Clip	2
14	Nut M10	28
15	Plain washer M10	28
16	Lock washer M10	28
17	Screw - Button head hex. socket M10 x 25 mm	28
18	Wheel Chock	2

4.1. RAMP ASSEMBLY (fig.1)

NOTE: It is recommended that two or more people are used to assemble this item.

- 4.1.1. Assemble ramps (L/H items 1, 2, R/H items 1, 3) using fixings (items 14, 15, 16, and 17) as shown in fig.1.
- 4.1.2. Fit stop plates (item 8) to end of ramps using fixings (items 14, 15, 16, and 17).
- 4.1.3. Fit anti roll off plates (item 9) to end of ramps using fixings (items 14, 15, 16, and 17).

5. OPERATION

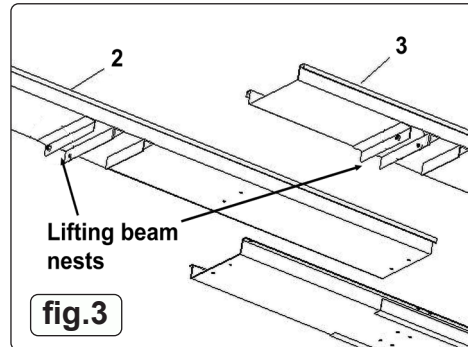
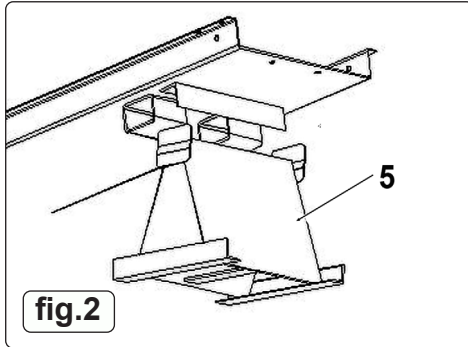
5.1. SET UP

NOTE: Select an appropriate work place i.e. a clear area with a hard, level non-slippery surface with enough headroom to clear the raised vehicle. Layout the assembled ramps and adjust the ramps location to suit the vehicle track width.

NOTE: It is normal for the ramps to flex while loading the vehicle.

NOTE: Ensure that the ramps are equally disposed about the centre line of the intended ramp arrangement and that they are parallel to each other.

- 5.1.1. Raise the front end of each ramp and locate the front stands (fig.1.5) into the nest arrangement on the underside of the ramps (fig.2).



- 5.1.2. Locate the lifting beam (fig.1.4) into the rear-most nest arrangement on the underside of the ramps (fig.3). Note the orientation of the beam and its lifting pad such that the lifting pad of the jack cannot slip out from under it in either direction.

- 5.1.3. Engage locking pins and 'R' clips (fig.1.12 and fig.1.13) into suitable holes in lifting beam (fig.1.4) to suit the required ramp width.

NOTE: Ensure that the pin holes used are symmetrical to both sides and the lifting beam is well balanced.

5.2. LOADING VEHICLE

- 5.2.1. Ensure the ramps are set to the correct width for the vehicle being raised, centred against the tyres and are laid parallel to each other.
- 5.2.2. Be sure the wheels to be driven onto the ramps are positioned straight forward and in alignment with the ramps.
- 5.2.3. Have a second person, standing clear from vehicle, watching the ramps as the vehicle is driven on or off of the ramps to warn of any unwanted movement and to ensure correct alignment.
- 5.2.4. Proceed slowly and cautiously. Avoid hard acceleration or braking when driving on or off the ramp. Once the vehicle reaches the stop plates (fig.1.8) at the end of the ramps, apply brakes, place in gear.
- 5.2.5. Set handbrake and switch off the engine. Select a suitable gear (reverse gear if the vehicle has been driven on to the ramp or first gear if the vehicle has been reversed on).
- 5.2.6. Fit wheel chocks (fig.1.18) securely in position behind the forward most wheels (fig.1.18).

NOTE: Ensure that all tyres are properly positioned on the ramps and that the chocks (fig.1.18) are well fitted. Using caution and positioning your body clear of danger, shake vehicle sideways and endways to ensure the vehicle and ramps are stable and that the wheel chocks are correctly located.

5.3. RAISING THE RAMP

NOTE: Ensure safe, secure and perpendicular engagement of the trolley jack to the mid point position of the jack pad on the lifting beam such that the trolley jack pad cannot slip from under the beam and that the load is balanced.

- 5.3.1. Using a trolley jack positioned underneath the lifting beam (see note above), raise the rear end of the ramps until the rear stands will fit underneath.
- 5.3.2. Position the rear stands (fig.1.6, fig.1.7) in the underside area of the ramps in front of the lifting beam. If the lifting beam is to remain attached to the ramps, please ensure that the rear stands are correctly orientated as per the instruction labels.
- 5.3.3. Slowly lower the jack until the ramps rest firmly onto the stands.
- 5.3.4. If the lifting beam is to be removed, before lowering the jack, remove the 'R' clips and pins (fig.1.12, fig.1.13) from the beam (fig.1.4) to allow it to be fully lowered using the trolley jack and then withdraw the lifting beam from the assembled ramps.

5.4. LOWERING THE RAMP

- 5.4.1. The wheel chocks **MUST** remain in position until the vehicle is lowered.
- 5.4.2. Ensure the vehicle handbrake is engaged. (fig.1.18).
- 5.4.3. If the lifting beam (fig.1.4) has been removed, place the lifting beam on the floor underneath the rear of the ramp such that when it is raised using a trolley jack, it will engage into the nest arrangement on the underside of the ramps. Raise the lifting beam sufficiently to insert the locking pins and 'R' clips (fig.1.12, fig.1.13), and to allow the rear trestles to be removed.
- 5.4.4. Slowly and carefully lower the jack and MR1 to the ground. Remove the trolley jack.
- 5.4.5. Remove the chocks checking the vehicle will not roll.
- 5.4.6. To drive the vehicle off the ramp have a second person, standing clear from vehicle, watching the ramps as the vehicle is driven off to warn of any unwanted movement and to ensure correct alignment.

6. MAINTENANCE

- 6.1. Before each use check that all fixings are secure and that the ramps and stands are undamaged and serviceable.
- 6.2. Wipe down ramps with clean dry cloth after use.
- 6.3. Store in a dry and secure condensation free place.



ENVIRONMENT PROTECTION

Recycle unwanted materials instead of disposing of them as waste. All tools, accessories and packaging should be sorted, taken to a recycling centre and disposed of in a manner which is compatible with the environment. When the product becomes completely unserviceable and requires disposal, drain any fluids (if applicable) into approved containers and dispose of the product and fluids according to local regulations.

Note: It is our policy to continually improve products and as such we reserve the right to alter data, specifications and component parts without prior notice. If you require documentation for alternative versions, please email or call our technical team on technical@sealey.co.uk or 01284 757505.

Important: No Liability is accepted for incorrect use of this product.

Warranty: Guarantee is 12 months from purchase date, proof of which is required for any claim.

Sealey Group, Kempson Way, Suffolk Business Park, Bury St Edmunds, Suffolk. IP32 7AR



01284 757500



01284 703534



sales@sealey.co.uk



www.sealey.co.uk