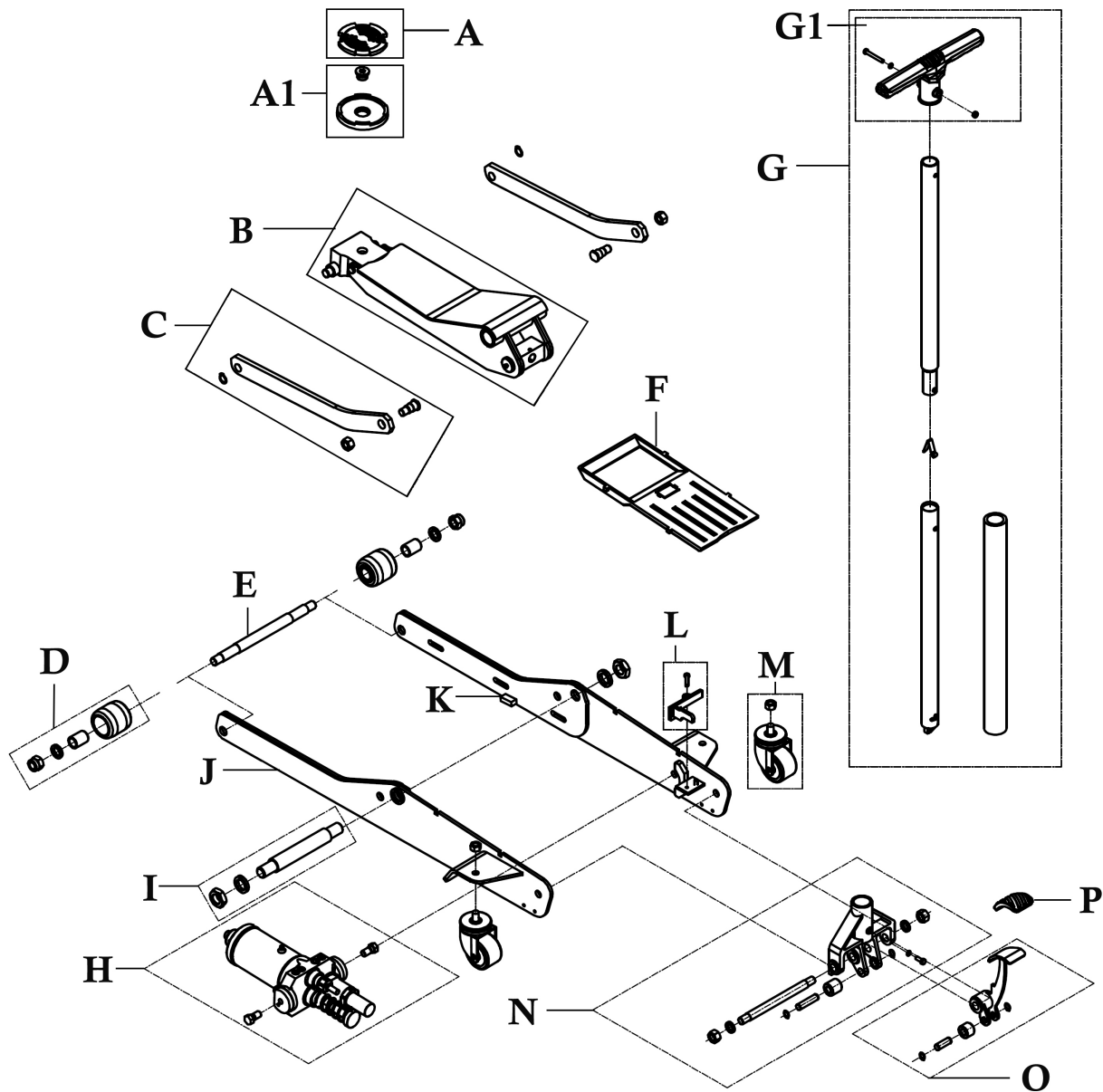


Parts Information:
**Viking 2tonne Low Entry Long Reach
 Trolley Jack with Rocket Lift**
Model No: 2100TB



Item	Part No.	Description
A	2100TB.A	Rubber Saddle Pad
A1	2100TB.A1	Saddle (c/w Saddle Pin)
B	2100TB.B	Lifting Arm Assembly
C	2100TB.C	Lifting Arm Brace (c/w Pins)
D	2100TB.D	Front Wheel Assembly
E	2100TB.E	Front Wheel Axle
F	2100TB.F	Bottom Tray
G	3100TB.F	Handle Assembly
G1	2100TB.G1	Top Handle Grip (T-Shape)

Item	Part No.	Description
H	2100TB.H	Oil Cylinder Assembly (c/w Side Pins)
I	2100TB.I	Lifting Arm Pin
J	2100TB.J	Frame, Left Side
K	2100TB.K	Frame, Right Side
L	2100TB.L	Release Valve Assembly
M	3100TB.D	Rear Wheel Assembly
N	2100TB.N	Handle Socket Assembly
O	2100TB.O	Foot Pedal Assembly
P	2100TB.P	Rubber Foot Pad

NOTE: It is our policy to continually improve products and as such we reserve the right to alter data, specifications and component parts without prior notice. There may be alternative versions of this product, please contact us should you require this information.

IMPORTANT: No liability is accepted for incorrect use of product. Spare parts must be fitted by a competent person

WARRANTY: Guarantee is 12 months from purchase date, proof of which will be required for any claim.