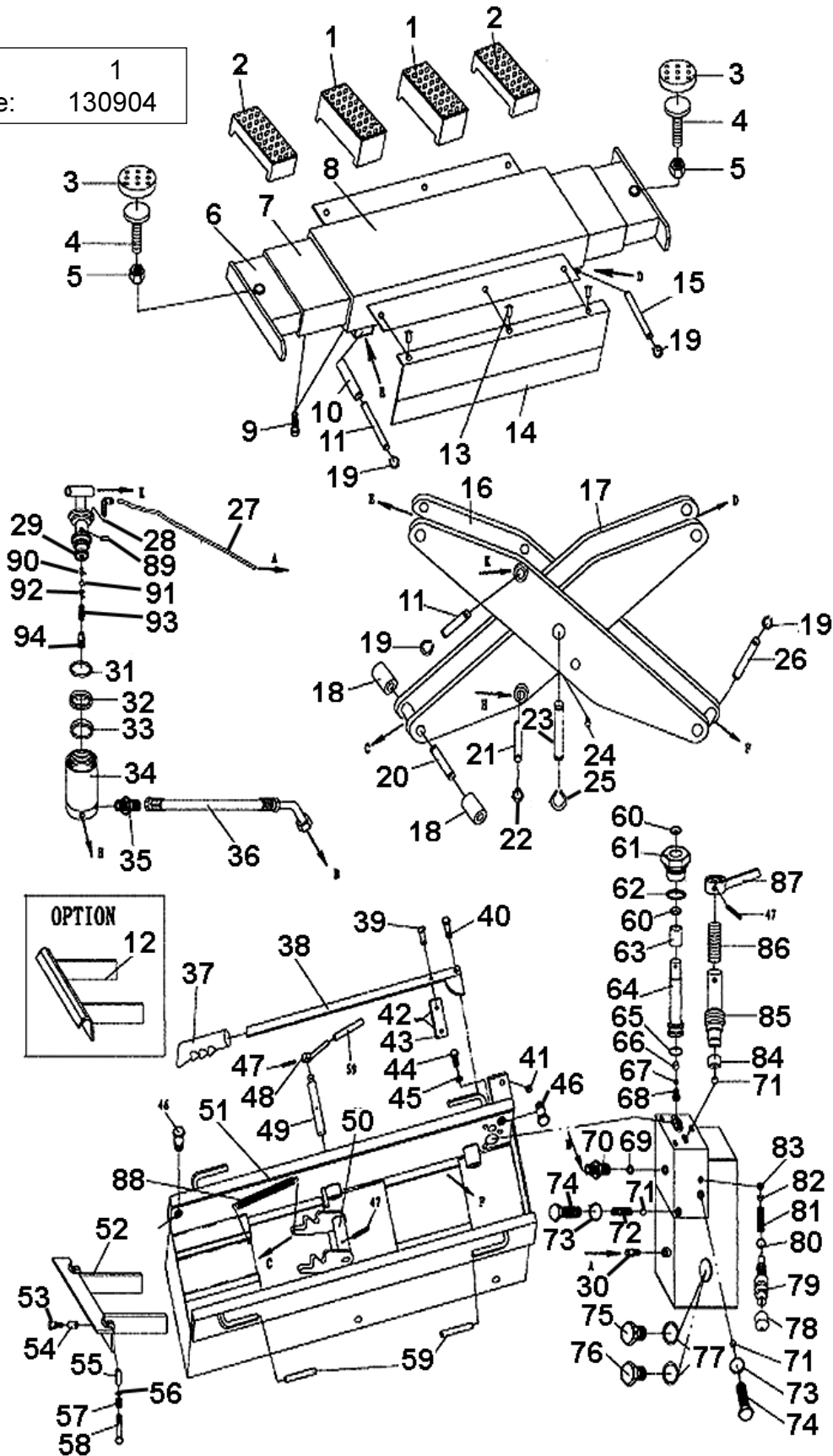
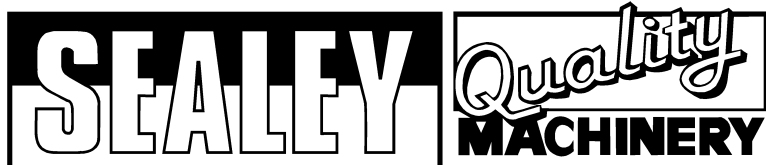


Issue: 1
 Issue Date: 130904





PARTS FOR:
JACKING BEAM
 MODEL: **SBEX200**

Item	Part No.	Description	Item	Part No.	Description
1	SBEX200.01	ALUMINIUM SADDLE 1	48	SBEX200.48	HANDLE KNOB
2	SBEX200.02	ALUMINIUM SADDLE 2	49	SBEX200.49	SHAFT
3	SBEX200.03	RUBBER SADDLE COVER	50	SBEX200.50	SAFETY LOCK
4	SBEX200.04	THREADED SADDLE	51	SBEX200.51	CHASSIS
5	SBEX200.05	NUT	52	SBEX200.52	FLAT-END MOUNTING
6	SBEX200.06	ADJUSTABLE BEAM	53	SBEX200.53	SCREW
7	SBEX200.07	ADJUSTABLE BEAM	54	SBEX200.54	BUSHING
8	SBEX200.08	LIFT BEAM	55	SBEX200.55	BLOCK
9	SBEX200.09	SCREW	56	SBEX200.56	SPRING WASHER
10	SBEX200.10	SHAFT BUSHING	57	SBEX200.57	SPRING
11	SBEX200.11	SHAFT	58	SBEX200.58	BOLT
12	SBEX200.12	HOOK-END MOUNTING	59	SBEX200.59	HANDLE GRIP
13	SBEX200.13	RIVET	60	SBEX200.60	U-RING
14	SBEX200.14	PROTECTIVE PLATE	61	SBEX200.61	PUMP HOUSING
15	SBEX200.15	SHAFT	62	SBEX200.62	SEAL WASHER
16	SBEX200.16	OUTER SCISSORS ARM	63	SBEX200.63	COPPER BUSHING
17	SBEX200.17	INNER SCISSORS ARM	64	SBEX200.64	PISTON
18	SBEX200.18	SHAFT BUSHING	65	SBEX200.65	O-RING
19	SBEX200.19	RETAINING RING	66	SBEX200.66	LINER
20	SBEX200.20	SHAFT	67	SBEX200.67	BALL 5mm
21	SBEX200.21	SHAFT	68	SBEX200.68	SCREW
22	SBEX200.22	RETAINING RING	69	SBEX200.69	SEAL WASHER
23	SBEX200.23	SHAFT	70	SBEX200.70	CONNECTOR
24	SBEX200.24	OIL INLET	71	SBEX200.71	BALL 6.35mm
25	SBEX200.25	RETAINING RING	72	SBEX200.72	SPRING
26	SBEX200.26	SHAFT	73	SBEX200.73	SEAL WASHER
27	SBEX200.27	PU PIPE	74	SBEX200.74	BOLT
28	SBEX200.28	CONNECTOR	75	SBEX200.75	AIR VENT VALVE
29	SBEX200.29	PISTON	76	SBEX200.76	SCREW
30	SBEX200.30	CONNECTOR	77	SBEX200.77	O-RING
31	SBEX200.31	O-RING	78	SBEX200.78	COVER
32	SBEX200.32	RETAINING RING	79	SBEX200.79	ADJUSTMENT SCREW
33	SBEX200.33	U-RING	80	SBEX200.80	O-RING
34	SBEX200.34	CYLINDER	81	SBEX200.81	SPRING
35	SBEX200.35	CONNECTOR	82	SBEX200.82	SPRING GUIDE
36	SBEX200.36	OIL PIPE	83	SBEX200.83	BALL
37	SBEX200.37	HANDLE GRIP	84	SBEX200.84	SEAL WASHER
38	SBEX200.38	HANDLE	85	SBEX200.85	RELEASE ROD
39	SBEX200.39	PIN-SHAFT	86	SBEX200.86	SPRING
40	SBEX200.40	BOLT	87	SBEX200.87	RELEASE KNOB
41	SBEX200.41	NUT	88	SBEX200.88	SPRING
42	SBEX200.42	SPLIT PIN	89	SBEX200.89	PIN
43	SBEX200.43	BLOCK	90	SBEX200.90	PIN
44	SBEX200.44	BOLT	91	SBEX200.91	BALL
45	SBEX200.45	WASHER	92	SBEX200.92	SPRING GUIDE
46	SBEX200.46	BOLT	93	SBEX200.93	SPRING
47	SBEX200.47	SPRING PIN	94	SBEX200.94	SCREW

Issue:	1
Issue Date:	130904

NOTE: It is our policy to continually improve products and as such we reserve the right to alter data, specifications and component parts without prior notice.

IMPORTANT: No liability is accepted for incorrect use of this product.

WARRANTY: Guarantee is 12 months from purchase date, proof of which will be required for any claim.

INFORMATION: For a copy of our latest catalogue and promotions call us on 01284 757525 and leave your full name, address and postcode.

	Sole UK Distributor Sealey Group, Bury St. Edmunds, Suffolk.	01284 757500	www.sealey.co.uk
		01284 703534	sales@sealey.co.uk