



PNEUMATIC BRAKE BLEEDER

MODEL NO: **VS0215**

Thank you for purchasing a Sealey product. Manufactured to a high standard, this product will, if used according to these instructions, and properly maintained, give you years of trouble free performance.

IMPORTANT: PLEASE READ THESE INSTRUCTIONS CAREFULLY. NOTE THE SAFE OPERATIONAL REQUIREMENTS, WARNINGS & CAUTIONS. USE THE PRODUCT CORRECTLY AND WITH CARE FOR THE PURPOSE FOR WHICH IT IS INTENDED. FAILURE TO DO SO MAY CAUSE DAMAGE AND/OR PERSONAL INJURY AND WILL INVALIDATE THE WARRANTY. KEEP THESE INSTRUCTIONS SAFE FOR FUTURE USE.



Refer to instructions



Wear eye protection



Wear protective gloves

1. SAFETY

- ✓ Keep this product in good working order and condition, take immediate action to repair or replace damaged parts.
- ✓ Use approved parts only. Unapproved parts may be dangerous and will invalidate the warranty.
- ✓ Keep children and unauthorised persons away from the work area.
- ✓ Keep work area clean and tidy and free from unrelated materials.
- ✓ Ensure the work area has adequate lighting.
- ✗ **DO NOT** use the kit to perform a task for which it is not designed.
- ✗ **DO NOT** allow untrained persons to use the kit.
- ✗ **DO NOT** use when tired or under the influence of drugs, alcohol or intoxicating medication.
- ✓ After use, clean equipment and store in a cool, dry, childproof area.
- ✓ Dispose of waste liquids in accordance with local authority regulations.
- ✓ Always read and comply with the warnings on the brake fluid container.
- ✓ Wear eye protection and keep skin contact to a minimum. If brake fluid enters eyes rinse with plenty of water and seek medical advice. If swallowed seek medical advice immediately.
- ☐ **WARNING!** Only use new Brake Fluid, used Brake Fluid or other fluids will contaminate the system and possible brake system failure may result.
- ☐ **WARNING! DO NOT** pollute the environment by allowing uncontrolled discharge of fluids.
- ☐ **WARNING!** Brake fluid is flammable - keep away from sources of ignition, including hot surfaces e.g. exhaust manifold.
- ☐ **WARNING!** Brake fluid will damage paintwork. Any spillage should be flushed with water immediately.
- ☐ **WARNING! DO NOT** allow the fluid capacity in the unit to fall below ½ litre during the bleeding process otherwise air may enter the system.
- ✓ Always follow the vehicle service manual or consult a trained professional before starting.
- ✓ Make sure the main tube adapter is firmly connected to the container.
- ✓ Before starting, make sure the cap is firmly connected to the container.
- ✓ Follow the recommended pressure in vehicle service manual. **DO NOT** exceed 20 psi in order not to damage the vehicles hydraulic system.
- ✓ When the pressure is too high, push the relief button to release the pressure and avoid any danger.
- ✗ Never store the fluid in the container.

2. INTRODUCTION

One-man professional pneumatic brake bleeding tool. Bleeding requires no manual effort only an air line, perfect for the busy workshop. Reservoir holds 3ltrs of fluid after extraction, offers a clean method for an automatic discharge at the turn of a valve. Pressure range makes unit suitable for use with ABS systems. Reservoir holds 3 ltrs, plenty to flush a whole system without the risk of running dry.

3. SPECIFICATION

Model No: VS0215
Inlet Size: 1/2" BSP
Maximum Air Supply: 113.8psi
Nett Weight: 1.670kg
Tank Capacity: 3ltr

4. OPERATION

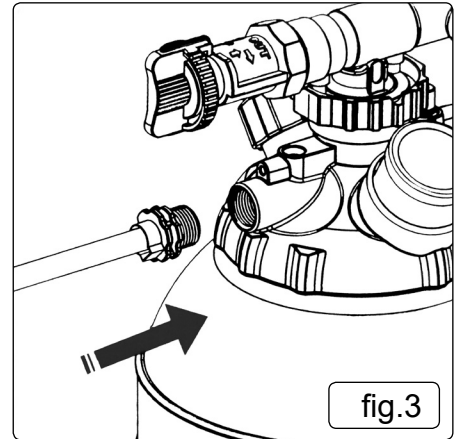
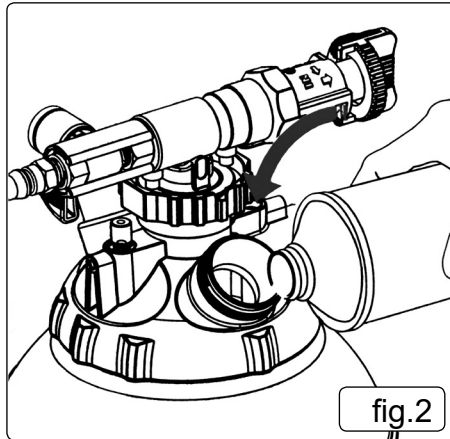
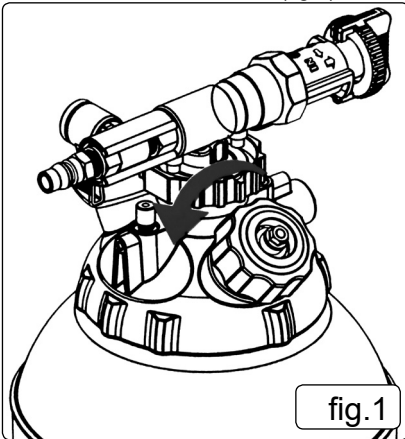
× **DO NOT** touch the vehicle's brake pedal whilst bleeding the brakes.

4.1. OUT

4.1.1. Open the fluid inlet cap. (fig.1)

4.1.2. Pour in the new fluid. (fig.2)

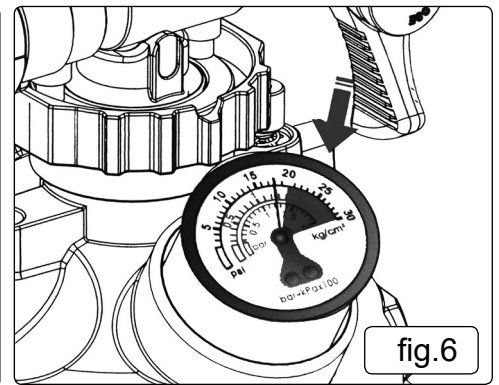
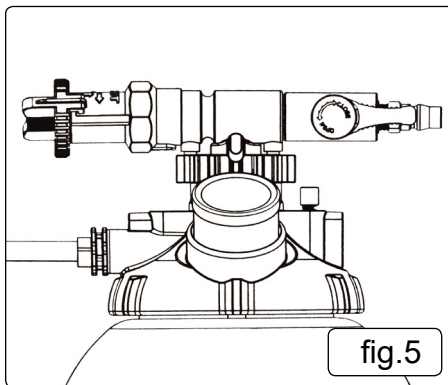
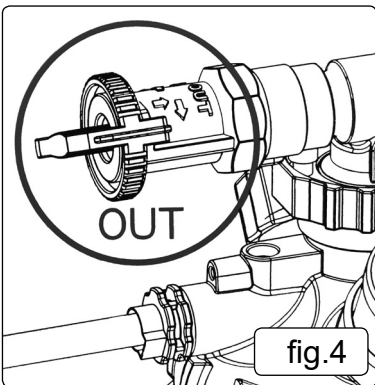
4.1.3. Connect the main tube. (fig.3)



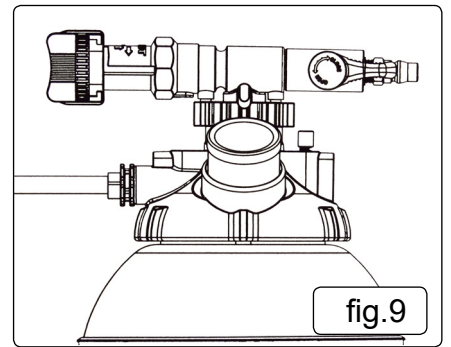
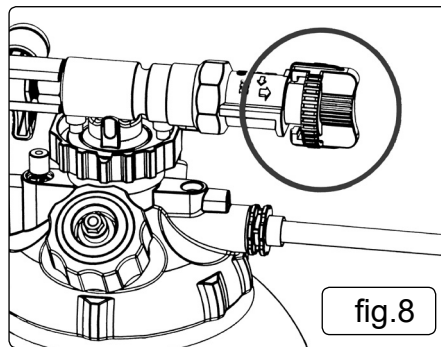
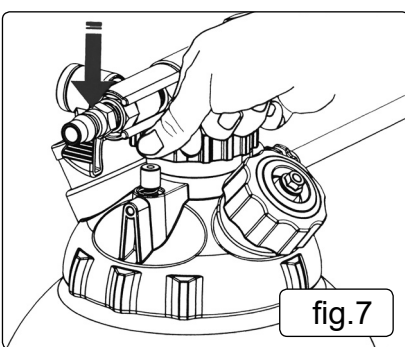
4.1.4. Switch the IN & OUT knob to "OUT" position. (fig.4)

4.1.5. Switch the lever to "OPEN" position. (fig.5)

4.1.6. The pressure will be indicated on the pressure gauge (the safety valve will open automatically). (fig.6)



4.1.7. When the pressure is too high, press the Release Pressure Button. (fig.7)



4.2. IN

4.2.1. Switch the IN & OUT knob to "IN" position. (fig.8)

4.2.2. Switch the lever to "OPEN" position. (fig.9)

5. MAINTENANCE

× Never store the fluid in the container.



ENVIRONMENT PROTECTION

Recycle unwanted materials instead of disposing of them as waste. All tools, accessories and packaging should be sorted, taken to a recycling centre and disposed of in a manner which is compatible with the environment. When the product becomes completely unserviceable and requires disposal, drain any fluids (if applicable) into approved containers and dispose of the product and fluids according to local regulations.

Note: It is our policy to continually improve products and as such we reserve the right to alter data, specifications and component parts without prior notice.

Important: No Liability is accepted for incorrect use of this product.

Warranty: Guarantee is 12 months from purchase date, proof of which is required for any claim.

Sealey Group, Kempson Way, Suffolk Business Park, Bury St Edmunds, Suffolk. IP32 7AR



01284 757500



01284 703534



sales@sealey.co.uk



www.sealey.co.uk