



STRIMMER CORDLESS 20V - BODY ONLY

MODEL NO: **CS20V**

Thank you for purchasing a Sealey product. Manufactured to a high standard, this product will, if used according to these instructions, and properly maintained, give you years of trouble free performance.

IMPORTANT: PLEASE READ THESE INSTRUCTIONS CAREFULLY. NOTE THE SAFE OPERATIONAL REQUIREMENTS, WARNINGS & CAUTIONS. USE THE PRODUCT CORRECTLY AND WITH CARE FOR THE PURPOSE FOR WHICH IT IS INTENDED. FAILURE TO DO SO MAY CAUSE DAMAGE AND/OR PERSONAL INJURY AND WILL INVALIDATE THE WARRANTY. KEEP THESE INSTRUCTIONS SAFE FOR FUTURE USE.



Refer to instructions



Wear eye protection



Wear protective gloves



Wear safety footwear



Wear protective clothing



Wear ear protection



Keep in dry area protect from rain

1. SAFETY

- ✓ Always wear appropriate eye protection, ear protection, substantial footwear, gloves, long trousers whilst operating.
- ✓ Remove ill fitting clothing. Remove ties, watches, rings and other loose jewellery and contain long hair.
- ✓ Inspect and ensure equipment is in good working order before use.
- ✓ Maintain and clean tool and battery pack, regularly. Check air holes are clear.
- ✓ Must be serviced by an authorised agent. Use genuine parts only. Non authorised parts will invalidate the warranty.
- ☐ **WARNING!** Remove battery before: performing maintenance, carrying out adjustments, inspecting the machine after striking an object, before clearing a blockage, before leaving the tool unattended, before moving to the next job location.
- ✓ **WARNING!** Risk assess the work area. Keep bystanders away from the work area.
- * **DO NOT** operate with anyone or pets nearby. Check intended work area for wildlife.
- * **DO NOT** use in bad weather conditions, especially when there is a risk of lightning. **DO NOT** expose to rain. Only use in good light.
- * **DO NOT** use if tool vibrates abnormally, switch off, remove battery and then inspect.
- * **DO NOT** touch hazardous moving parts. Allow to come to a complete stop first.
- * **DO NOT** operate whilst tired, ill under the influence of alcohol or other intoxicating drugs.
- * **DO NOT** overreach and keep balance at all times.
- * **DO NOT** use if damaged. **DO NOT** operate with defective guards or shields or without safety devices.
- * **DO NOT** use for a task it was not designed to perform.
- ✓ Store with the battery removed and separate from the machine, in a dry, childproof location.
- ☐ **WARNING!** Never allow **children**, persons with reduced physical sensory or mental capabilities or lack of experience and knowledge or people unfamiliar with these instructions to use the machine, local regulations may restrict the age of the operator.

2. INTRODUCTION

Lightweight cordless strimmer makes gardening easy, clean and effective. Fully adjustable in height and cutting angles. Head can be adjusted vertically between 0°-50° (4 settings available). Head can also be rotated between 0°-90° both ways for applications such as lawn edge cutting. Works in conjunction with our one battery fits all program. Body only. (Includes 10 x plastic blades). Powered by a 2Ah or 4Ah battery and mains charger (not included).

3. SPECIFICATION

Model No: **CS20V**
 Cutting Mechanism: Plastic Blade
 Cutting Width: 260mm
 No Load Speed: 8000rpm
 Voltage: 20V Li-ion
 Nett Weight: 1.5kg
 Vibration: 5.8m/s²
 Uncertainty: 2.3m/s²
 Noise Power: 88dB(A)
 Noise Pressure: 78dB(A)
CP20VBP2: (Sold Separately) 2ah Battery
CP20VBP4: (Sold Separately) 4ah Battery
CP20VMC:(Sold Separately) Mains Charger



4. ASSEMBLY

4.1. FIT SAFETY HOOD

4.1.1. Push the guard hood in the direction of the arrow onto the motor housing as shown in (fig.1).

4.1.2. Make sure it latches in place correctly.

4.2. FIT EDGE GUIDE

4.2.1. Fit both ends of the edge guide into the lashing eye as shown in (fig.2).

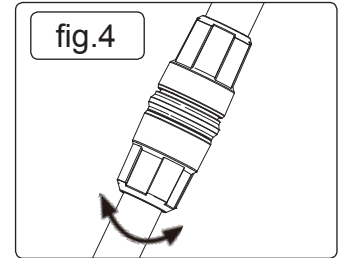
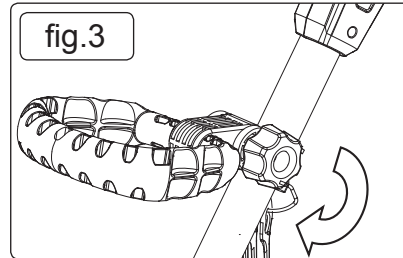
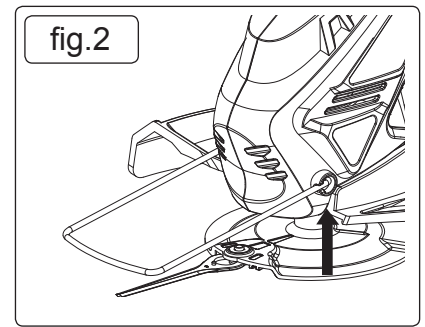
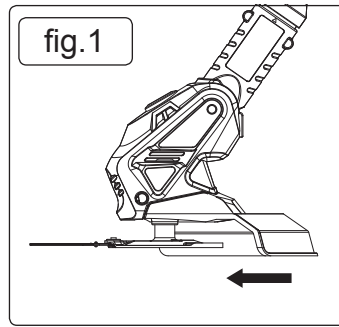
4.3. ADJUSTING ADDITIONAL HANDLE

4.3.1. Undo the securing screw on the additional handle to adjust angle (fig.3).

4.3.2. Set the required position and tighten the securing screw (fig.3).

4.4. ADJUSTING THE HEIGHT

4.4.1. Undo the union nut until the grass trimmer handle can be moved in and out freely. Now set the required working height (fig.4) and secure the handle in this position by tightening the union nut again.



5. OPERATION

WARNING! Only use this machine for its intended use.

DO NOT use the grass trimmer without the guard.

DO NOT cut grass when it is wet. The best results are achieved with dry grass.

Always wear appropriate eye protection, ear protection, substantial footwear, gloves, long trousers whilst operating.

5.1. Push the battery pack into the mount provided (fig.5).

5.2. To remove the battery pack, press the battery pack button and pull the battery out.

5.3. ADJUSTING THE ANGLE OF TILT OF THE GUIDE HANDLE

5.3.1. Press the button for the angle of tilt adjustment (fig.9). Now set the long handle to the required tilt. Release the button and allow the handle to lock into position to fix the angle of tilt. Four different locking angles are possible.

5.4. To switch on your grass trimmer press the safety lock-off (fig.6) and then press the On/Off switch (fig.6).

5.5. To switch off your grass trimmer, let go of the On/Off switch.

WARNING! The blade will continue to spin for a few seconds after the ON/OFF switch is released.

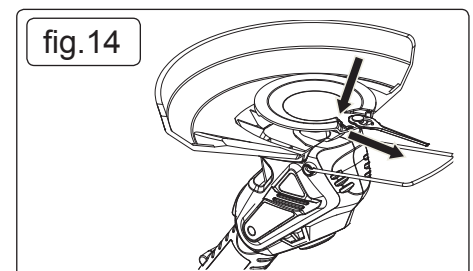
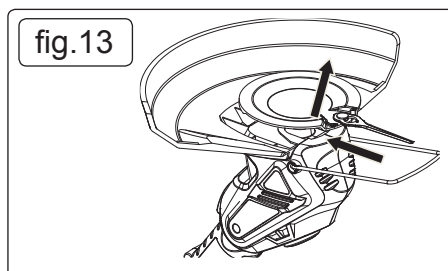
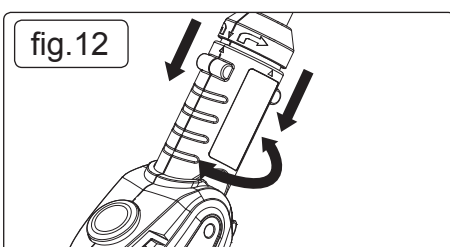
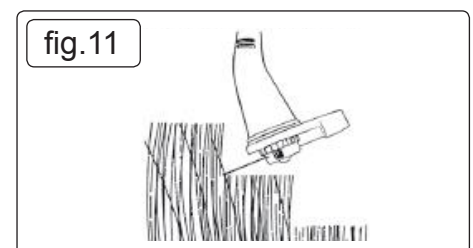
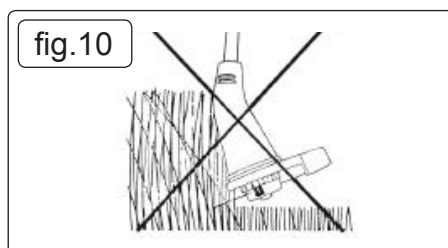
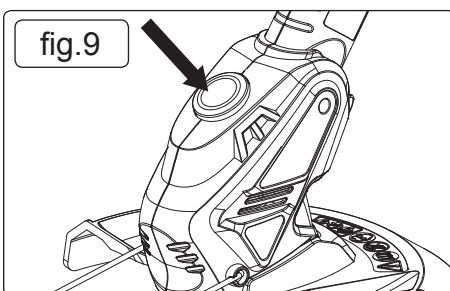
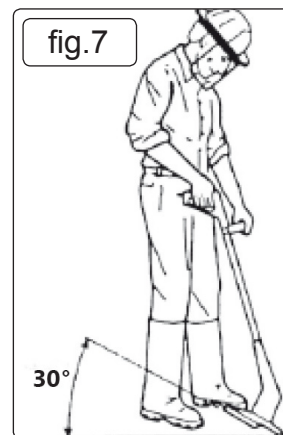
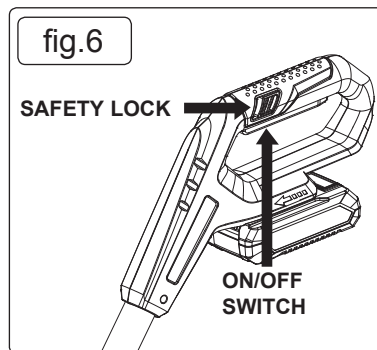
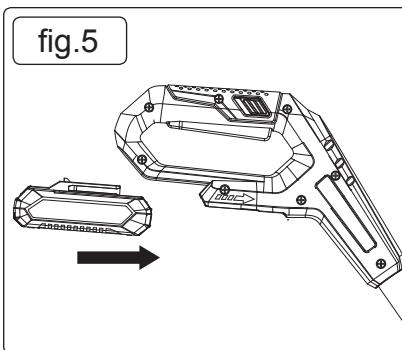
DO NOT allow the grass trimmer near the grass until the switch is pressed and the grass trimmer is in operation.

5.6. To cut properly, swing the machine sideways while moving forwards. Keep the grass trimmer inclined at an angle of approx. 30° while you do so (fig.7 & 8).

5.6.1. If the grass is long, the grass must be cut shorter in stages, starting from the tip (fig.10 & 11).

5.6.2. Use the guard hood to prevent unnecessary wear.

5.6.3. To avoid unnecessary wear, keep the grass trimmer away from hard objects.



USING THE GRASS TRIMMER AS AN EDGE TRIMMER

- 5.7. To cut the edges of lawns and flower beds, the grass trimmer can be converted as follows:
IMPORTANT Remove the battery pack.
- 5.7.1. Push and turn the motor head through 90° in the required direction until it latches in place (fig.12).
- 5.7.2. Now the grass trimmer has been converted to an edge trimmer that cuts vertically.

6. MAINTENANCE

- WARNING!** before cleaning the grass trimmer, pull out the battery pack.
- 6.1. CLEANING**
- 6.1.1. Keep all safety devices, air vents and the motor housing free of dirt and dust as far as possible. Wipe the equipment with a clean cloth or blow it down with compressed air at low pressure.
- 6.1.2. Always clean the equipment immediately after use.
- 6.1.3. Clean the equipment regularly with a damp cloth and some mild soap. **DO NOT** use cleaning agents or solvents, these may be aggressive to the plastic parts in the equipment. Ensure that no water can get into the interior of the equipment. The ingress of water into an electric tool increases the risk of an electric shock.
- 6.1.4. Use a brush to remove deposits from the safety guard.
- 6.2. REPLACING THE BLADE**
- IMPORTANT** Be sure to remove the battery pack before replacing.
- 6.2.1. To remove the blade, push the blade inwards and remove it through the larger opening as shown (fig.13).
- 6.2.2. To fit the new blade, proceed in reverse order. Make sure the blade locks into place correctly (fig.14).
- 6.3. STORAGE**
- 6.3.1. Remove battery. Store carefully in a secure, dry place, out of the reach of children.

WARNING! – Risk of Hand Arm Vibration Injury.

This tool may cause Hand Arm Vibration Syndrome if its use is not managed adequately.

This tool is subject to the vibration testing section of the Machinery Directive 2006/42/EC.

This tool is to be operated in accordance with these instructions.

Measured vibration emission value (a): 5.8 m/s²

Uncertainty value (k): 2.3 m/s²

Please note that the application of the tool to a sole specialist task may produce a different average vibration emission. We recommend that a specific evaluation of the vibration emission is conducted prior to commencing with a specialist task.

A health and safety assessment by the user (or employer) will need to be carried out to determine the suitable duration of use for each tool.

NB: Stated Vibration Emission values are type-test values and are intended to be typical.

Whilst in use, the actual value will vary considerably from and depend on many factors.

Such factors include; the operator, the task and the inserted tool or consumable.

NB: ensure that the length of leader hoses is sufficient to allow unrestricted use, as this also helps to reduce vibration.

The state of maintenance of the tool itself is also an important factor, a poorly maintained tool will also increase the risk of Hand Arm Vibration Syndrome.

Health surveillance.

We recommend a programme of health surveillance to detect early symptoms of vibration injury so that management procedures can be modified accordingly.

Personal protective equipment.

We are not aware of any personal protective equipment (PPE) that provides protection against vibration injury that may result from the uncontrolled use of this tool. We recommend a sufficient supply of clothing (including gloves) to enable the operator to remain warm and dry and maintain good blood circulation in fingers etc. Please note that the most effective protection is prevention, please refer to the Correct Use and Maintenance section in these instructions. Guidance relating to the management of hand arm vibration can be found on the HSE website www.hse.gov.uk - Hand-Arm Vibration at Work.

Parts support is available for this product. Please log on to www.sealey.co.uk, email sales@sealey.co.uk or telephone 01284 757500



ENVIRONMENT PROTECTION

Recycle unwanted materials instead of disposing of them as waste. All tools, accessories and packaging should be sorted, taken to a recycling centre and disposed of in a manner which is compatible with the environment. When the product becomes completely unserviceable and requires disposal, drain any fluids (if applicable) into approved containers and dispose of the product and fluids according to local regulations.



WEEE REGULATIONS

Dispose of this product at the end of its working life in compliance with the EU Directive on Waste Electrical and Electronic Equipment (WEEE). When the product is no longer required, it must be disposed of in an environmentally protective way. Contact your local solid waste authority for recycling information.

Note: It is our policy to continually improve products and as such we reserve the right to alter data, specifications and component parts without prior notice.

Important: No Liability is accepted for incorrect use of this product.

Warranty: Guarantee is 12 months from purchase date, proof of which is required for any claim.

Sealey Group, Kempson Way, Suffolk Business Park, Bury St Edmunds, Suffolk. IP32 7AR



01284 757500



01284 703534



sales@sealey.co.uk



www.sealey.co.uk