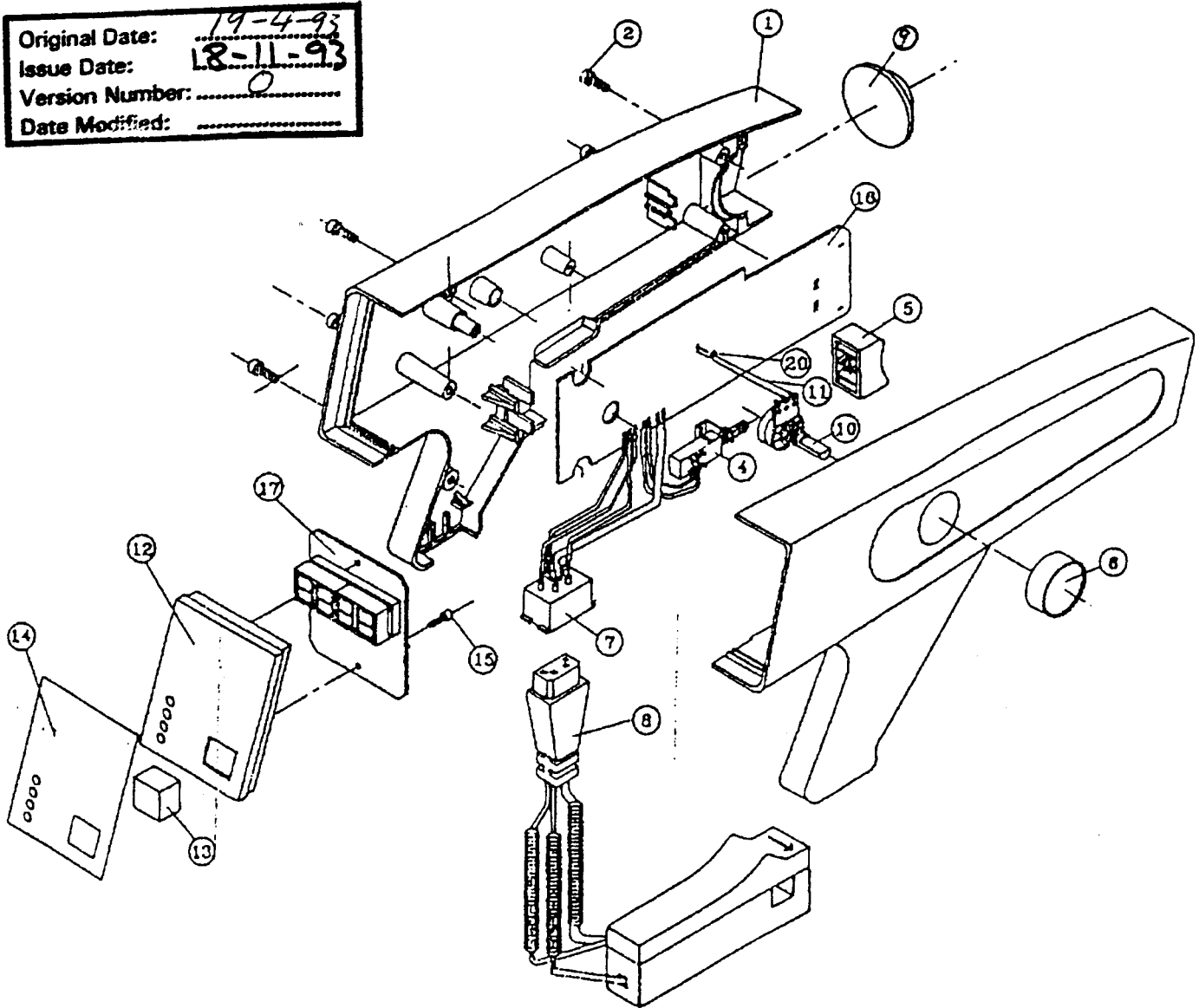


TL93 DIGITAL TIMING LIGHT

Original Date: 19-4-93
 Issue Date: 18-11-93
 Version Number: 0
 Date Modified:



TL93/01 HOUSING COMPLETE
 TL93/02 SCREW
 TL93/04 SWITCH, 2 STEP
 TL93/05 PUSH BUTTON
 TL93/06 ROTARY SWITCH
 TL93/07 SOCKET
 TL93/08 1.5M CABLE
 TL93/09 LENS
 TL93/10 VARIABLE RESISTOR

TL93/11 WIRE
 TL93/12 METER COVER
 TL93/13 FUNCTION BUTTON
 TL93/14 LABEL, REAR
 TL93/15 SCREW
 TL93/16 P.C. BOARD, LARGE
 TL93/17 P.C. BOARD, SMALL
 TL93/20 SCREW

