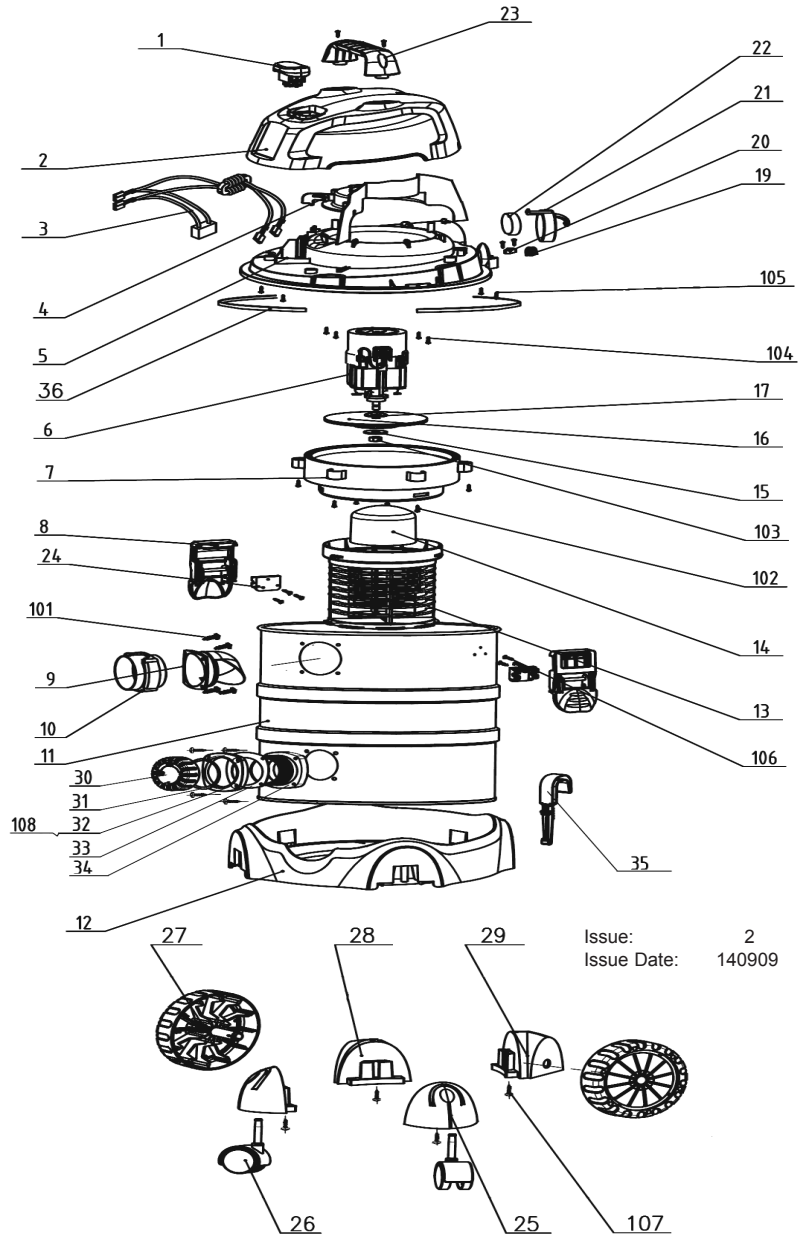


ITEM	PART NO	DESCRIPTION
1	PC200SD.V3-01	SWITCH
2	PC200SD.V3-02	UPPER COVER
3	PC200SD.V3-03	INDUCTANCE SET
4	PC200SD.V3-04	AIR OUTLET
5	PC200SD.V3-05	LOWER COVER
6	PC200SD.V3-06	MOTOR
7	PC200SD.V3-07	TRAY
8	PC200SD.V3-08	BIN CLIP
9	PC200SD.V3-09	HOSE INLET BASE
10	PC200SD.V3-10	HOSE INLET
11	PC200SD.V3-11	TANK
12	PC200SD.V3-12	BASE
13	PC200SD.V3-13	BASKET
14	PC200SD.V3-14	FLOAT
15	PC200SD.V3-15	BOARD
16	PC200SD.V3-16	FAN SET
17	PC200SD.V3-17	WASHER
19	PC200SD.V3-19	CORD SLEEVE
20	PC200SD.V3-20	CORD CLAMP
21	PC200SD.V3-21	FILTER COVER
22	PC200SD.V3-22	FOAM FILTER
23	PC200SD.V3-23	HANDLE
24	PC200SD.V3-24	HOOK BASE
25	PC200SD.V3-25	FOOT SUPPORT
26	PC200SD.V3-26	CASTOR
27	PC200SD.V3-27	WHEEL (BIG)
28	PC200SD.V3-28	FOOT SUPPORT
29	PC200SD.V3-29	FOOT SUPPORT
30	PC200SD.V3-30	WATERSPOUT COVER
31	PC200SD.V3-31	DRAIN INLET
32	PC200SD.V3-32	WATERSPOUT SEAT
33	PC200SD.V3-33	SEAL RING
34	PC200SD.V3-34	WATERSPOUT
35	PC200SD.V3-35	CORD HOOK
36	PC200SD.V3-36	FOAM RING
101	PC200SDV3.101	SCREW (ST3.9 x 14)
102	PC200SDV3.102	SCREW (ST3.9 x 16F)
103	PC200SDV3.103	NUT M8
104	PC200SDV3.104	SCREW (ST4.2 x 12F)
105	PC200SDV3.105	SCREW (ST3.9 x 16F)
106	PC200SDV3.106	SCREW (ST3.5 x 8F)
107	PC200SDV3.107	SCREW (ST4.2 x 16F)
108	PC200SDV3.108	SCREW (ST4.2 x 14F)



Issue: 2  
 Issue Date: 140909

### ACCESSORIES

ITEM	PART NO	DESCRIPTION
37	PC200SD.V3-37	HOSE 1.5m
38	PC200SD.V3-38	TELESCOPIC TUBE (STAINLESS)
39	PC200SD.V3-39	CREVICE TOOL
40	PC200SD.V3-40	ADJUSTABLE TUBE, AIR
41	PC200SD.V3-41	FLOOR BRUSH
42	PC200SD.V3-42	NOISE DIFFUSER MUFFLER
43	PC200CFL	LOCKING CARTRIDGE FILTER
44	PC200FF10	FOAM FILTERS (pk of 10)
--	PC200PB5	DUST COLLECTION BAGS (OPTIONAL) (pk of 5) (not shown)



**NOTE:** It is our policy to continually improve products and as such we reserve the right to alter data, specifications and component parts without prior notice.

**IMPORTANT:** No liability is accepted for incorrect use of product.

**WARRANTY:** Guarantee is 12 months from purchase date, proof of which will be required for any claim.

**INFORMATION:** For a copy of our latest catalogue and promotions call us on 01284 757525 and leave your full name and address, including postcode.