



PRESSURE WASHER TWIN FLOW150BAR 810LTR/HR 230V MODEL NO: PWTF2200

Thank you for purchasing a Sealey product. Manufactured to a high standard, this product will, if used according to these instructions, and properly maintained, give you years of trouble free performance.

IMPORTANT: PLEASE READ THESE INSTRUCTIONS CAREFULLY. NOTE THE SAFE OPERATIONAL REQUIREMENTS, WARNINGS & CAUTIONS. USE THE PRODUCT CORRECTLY AND WITH CARE FOR THE PURPOSE FOR WHICH IT IS INTENDED. FAILURE TO DO SO MAY CAUSE DAMAGE AND/OR PERSONAL INJURY AND WILL INVALIDATE THE WARRANTY. KEEP THESE INSTRUCTIONS SAFE FOR FUTURE USE.



Refer to instructions



Wear eye protection



Wear protective gloves



Wear safety footwear



Wear protective clothing



Wear ear protection



DO NOT direct jet against yourself, other persons, animals, electrical equipment or the machine itself



DO NOT drink water from pressure washer

1. SAFETY

1.1. ELECTRICAL SAFETY

- ❑ **WARNING!** It is the user's responsibility to check the following:
Check all electrical equipment and appliances to ensure that they are safe before using. Inspect power supply leads, plugs and all electrical connections for wear and damage. Sealey recommend that an RCD (Residual Current Device) is used with all electrical products. You may obtain an RCD by contacting your local Sealey stockist.

If the product is used in the course of business duties, it must be maintained in a safe condition and routinely PAT (Portable Appliance Test) tested.

Electrical safety information, it is important that the following information is read and understood.

- 1.1.1. Ensure that the insulation on all cables and on the appliance is safe before connecting it to the power supply.
- 1.1.2. Regularly inspect power supply cables and plugs for wear or damage and check all connections to ensure that they are secure.
- 1.1.3. **Important:** Ensure that the voltage rating on the appliance suits the power supply to be used and that the plug is fitted with the correct fuse - see fuse rating in these instructions.

- * **DO NOT** pull or carry the appliance by the power cable.
- * **DO NOT** pull the plug from the socket by the cable. Remove the plug from the socket by maintaining a firm grip on the plug.
- * **DO NOT** use worn or damaged cables, plugs or connectors. Ensure that any faulty item is repaired or replaced immediately by a qualified electrician.

- 1.1.4. This product is fitted with a BS1363/A 13 Amp 3 pin plug.
If the cable or plug is damaged during use, switch off the electricity supply and remove from use.
Replace a damaged plug with a BS1363/A 13 Amp 3 pin plug. If in doubt contact a qualified electrician.
Class II products are wired with live (brown) and neutral (blue) only are marked with the Class II symbol;

- A) Connect the BROWN live wire to the live terminal 'L'.
- B) Connect the BLUE neutral wire to the neutral terminal 'N'.
- C) After wiring, check that there are no bare wires and ensure that all wires have been correctly connected.

Ensure that the cable outer sheath extends inside the cable restraint and that the restraint is tight.

- * **DO NOT** connect either wire to the earth terminal.
Sealey recommend that repairs are carried out by a qualified electrician.

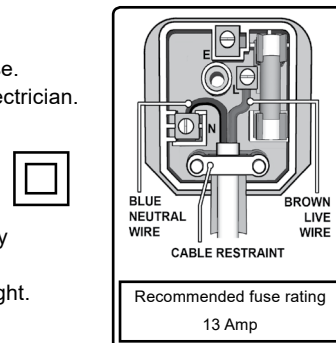
1.2. GENERAL SAFETY

- ❑ **WARNING!** Water and electricity are dangerous partners. Be extremely cautious and ALWAYS be aware that this device uses an electric motor. Always plug into a RCD (See electrical safety above). Unplug from mains before changing accessories or servicing.
- ❑ **WARNING! DO NOT** use the washer if any part of the unit, gun, nozzle, detergent tank, hose or cables is damaged. Replace or repair using genuine parts only. Unauthorised parts may be dangerous and will invalidate your warranty. Always check connections are correctly secured and not cracked or damaged in any way before using the machine.

- ❑ **WARNING!** Use washer on a flat, levelled surface, in an upright position. Failure to do so will invalidate your warranty.

- * **NEVER** lay the washer down during use.
- ✓ Ensure you comply with all local water supply regulations. Power washers may only be connected to mains water supply if a check valve is installed in the supply hose, or at the tap outlet.
- ✓ The supply hose must be reinforced, and have an internal diameter of 1/2". The water supply must be at least equal to the cleaner capacity. The water temperature must **NOT** exceed 122°F (50°C). The water supply pressure must **NOT** exceed 6 bar (90psi).
- ✓ Always be aware of the hazards that may occur during use. Study all applications and limitations of the washer before use.
- ✓ Use where air can freely circulate around the washer to avoid the machine overheating.
- ✓ Keep the washer in good condition. Use an authorised service agent to service the unit. Only use authorised spare parts.
- ✓ Wear adequate protective clothing, goggles and anti-slip rubber soled footwear.
- ✓ Position the washer as near to the water supply as possible.

- ❑ **WARNING!** Ensure all persons and animals keep at a minimum distance of 15mtr from the washer when in use. All persons within 15mtrs shall wear appropriate P.P.E.
- ❑ **WARNING!** The pressure washer must only be used with clean water. Unfiltered water or corrosive chemicals must not be used as these will damage the cleaner.
- ✓ Ensure the nozzle is aimed correctly at the work surface before switching on the machine.
- ✓ Before activating the trigger, grip the gun firmly to counteract the recoil from the high pressure water jet.



- WARNING!** Avoid sudden bursts of water as these will cause water pressure to drop and put extreme pressure on hoses and connectors.
- ✓ If, during operation, power failure occurs turn the electricity and water off for safety reasons.
- WARNING!** The high pressure jet will cause loose particles to be propelled at high speed, which may cause serious injury.
- WARNING! DO NOT** operate the machine without a water supply. Dry running can seriously damage the unit.
- WARNING! DO NOT** leave the washer switched on for more than 15 minutes without operating the trigger.
- × **DO NOT** obstruct ventilation grilles during operation.
- × **DO NOT** use the washer with flammable or toxic liquids or any other product. Use only recommended detergent. Unapproved detergents may corrode the machine cover and accessories.
- × **DO NOT** jam the trigger in the operating position.
- × **DO NOT** adjust any internal control valves, as they have been factory set.
- × **DO NOT** connect other appliances to the machine inlet or outlet.
- × **DO NOT** use hoses and fittings other than those designed for use with this machine.
- × **DO NOT** move the unit by pulling the hoses or electrical cables. Use the handle and transport by means of the wheels.
- × **DO NOT** touch plug with wet hands. To avoid the risk of electrocution keep all connections dry and off the ground.
- × **DO NOT** direct jet against yourself, other persons, animals, electrical equipment or the machine itself.
- × **DO NOT** use washer if you are tired or under the influence of alcohol, drugs or intoxicating medication.
- × **DO NOT** allow children or untrained persons to operate the washer.
- WARNING!** Discharge residual pressure before disconnecting the washer hose. Pressure left in unit may cause injury.
- ✓ After use, disconnect washer from electrical mains and water supply and store in a safe, dry, childproof area.
- ✓ Protect from freezing conditions during winter.
- WARNING!** Using the appliance to wash tyres may damage the tyre and can be dangerous.
- × **DO NOT** point the high pressure jet straight at the tyre.
- ✓ Always use the appliance at the lowest pressure setting when cleaning in the vicinity of wheels and tyres.
- × **DO NOT** use the "Turbo Lance" for washing any part of the vehicle.
- × **DO NOT** cover the ventilation grilles when the appliance is in use.
- WARNING!** During operation the appliance must be positioned on a firm, stable surface.
- WARNING! DO NOT** direct jet against yourself or others in order to clean clothes or foot-wear.
- WARNING!** Water that has flowed through backflow preventers is considered to be non-potable.
- WARNING!** Inadequate extension cords can be dangerous. If an extension cord is used, it shall be suitable for outdoor use, and the connection has to be kept dry and off the ground. It is recommended that this is accomplished by means of a cord reel which keeps the socket at least 60mm above the ground.

NOTE: This appliance is not intended for use by persons (including children) with reduced physical, sensory or mental capabilities or lack of experience and knowledge, unless they have been given supervision or instruction concerning the use of the appliance by a person responsible for their safety. Children should be supervised to ensure that they **DO NOT** play with the appliance.

2. INTRODUCTION

Brand new patent design which is fitted with 2 pumps giving more washing power when you need it. Fitted with 2 washing programs. Eco soft cleaning only activates 1 pump when you need to remove light dirt from bicycles, cars or you want fences, outdoor furniture and sun shades to seem like new. Fast cleaning activates both pumps together and in use with the new twin flow lance gets rid of the toughest dirt and stains from stone and cement flooring, brick walls, roofs and construction applications. Twin flow lance included will boost cleaning performance on wide surfaces, saving a lot of your time and effort, up to 70%. Fitted with 8m high pressure hose, 5m power cable and heavy-duty wheels.

3. SPECIFICATION

Model No: PWTF2200
 Hose Length:..... 8m
 IP Rating:..... IPX5
 Maximum Inlet Pressure: 10bar
 Maximum Pressure: 150bar(2200psi)
 Maximum Water Flow:..... 13.5ltr/min
 Motor Power:.....2500W
 Nett Weight: 14kg
 Peak Water Temperature: 50°C
 Rated Pressure: 100bar
 Supply:..... 230V - 50Hz
 Total Stop System: Yes
 Water Flow Rate: 9.5ltr/min

4. ASSEMBLY

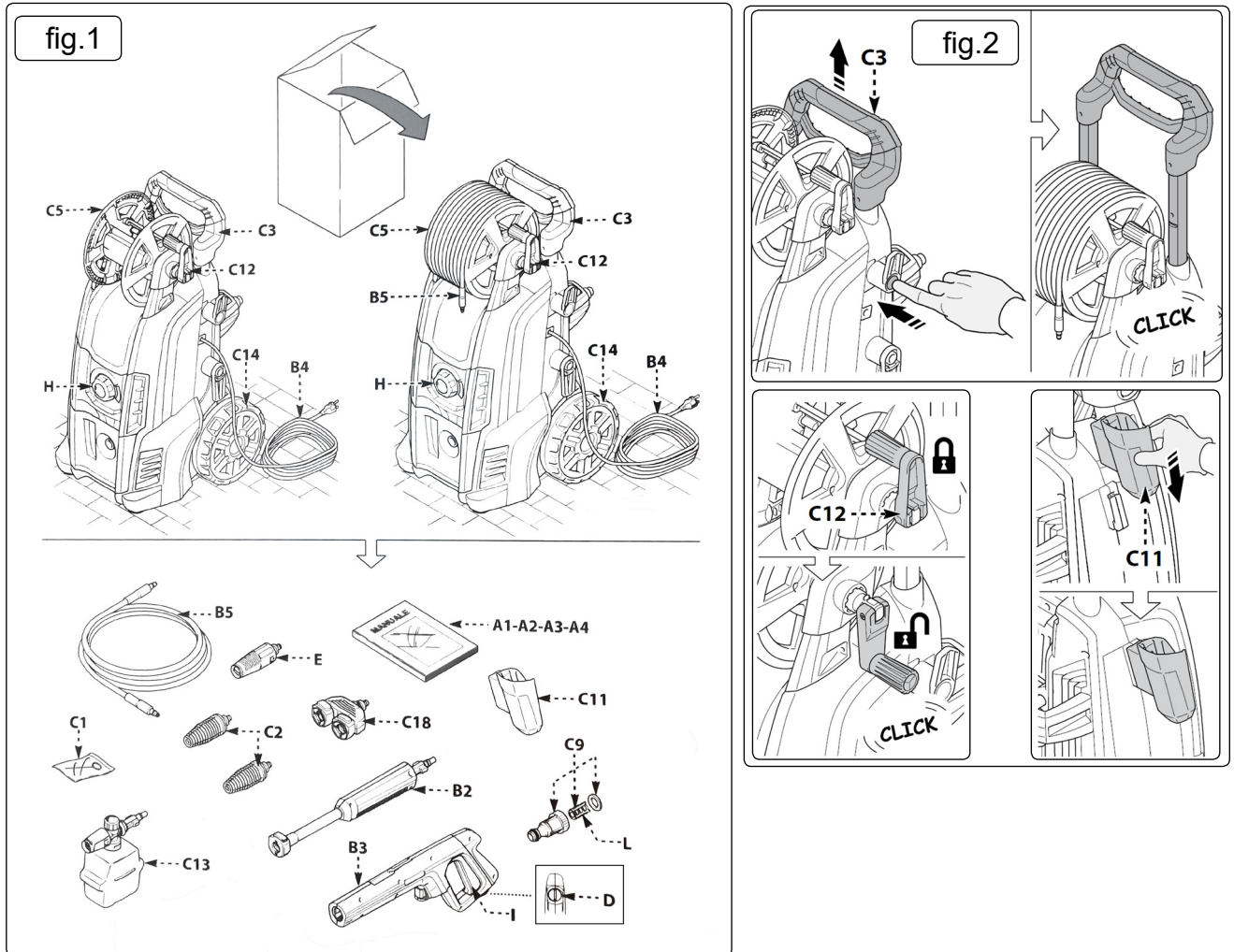
4.1. Check contents against figure 1

- **WARNING!** All installation and assembly operations must be performed with the appliance disconnected from the mains power supply.

4.1.1 Adjust Handles to correct height, by pressing the top button in the cable tidy hook (fig.2).

4.1.2 Unlock the spool handle (fig.2).

4.1.3 Slide the lance holder into place (fig.2).



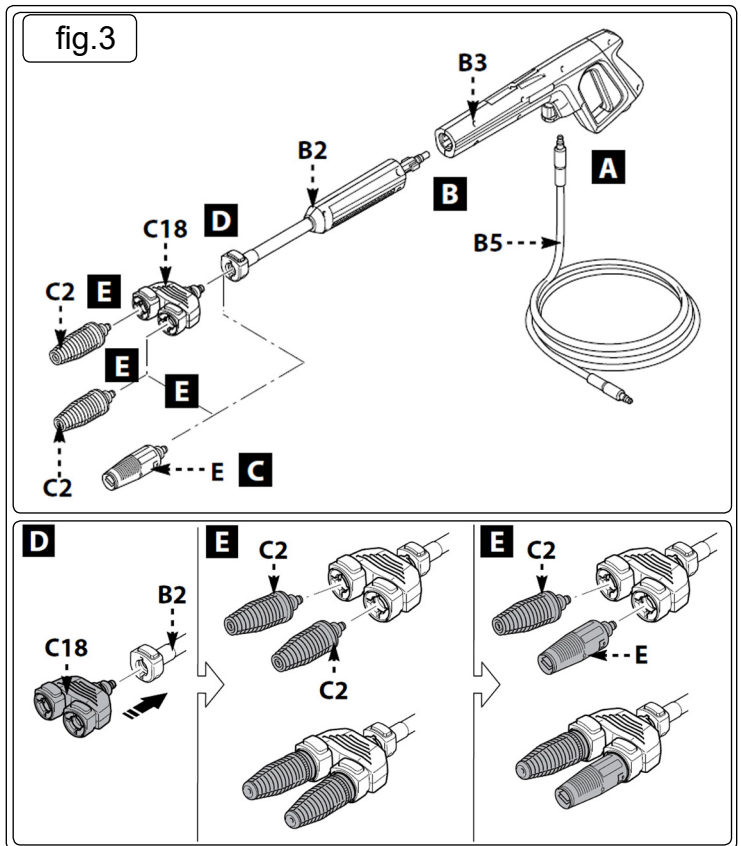
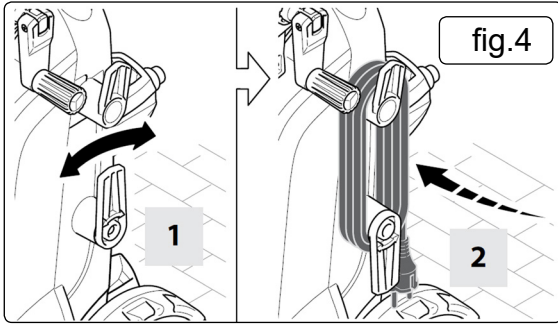
4.2. CONNECTION TO THE MAINS WATER SUPPLY

4.2.1. The appliance may only be connected directly to the mains drinking water supply if the supply hose is fitted with a back flow Make sure that the hose is at least Ø 13mm, that it is reinforced and that it is not more than 25m long.

4.3. SUCTION OF WATER FROM OPEN CONTAINERS

- 1) Screw the inlet hose with filter to the water INLET and insert it down to the bottom of the container.
- 2) Vent the air from the appliance:
 - a) Unscrew the lance.
 - b) Start the appliance and keep the gun open until there are no air bubbles in the water flowing out.
- 3) Switch the appliance off and screw the lance back on.

N.B.: The maximum suction height is 0.5m. The suction hose should be filled before use.



4.4. CONNECTING AND SET UP (FIG.5)

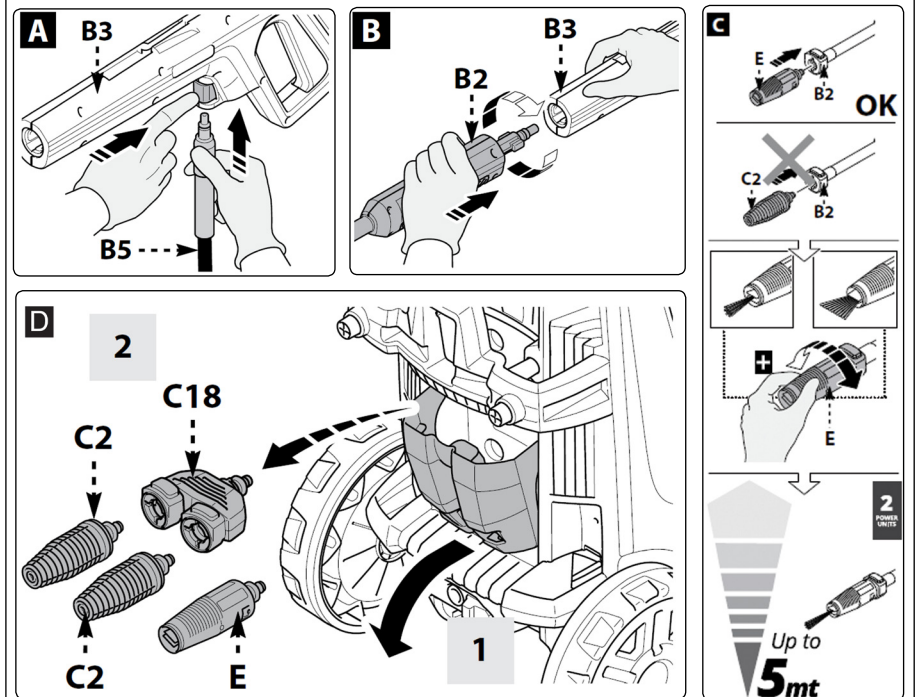
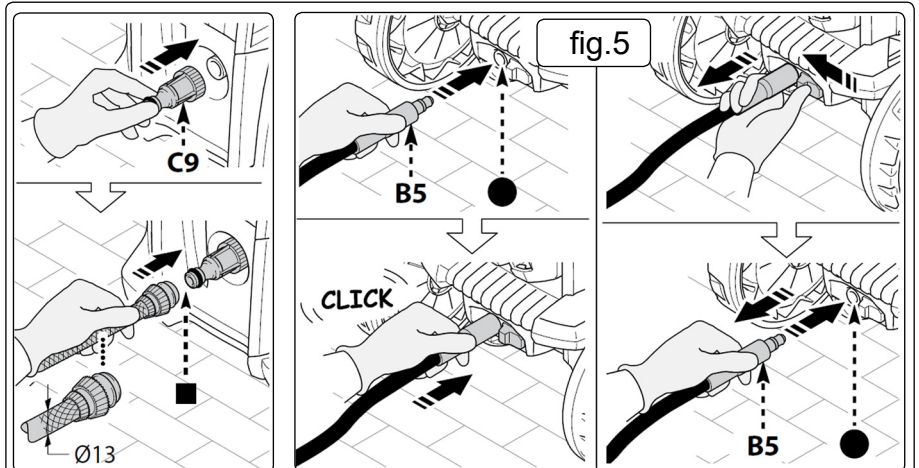
- 4.4.1. Connect the water supply to the inlet on the front of the machine.
- 4.4.2. Connect B5 pressure washer hose to the rear outlet port.
- 4.4.3. Connect other end of B5 to lance handle.
- 4.4.4. Twist the bottom cable tidy hook up to release all of the cable. (fig.2).
- 4.4.5. Flip the storage compartment out. Use this to store nozzles that you are not using (fig.2).
- 4.4.6. Connect the lance to the lance handle by firmly pushing the lance into the lance handle and twisting it at the same time (fig.5.B).
- 4.4.7. Connect nozzle E to lance or connect C18 and nozzles to lance (fig.3).

4.5. WATER SUPPLY CONNECTION (FIG.5)

- Water outlet (OUTLET)
 - Water inlet with filter (INLET)
- WARNING** Only clean or filtered water should be supplied to the appliance. The flow rate of the water inlet tap should be equal to the pump flow rate. Place the appliance as close to the water supply system as possible.

4.6. ELECTRICAL CONNECTION

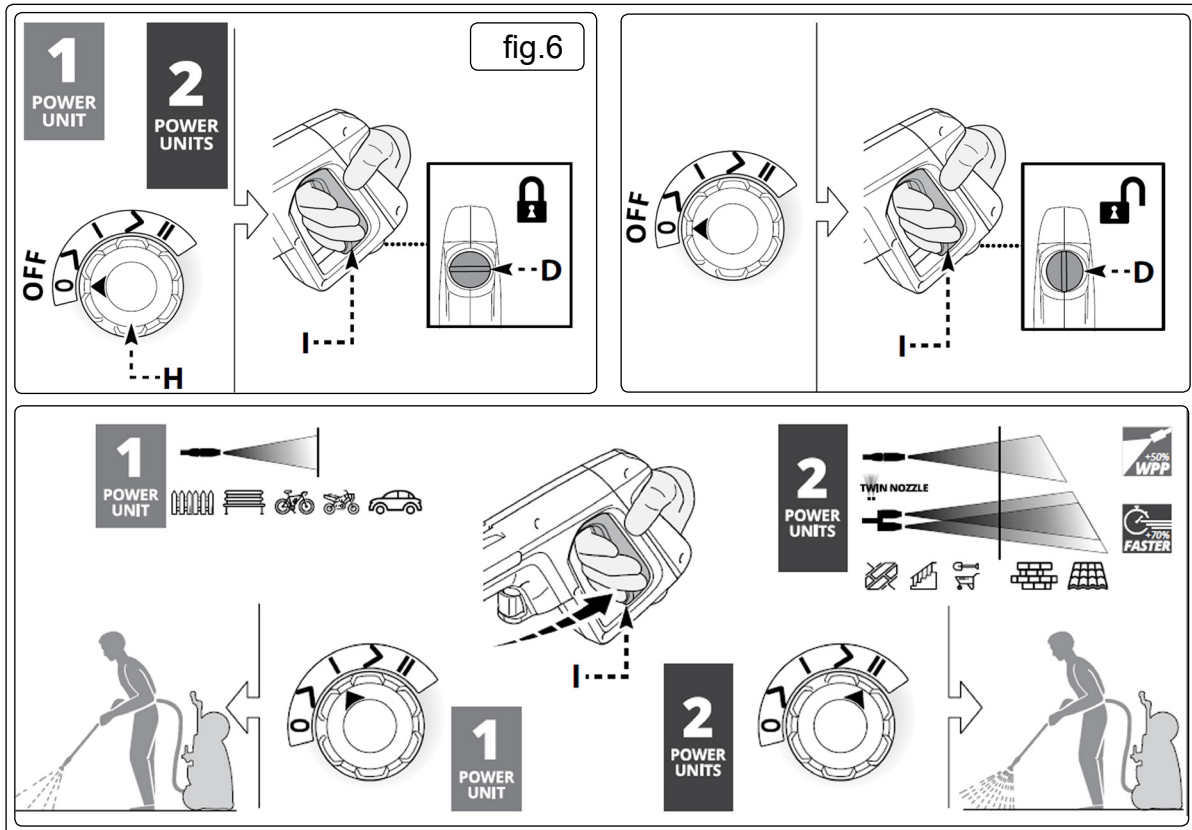
- **WARNING** Check that the electrical supply voltage and frequency (V-Hz) correspond to those specified on the data plate.
- 4.6.1. Use of extension cables Use cables and plugs with "IPX5" protection level. The cross-section of the extension cable should be proportionate to its length; the longer it is, the greater its cross-section should be.
 - 4.6.2. Plug in after assembly.



5. OPERATION

5.1. CONTROLS

- 5.1.1. Starter device (fig.1.H). Set the starter device on (ON/I Power Unit) to operate the motor in "Eco Soft Cleaning" mode. Set the starter device on (ON/II Power Units) to operate the motor in "Fast Cleaning" mode and increase cleaning power by 50%. In this working mode, on large surfaces the "Twin Nozzle" accessory adapter can be fitted to use two nozzles simultaneously and cut working times by 70%. Set the starter device switch on (OFF/0) to stop the appliance.
- 5.1.2. Water jet control lever (fig.6.I).



5.2. START-UP

- 1) Turn on the water supply tap fully.
- 2) Release the safety catch (fig.6.D).
- 3) Depress the gun trigger for a few seconds and start up the appliance by setting the starter device in the working position required (ON/I Power Unit) or (ON/II Power Units).

□ **WARNING** Before starting up the appliance check that it is receiving water correctly; use of the appliance without water will damage it.

- 5.2.1. TSS (Total Stop System), automatic delivery flow cut-off system:
- 5.2.2. When the gun trigger is released the dynamic pressure automatically cuts out the motor;
- 5.2.3. When the gun trigger is depressed the automatic drop in pressure starts the motor and the pressure is restored after a very slight delay.
- 5.2.4. If the TSS is to function correctly, all gun trigger releasing and depressing operations must be at least 4-5 seconds apart. To prevent damage to the appliance, **DO NOT** allow it to operate dry and check that it is properly supplied with water. to prevent damage to the appliance due to an increase in water temperature,
- × **DO NOT** cut off the jet of water for more than 5 minutes with the appliance running.

5.3. STOPPING

- 1) Set the starter device switch on (OFF/0).
- 2) Depress the gun trigger and discharge the residual pressure inside the pipes.
- 3) Engage the safety catch (fig.6.D).

5.4. RESTARTING

- 1) Release the safety catch (fig.6.D).
- 2) Depress the gun trigger and discharge the residual air inside the pipes.
- 3) Set the starter device in the working position required (ON/I Power Unit) or (ON/II Power Units).

5.5. WASHING TYRES (FIG.6)

- 5.5.1. Using the appliance to wash tyres may damage the tyre and can be dangerous.
- 5.5.2. Never point the high pressure jet straight at the tyre.
- 5.5.3. Always use the appliance at the lowest pressure setting when cleaning in the vicinity of wheels and tyres.
- 5.5.4. Never use the "Turbo Lance" for washing any part of the vehicle.
- 5.5.5. For further information refer to section: "Recommended cleaning procedure".

5.6. REFILLING AND USING DETERGENT

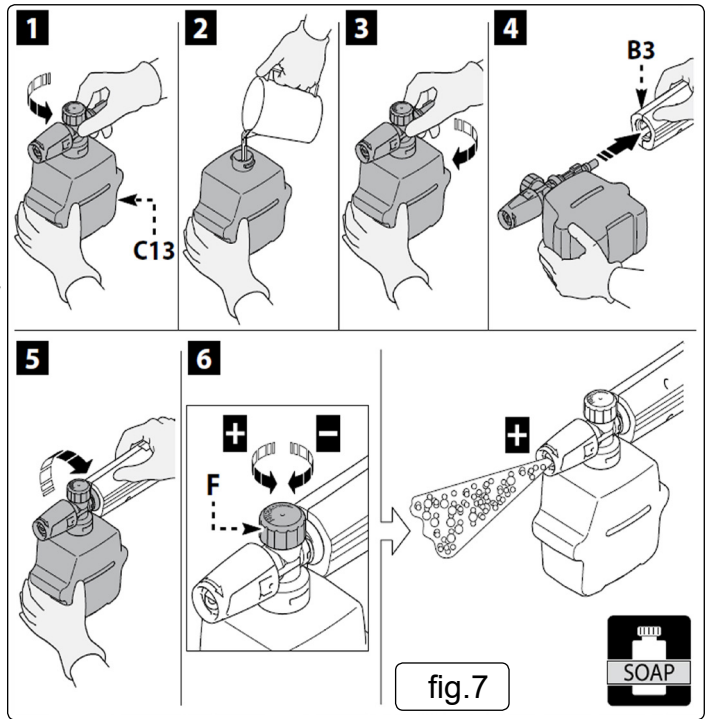
- 5.6.1. Adjusting the spray pattern. Water flow is adjusted by twisting the nozzle (fig.5).
- 5.6.2. Adjusting the detergent to deliver detergent at the correct pressure, set the nozzle (fig.6) (where fitted) on “-” or fit the detergent kit (fig.7.C13) as shown. The quantity of detergent delivered is adjusted using the regulator (fig.7)
- 5.6.3. The detergent must be delivered using the accessories and by the procedures described in point 5.9. Use of a high pressure hose longer than the one originally supplied with the appliance, or the use of an additional hose extension, may reduce or completely halt the suction of detergent. Fill the tank (fig.7) with highly biodegradable detergent.

5.7. SEALEY DETERGENTS:

- TFR Premium Detergent with Wax Concentrated 5ltr...SCS001
- TFR Detergent with Wax Concentrated 5ltr.....SCS003
- Car Shampoo 5ltrSCS005
- Car Shampoo Premium with Wax 5ltr.....SCS006

5.8. RECOMMENDED CLEANING PROCEDURE

- 5.8.1. Dissolve dirt by applying the detergent mixed with water to the surface while still dry. When dealing with vertical surfaces work from the bottom upwards. Leave the detergent to act for 1-2 minute but **DO NOT** allow the surface to dry. Starting from the bottom, use the high pressure jet at a minimum distance of 30 cm. **DO NOT** allow the rinse water to run onto unwashed surfaces. In some cases, scrubbing with brushes is needed to remove dirt. High pressure is not always the best solution for good cleaning results, since it may damage some surfaces. The finest adjustable nozzle jet setting or the rotating nozzle should not be used on delicate or painted parts, or on pressurised components (e.g. tyres, inflation valves, etc.). Effective cleaning depends on both the pressure and volume of the water used, to the same degree.



6. MAINTENANCE

Any maintenance operations not covered by this chapter should be carried out by an Authorised Sales and Service Centre.

Warning Always disconnect the plug from the power socket before carrying out any work on the appliance.

6.1. CLEANING THE NOZZLE (FIG.8)

- 1) Disconnect the lance from the nozzle.
- 2) Remove any dirt deposits from the nozzle hole using the tool (fig.16.C1).

6.2. CLEANING THE FILTER (FIG.9)

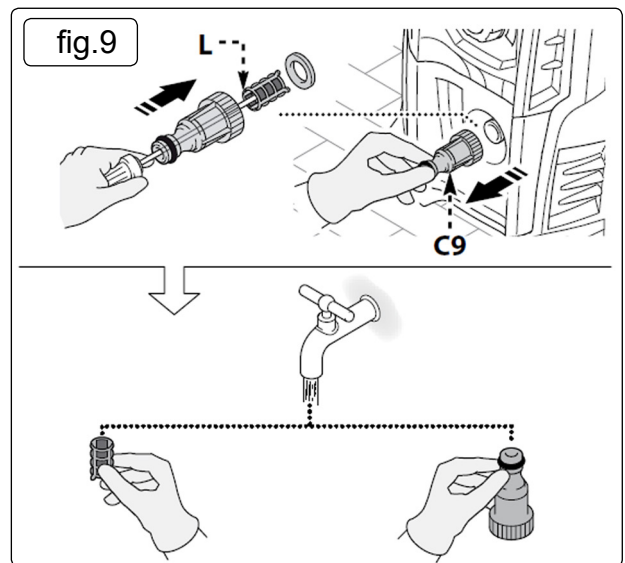
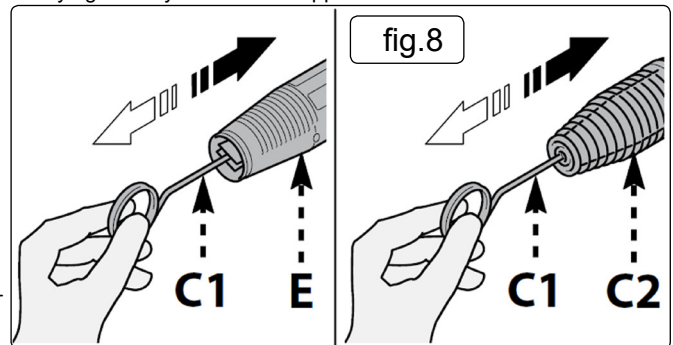
Inspect the inlet filter (fig.9.L) and detergent filter (if fitted) before each use, and clean in accordance with the instructions if necessary.

6.3. STORAGE

- 1) Turn off the water supply tap.
- 2) Discharge the residual pressure from the gun until all the water has come out of the appliance.
- 3) Switch the appliance off (OFF/0).
- 4) Remove the plug from the socket.
- 5) Drain and wash out the detergent tank at the end of the working session. To wash out the tank, use clean water instead of the detergent.
- 6) Engage the gun safety catch (fig.6.D).

6.4. END-OF-SEASON STORAGE

- 6.4.1. Treat the appliance with non-corrosive, non-toxic antifreeze before storing it away for winter. Put the appliance in a dry place, protected from frost.



7. TROUBLESHOOTING

Problem	Possible causes	Remedy
Pump does not reach working pressure	Nozzle worn	Replace nozzle
	Water filter fouled	Clean filter (L) (fig.9)
	Insufficient water supply	Turn on water supply tap fully
	Air being sucked into system	Check tightness of hose fittings
	Air in pump	Switch off the appliance and keep depressing and releasing the gun trigger until the water comes out in a steady flow. Switch the appliance back on again.
	Adjustable nozzle not positioned correctly	Set nozzle (E) on (+) setting (fig.5.C)
	Thermostatic valve tripped	Wait for correct water temperature to be restored
	Water being sucked from an open container from a height of more than 0.5m.	Reduce the suction height.
Pump pressure drops during suddenly use	Water being sucked from an external tank	Connect appliance to the mains water supply
	Inlet water too hot	Reduce temperature
	Nozzle clogged	Clean nozzle (fig.8)
	Inlet filter (L) fouled	Clean filter (L) (fig.9)
Motor "buzzes" but fails to start	Power supply voltage too low	Check that the voltage of the mains power supply line is the same as that on the plate.
	Voltage drop due to use of extension cable	Check characteristics of extension cable
	Appliance not used for a long period of time	Contact your nearest Authorised Service Centre
	Problems with TSS device	Contact your nearest Authorised Service Centre
Motor fails to start	No electrical power	Check that the plug is firmly in the socket and that the mains voltage supply is present (*)
	Problems with TSS device	Contact your nearest Authorised Service Centre
	Appliance not used for a long period of time	Using the tool (M) unjam the motor through the hole at the rear of the appliance (in models with this feature).
Water leakages	Seals worn	Have the seals replaced at your nearest Authorised Service Centre
	Safety valve tripped and discharging	Contact an Authorised Service Centre
Appliance noisy	Water too hot	Reduce temperature (see technical data)
Oil leakages	Seals worn	Contact your nearest Authorised Service Centre
TSS versions only: appliance starts even with gun trigger released	High pressure system or pump circuit not watertight	Contact your nearest Authorised Service Centre
TSS versions only: no water delivery when gun trigger is depressed (with supply hose connected)	Nozzle clogged	Clean nozzle (fig.8)
No detergent sucked in	Adjustable nozzle on high pressure setting	Set nozzle (E) on "■" setting (fig.5.C)
	Detergent too dense	Dilute with water
	High pressure hose extension being used	Fit original hose
	Deposits or restriction in detergent circuit	Flush with clean water and eliminate any restrictions. If the problem persists, contact an Authorised Service Centre
Water escapes from thermostat-valve	Water temperature inside pump head has exceeded max. rated value stated on nameplate	With appliance in operation, DO NOT stop the water jet for more than 5 minutes at a time

(*) If the motor stops and does not restart during operation, wait 2-3 minutes before repeating the start-up procedure (Overload cut out has been tripped). If the problem recurs more than once, contact your nearest Authorised Service Centre.



ENVIRONMENT PROTECTION

Recycle unwanted materials instead of disposing of them as waste. All tools, accessories and packaging should be sorted, taken to a recycling centre and disposed of in a manner which is compatible with the environment. When the product becomes completely unserviceable and requires disposal, drain any fluids (if applicable) into approved containers and dispose of the product and fluids according to local regulations.



WEEE REGULATIONS

Dispose of this product at the end of its working life in compliance with the EU Directive on Waste Electrical and Electronic Equipment (WEEE). When the product is no longer required, it must be disposed of in an environmentally protective way. Contact your local solid waste authority for recycling information.

Note: It is our policy to continually improve products and as such we reserve the right to alter data, specifications and component parts without prior notice.

Important: No Liability is accepted for incorrect use of this product.

Warranty: Guarantee is 12 months from purchase date, proof of which is required for any claim.

Sealey Group, Kempson Way, Suffolk Business Park, Bury St Edmunds, Suffolk. IP32 7AR



01284 757500



01284 703534



sales@sealey.co.uk



www.sealey.co.uk