

Issue: 1  
 Issue Date: 120913

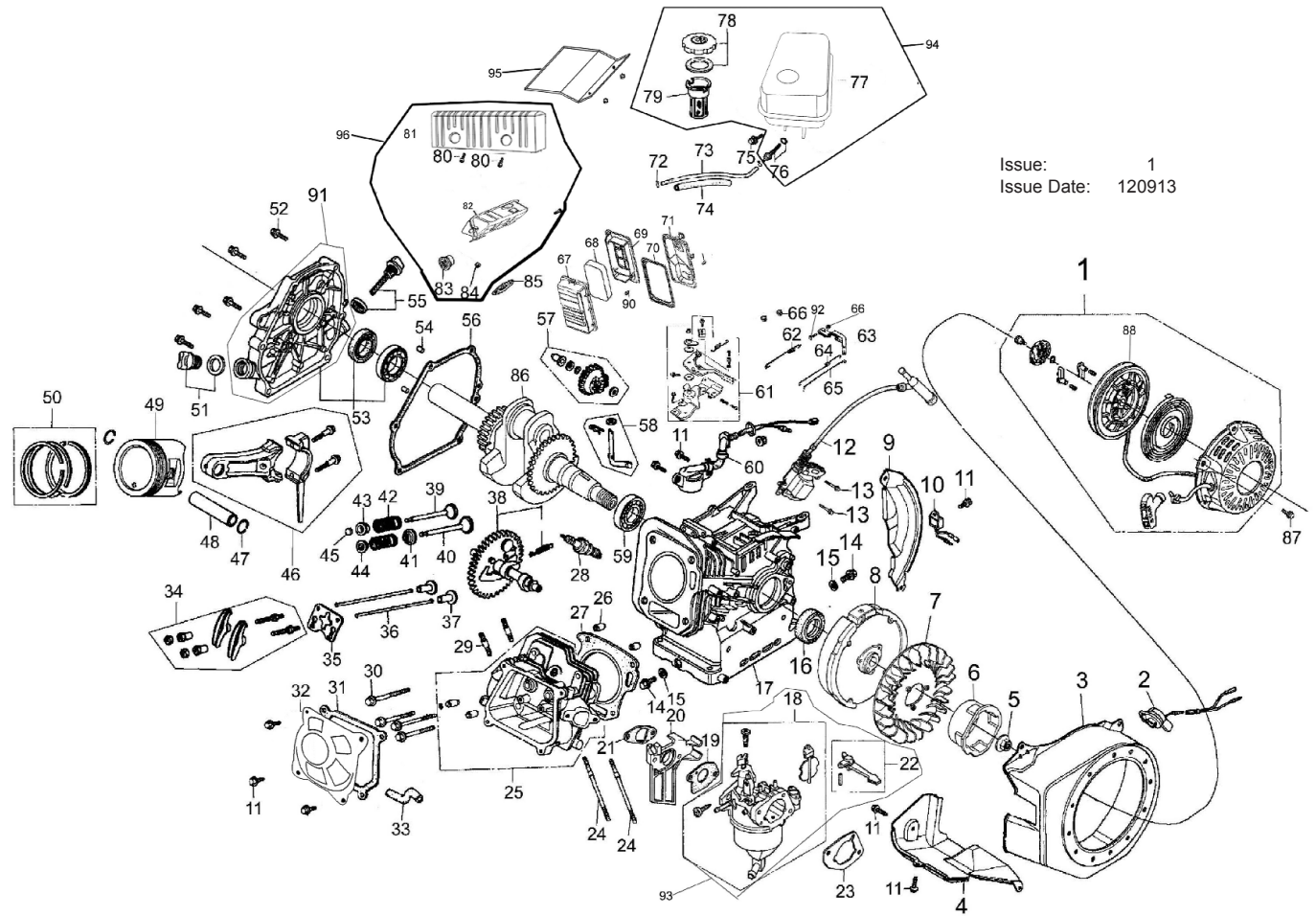
ITEM	PART NO	DESCRIPTION	ITEM	PART NO	DESCRIPTION
1	PWM2500.F01	FRAME	16	PWM2500.F16	WHEEL AXLE
2	PWM2500.F02	HIGH PRESSURE HOSE	17	PWM2500.F17	R-PIN
3	PWM2500.F03	GUN HOOK	18	PWM2500.F18	CLIP
4	PWM2500.F04	HIGH PRESSURE GUN	19	PWM2500.F19	FRAME PLUG
5	PWM2500.F05	LOCK NUT (M5)	20	PWM2500.F20	RUBBER FOOT
6	PWM2500.F06	WASHER 5mm	21	PWM2500.F21	FLANGE BOLT (M8x40)
7	PWM2500.F07	CROSS BOLT (M5x35)	22	PWM2500.F22	LOCK NUT (M8)
8	PWM2500.F08	HOSE HOOK	23	PWM2500.F23	HEX BOLT (M8x40)
9	PWM2500.F09	HEX BOLT (M8x25)	24	PWM2500.F24	PETROL ENGINE 6.5hp
10	PWM2500.F10	WASHER 8mm	25	PWM2500.F25	FRAME FIXING BOLT (M8x30)
11	PWM2500.F11	SPRING WASHER 8mm	26	PWM2500.F26	STORAGE CASE
12	PWM2500.F12	PUMP ASSEMBLY	27	PWM2500.F27	BOLT (M8x15)
13	PWM2500.F13	WHEEL RING 16mm	28	PWM2500.F28	CROSS HEAD BOLT (M5x12)
14	PWM2500.F14	WASHER	29	PWM2500.F29	ENGINE MOUNT RUBBER GASKET
15	PWM2500.F15	WHEEL 10"			

**NOTE:** It is our policy to continually improve products and as such we reserve the right to alter data, specifications and component parts without prior notice.

**IMPORTANT:** No liability is accepted for incorrect use of product.

**WARRANTY:** Guarantee is 12 months from purchase date, proof of which will be required for any claim.

**INFORMATION:** For a copy of our latest catalogue and promotions call us on 01284 757525 and leave your full name and address, including postcode.



Issue: 1  
 Issue Date: 120913

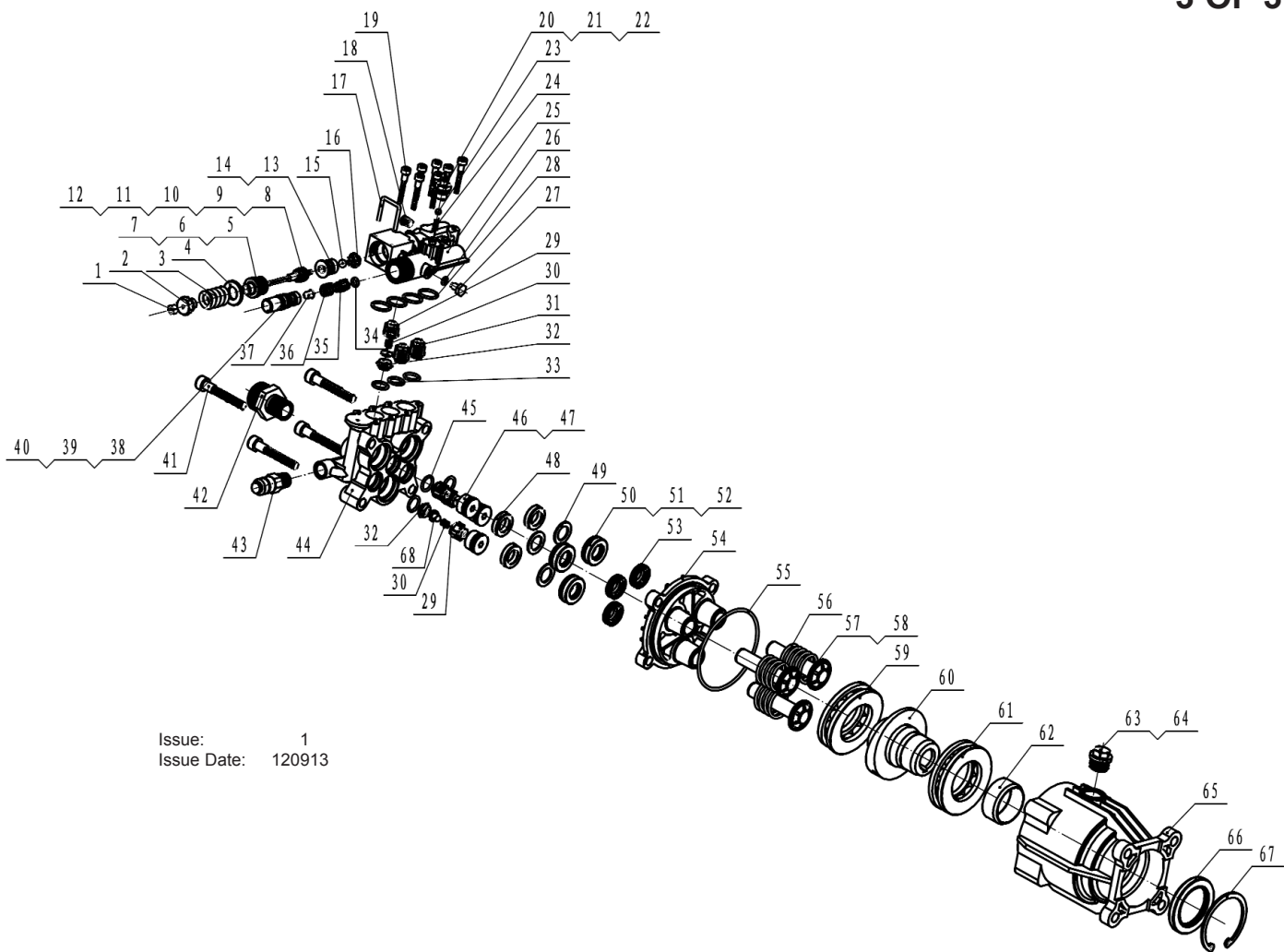
ITEM	PART NO	DESCRIPTION	ITEM	PART NO	DESCRIPTION	ITEM	PART NO	DESCRIPTION
1	PWM2500SP.E01	RECOIL STARTER COMPLETE	33	PWM2500SP.E33	BREATHER	65	PWM2500SP.E65	GOVERNOR ROD
2	PWM2500SP.E02	ENGINE SWITCH	34	PWM2500SP.E34	VALVE ROCKER ARM ASS'Y	66	PWM2500SP.E66	NUT (M6)
3	PWM2500SP.E03	FAN COVER COMPLETE	35	PWM2500SP.E35	PUSHROD GUIDE PLATE	67	PWM2500SP.E67	AOR CLEANER CASE COMP.
4	PWM2500SP.E04	SHROUD COMPLETE	36	PWM2500SP.E36	PUSHROD	68	PWM2500SP.E68	AIR CLEANER SEPARATOR
5	PWM2500SP.E05	FLANGE NUT M14	37	PWM2500SP.E37	VALVE LIFTER	69	PWM2500SP.E69	AIR CLEANER ELEMENT
6	PWM2500SP.E06	STARTER PULLEY	38	PWM2500SP.E38	CAMSHAFT ASS'Y	70	PWM2500SP.E70	AIR CLEANER COVER
7	PWM2500SP.E07	COOLING FAN	39	PWM2500SP.E39	VALVE, EXHAUST	71	PWM2500SP.E71	AIR CLEANER SET
8	PWM2500SP.E08	FLYWHEEL COMPLETE	40	PWM2500SP.E40	VALVE, INTAKE	72	PWM2500SP.E72	OIL TUBE CLIP
9	PWM2500SP.E09	SIDE PLATE	41	PWM2500SP.E41	VALVE SPRING SEAT	73	PWM2500SP.E73	OIL TUBE (4x8x150)
10	PWM2500SP.E10	DIODE	42	PWM2500SP.E42	VALVE SPRING	75	PWM2500SP.E75	SCREW (M6x28)
11	PWM2500SP.E11	FLANGE BOLT (M6x12)	43	PWM2500SP.E43	VALVE SPRING RETAINER, EX	76	PWM2500SP.E76	FUEL TANK JOINT
12	PWM2500SP.E12	IGNITION COIL ASS'Y	44	PWM2500SP.E44	VALVE SPRING RETAINER, IN	77	PWM2500SP.E77	FUEL TANK
13	PWM2500SP.E13	FLANGE BOLT (M6x25)	45	PWM2500SP.E45	VALVE ROTATOR	78	PWM2500SP.E78	FUEL TANK CAP
14	PWM2500SP.E14	DRAIN BOLT	46	PWM2500SP.E46	PISTON PIN	79	PWM2500SP.E79	FUEL FILTER
15	PWM2500SP.E15	DRAIN WASHER	47	PWM2500SP.E47	PISTON PIN CLIP	80	PWM2500SP.E80	TAPPING SCREW (M5x8)
16	PWM2500SP.E16	OIL SEAL (25x41.25x6)	48	PWM2500SP.E48	PISTON PIN	81	PWM2500SP.E81	MUFFLER PROTECTOR
17	PWM2500SP.E17	CRANKCASE ASS'Y	49	PWM2500SP.E49	PISTON	82	PWM2500SP.E82	MUFFLER
18	PWM2500SP.E18	CARBURETOR ASS'Y	50	PWM2500SP.E50	PISTON RING SET	83	PWM2500SP.E83	SPARK PLUG
19	PWM2500SP.E19	CARBURETOR PACKING	51	PWM2500SP.E51	OIL CAP	84	PWM2500SP.E84	NUT (M8)
20	PWM2500SP.E20	CARBURETOR INSULATOR	52	PWM2500SP.E52	FLANGE BOLT (M8x32)	85	PWM2500SP.E85	FUEL PIPE, EX
21	PWM2500SP.E21	INSULATOR PACKING	53	PWM2500SP.E53	OIL SEAL (25x41.25x6)	86	PWM2500SP.E86	CRANKSHAFT COMPLETE
22	PWM2500SP.E22	CHOKE LEVEL COMPLETE	54	PWM2500SP.E54	DOWEL PIN (8x14)	87	PWM2500SP.E87	SCREW (M6x12)
23	PWM2500SP.E23	AIR CLEANER PACKING	55	PWM2500SP.E55	OIL FILLER CAP ASS'Y	88	PWM2500SP.E88	RATCHET GUIDE PLATE
24	PWM2500SP.E24	BOLT HEAD (M6x112)	56	PWM2500SP.E56	CASE COVER PACKING	89	PWM2500SP.E89	SCREW (M6x12)
25	PWM2500SP.E25	CYLINDER HEAD COMPLETE	57	PWM2500SP.E57	GOVERNOR ASS'Y	90	PWM2500SP.E90	SCREW (M6x12)
26	PWM2500SP.E26	DOWEL PIN (10x16)	58	PWM2500SP.E58	GOVERNOR SHAFT ASS'Y	91	PWM2500SP.E91	CRANKCASE COVER ASS'Y
27	PWM2500SP.E27	CYLINDER HEAD GASKET	59	PWM2500SP.E59	RADIAL BEARING (6025)	92	PWM2500SP.E92	SCREW (M6x21)
28	PWM2500SP.E28	SPARK PLUG	60	PWM2500SP.E60	OIL LEVEL SWITCH ASS'Y	93	PWM2500SP.E93	CARBURETOR ASS'Y
29	PWM2500SP.E29	BOLT HEAD (M8x35)	61	PWM2500SP.E61	CONTROL ASS'Y	94	PWM2500SP.E94	FUEL TANK ASS'Y
30	PWM2500SP.E30	FLANGE BOLT (M8x55)	62	PWM2500SP.E62	GOVERNOR SPRING	95	PWM2500SP.E95	FUEL TANK SUPPORT
31	PWM2500SP.E31	CYLINDER HEAD COVER GASKET	63	PWM2500SP.E63	GOVERNOR ARM	96	PWM2500SP.E96	MUFFLER ASS'Y
32	PWM2500SP.E32	CYLINDER HEAD COVER COMP.	64	PWM2500SP.E64	THROTTLE RETURN SPRING			

**NOTE:** It is our policy to continually improve products and as such we reserve the right to alter data, specifications and component parts without prior notice.

**IMPORTANT:** No liability is accepted for incorrect use of product.

**WARRANTY:** Guarantee is 12 months from purchase date, proof of which will be required for any claim.

**INFORMATION:** For a copy of our latest catalogue and promotions call us on 01284 757525 and leave your full name and address, including postcode.



Issue: 1  
 Issue Date: 120913

ITEM	PART NO	DESCRIPTION	ITEM	PART NO	DESCRIPTION	ITEM	PART NO	DESCRIPTION
1	PWM2500.P01	NUT (M5)	24	PWM2500.P24	INJECTOR SPRING	47	PWM2500.P47	CHECK VALVE NUT
2	PWM2500.P02	ADJUSTING PRESSURE NUT	25	PWM2500.P25	DRAIN HOSE	48	PWM2500.P48	Y SEAL
3	PWM2500.P03	ADJUSTING PRESSURE SPRING	26	PWM2500.P26	O-RING (4.5x1.8)	49	PWM2500.P49	SEAL RING
4	PWM2500.P04	ADJUSTING PRESSURE WASHER	27	PWM2500.P27	LOCATING BOLT	50	PWM2500.P50	WATER SEAL COVER
5	PWM2500.P05	VALVE COVER	28	PWM2500.P28	O-RING (15.4x1.9)	51	PWM2500.P51	O-RING (14x2.6)
6	PWM2500.P06	O-RING (14x1.8)	29	PWM2500.P29	CHECK VALVE	52	PWM2500.P52	O-RING (23x2.8)
7	PWM2500.P07	O-RING (12.4x1.8)	30	PWM2500.P30	CHECK VALVE SPRING	53	PWM2500.P53	PISTON OIL SEAL
8	PWM2500.P08	VALVE ROD ASS'Y	31	PWM2500.P31	CHECK VALVE WASHER	54	PWM2500.P54	PUMP SEAT
9	PWM2500.P09	SPLIT RING (A)	32	PWM2500.P32	CHECK VALVE SEAT	55	PWM2500.P55	O-RING (75x2.5)
10	PWM2500.P10	O-RING (6.07x1.8)	33	PWM2500.P33	O-RING (11.2x1.8)	56	PWM2500.P56	PISTON SPRING
11	PWM2500.P11	SPLIT RING (B)	34	PWM2500.P34	O-RING (5x2)	57	PWM2500.P57	PISTON
12	PWM2500.P12	O-RING (8.6x1.8)	35	PWM2500.P35	NON-RETURN VALVE ROD	58	PWM2500.P58	PISTON SPRING SEAT
13	PWM2500.P13	UPPER COVER	36	PWM2500.P36	NON-RETURN VALVE SPRING	59	PWM2500.P59	THRUST BEARING
14	PWM2500.P14	O-RING (9.5x1.8)	37	PWM2500.P37	COPPER COVER	60	PWM2500.P60	WOBBLE PLATE
15	PWM2500.P15	STEEL BALL	38	PWM2500.P38	VENTURI TUBE	61	PWM2500.P61	THRUST BEARING (UPPER)
16	PWM2500.P16	VALVE SEAT	39	PWM2500.P39	O-RING (9.3x1.8)	62	PWM2500.P62	CAM COVER
17	PWM2500.P17	U-PIN	40	PWM2500.P40	O-RING (8x2)	63	PWM2500.P63	PLUG
18	PWM2500.P18	SCREW	41	PWM2500.P41	HEX SCREW	64	PWM2500.P64	O-RING (15.4x1.8)
19	PWM2500.P19	HEX BOLT	42	PWM2500.P42	INLET WATER CONNECTOR	65	PWM2500.P65	BACK HOUSING
20	PWM2500.P20	VALVE BODY	43	PWM2500.P43	THERMAL RELIEF CAP	66	PWM2500.P66	OIL SEAL
21	PWM2500.P21	O-RING (4x1.5)	44	PWM2500.P44	PUMP COVER	67	PWM2500.P67	RETAINING RING
22	PWM2500.P22	O-RING (8x1.8)	45	PWM2500.P45	O-RING (12x2)	68	PWM2500.P68	CHECK VALVE ROD
23	PWM2500.P23	STEEL BALL 5mm	46	PWM2500.P46	O-RING (15x2)			

**NOTE:** It is our policy to continually improve products and as such we reserve the right to alter data, specifications and component parts without prior notice.

**IMPORTANT:** No liability is accepted for incorrect use of product.

**WARRANTY:** Guarantee is 12 months from purchase date, proof of which will be required for any claim.

**INFORMATION:** For a copy of our latest catalogue and promotions call us on 01284 757525 and leave your full name and address, including postcode.