



INSTRUCTIONS FOR
VEHICLE STORAGE SHELTER (2.7 X 5.5 X 2MTRS)
 MODEL NO: **CCS01**

Thank you for purchasing a Sealey product. Manufactured to a high standard, this product will, if used according to these instructions, and properly maintained, give you years of trouble free performance.

IMPORTANT: PLEASE READ THESE INSTRUCTIONS CAREFULLY. NOTE THE SAFE OPERATIONAL REQUIREMENTS, WARNINGS & CAUTIONS. USE THE PRODUCT CORRECTLY AND WITH CARE FOR THE PURPOSE FOR WHICH IT IS INTENDED. FAILURE TO DO SO MAY CAUSE DAMAGE AND/OR PERSONAL INJURY AND WILL INVALIDATE THE WARRANTY. KEEP THESE INSTRUCTIONS SAFE FOR FUTURE USE.



Refer to instruction manual



Wear protective gloves



Wear eye protection

1. SAFETY

NOTE: This is a temporary structure and is not recommended as a permanent structure.

- ✓ Choose your shelter's location carefully. Check for overhead utility lines, branches, etc. **DO NOT** install near roofs or other structures that may shed snow, ice or excessive run-off onto your shelter. Keep away from electrical wires!
- ✓ Have an overview of all parts before attempting installation. Make sure all components are available.
- ✗ **DO NOT** use this product in environments for which it is not intended (i.e. extreme cold, high winds, extreme heat, heavy rainfall, etc).
- ✓ Always wear safety glasses when assembling this product. Wear gloves when working with tubing to prevent cuts or abrasions.
- ☐ **WARNING!** Anchors must be used with all shelters. Covers should **NOT** be installed until it has been properly anchored to the ground. **NOTE:** Proper anchoring and keeping cover tight and free of snow and debris, is the responsibility of the consumer. Damages caused by improper anchoring are not covered under warranty.
- ☐ **WARNING!** Keep all flame and heat sources away from the shelter fabric. The fabric will burn if left in continuous contact with a flame source.
- ✗ **DO NOT** use open flames or cooking or heating devices inside or in close proximity to the product, including all types of stoves, gas heaters, gas lanterns, citronella torches, mosquito coils, etc.
- ☐ **WARNING!** In order to reduce risk of burning and avoid damage, **DO NOT:**
 - cook, smoke, refuel or use any open flame devices in or around the shelter.
 - store flammable liquids (gasoline, kerosene, propane, etc.) in the shelter.
 - operate gas powered equipment in or around the shelter.
- ☐ **WARNING!** Keep open flames a safe distance away from the shelter.
- ✗ **DO NOT** use hard-edged tools or instruments, such as rakes or shovels, to remove snow. These can cause punctures to the cover.
- ▲ **NEVER** start the engine of any vehicle or machine inside a closed shelter. Ensure that there is adequate ventilation for starting engines and for any work with paints, cleaners, etc.
- ✗ **DO NOT** use bleach, alkaline or harsh detergents for cleaning. Doing so will damage the polycarbonate material. Soap and warm water are recommended.
- ✓ This temporary shelter is intended to offer protection from damages caused by the sun, light rain, light snow, tree sap, bird and animal excrements. **DO NOT** use it to shield goods from high winds, heavy snow or ice storms. Only use it for its intended purpose.

2. INTRODUCTION

Made from durable anti-scratch material to protect vehicle's paintwork. Rigid tubular frame with hinged opening for easy access. Hook and loop vents allow increased ventilation while still keeping vehicle protected from elements. Includes anchor points for fixing shelter to driveway/ground (fixings not included). Padlock hasp and additional ground anchor point for increased security when canopy is closed.

3. SPECIFICATION

Model No:CCS01
 Dimensions (W x D x H).....2.7 x 5.5 x 2 mtrs

4. ASSEMBLY

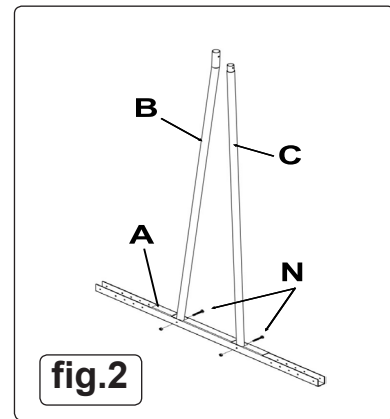
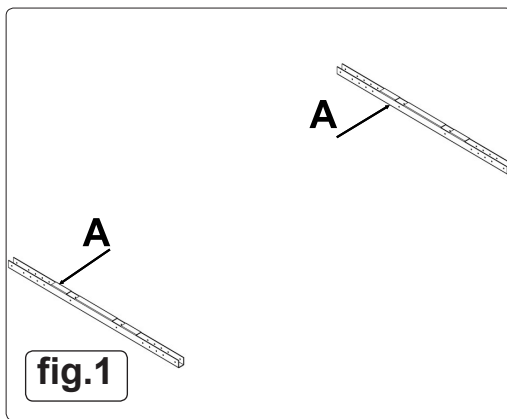
- 4.1. **ASSEMBLY PREPARATION**
- 4.1.1. Place all parts from the packaging box in a cleared area and arrange them on the ground in front of you.
 - 4.1.2. Remove all packaging materials and place them back in the box. **DO NOT** dispose of the packaging materials until assembly is complete.
 - 4.1.3. Check for completeness of components and transport damages.
 - ☐ **WARNING! DO NOT** place the product under trees from which hard fruit such as apples, walnuts or heavy pine cones, etc., may fall.
 - 4.1.4. Keep children away during assembly. This product contains small parts which can be swallowed by children.
 - ✗ **DO NOT** attempt to assemble the product if any parts are missing.
 - 4.1.5. At least 2 people are needed to complete the assembly as some of the steps require awkward lifting and fitting.
 - ☐ **WARNING! DO NOT** leave the shelter unattended during assembly. Otherwise, personal injury or damage to the shelter may occur.

4.2. CONTENTS and ASSEMBLY

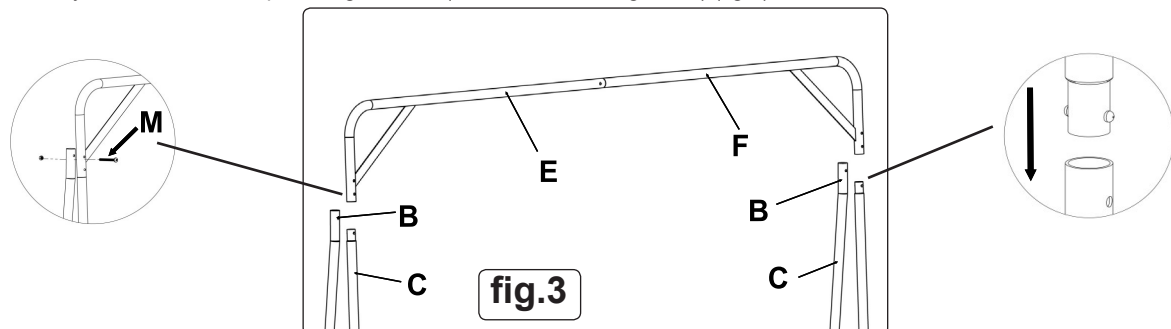
Item A		X2
Item B		X2
Item C		X2
Item D		X20
Item E L/Hand		X1
Item F R/Hand		X1
Item G L/Hand		X10
Item H R/Hand		X10

Item I		X4
Item J		X1
Item K		X1
Item L		X1
Item M		M6 x 60 - X2
Item N		M6 x 40 - X24

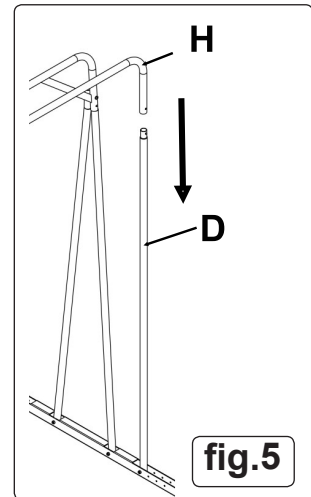
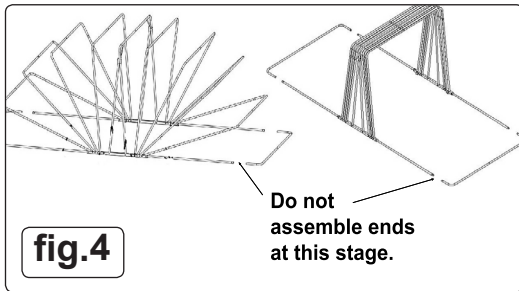
4.2.1. Arrange items A such that they are approximately 2.7 mtrs apart (fig.1). Arrange and fix items B and C to each item A using two item N nut and bolt arrangements (fig.2). Note that the items are handed and should be assembled accordingly. Note that the two items C are very similar to items D except they are slightly longer. Take care to select the correct items C at this stage.



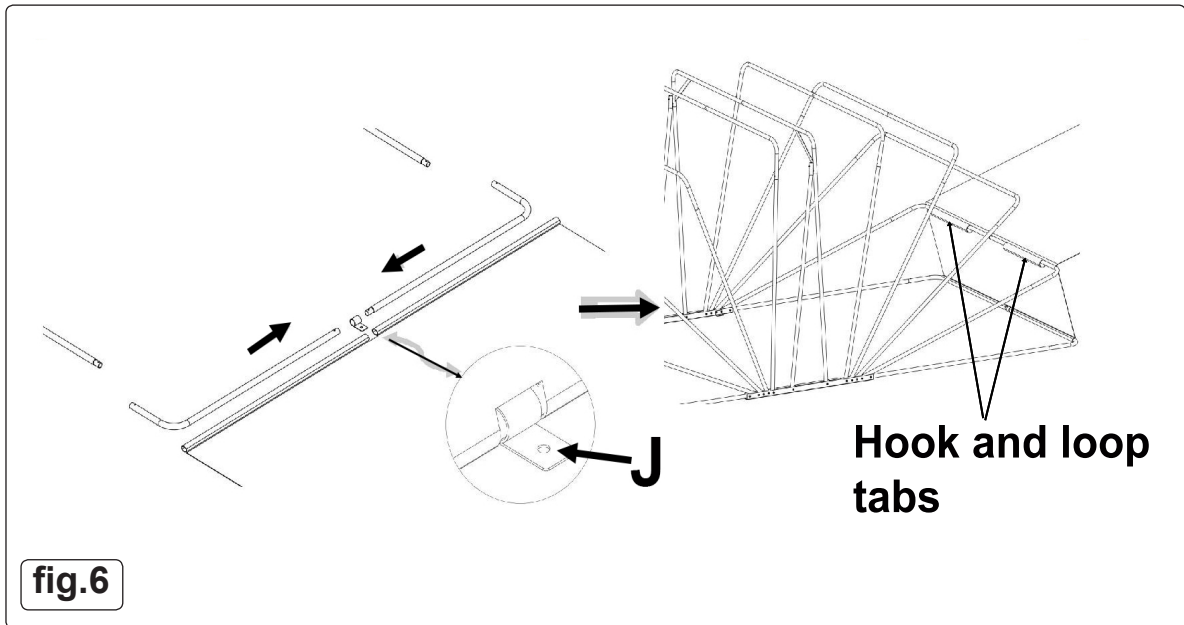
4.2.2. Securely assemble centre spar using items M (M6 x 60 bolt arrangement) (fig.3)



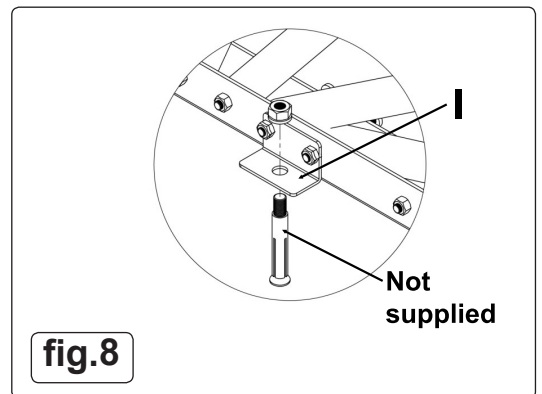
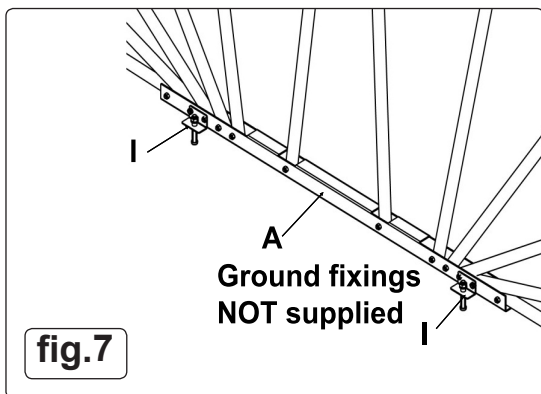
4.2.3. Assemble cross member spars (items D, H and G) and fix to base frame (fig.4, fig.5). **DO NOT** assemble end spars at this stage as the cover will need to be threaded over the frame.



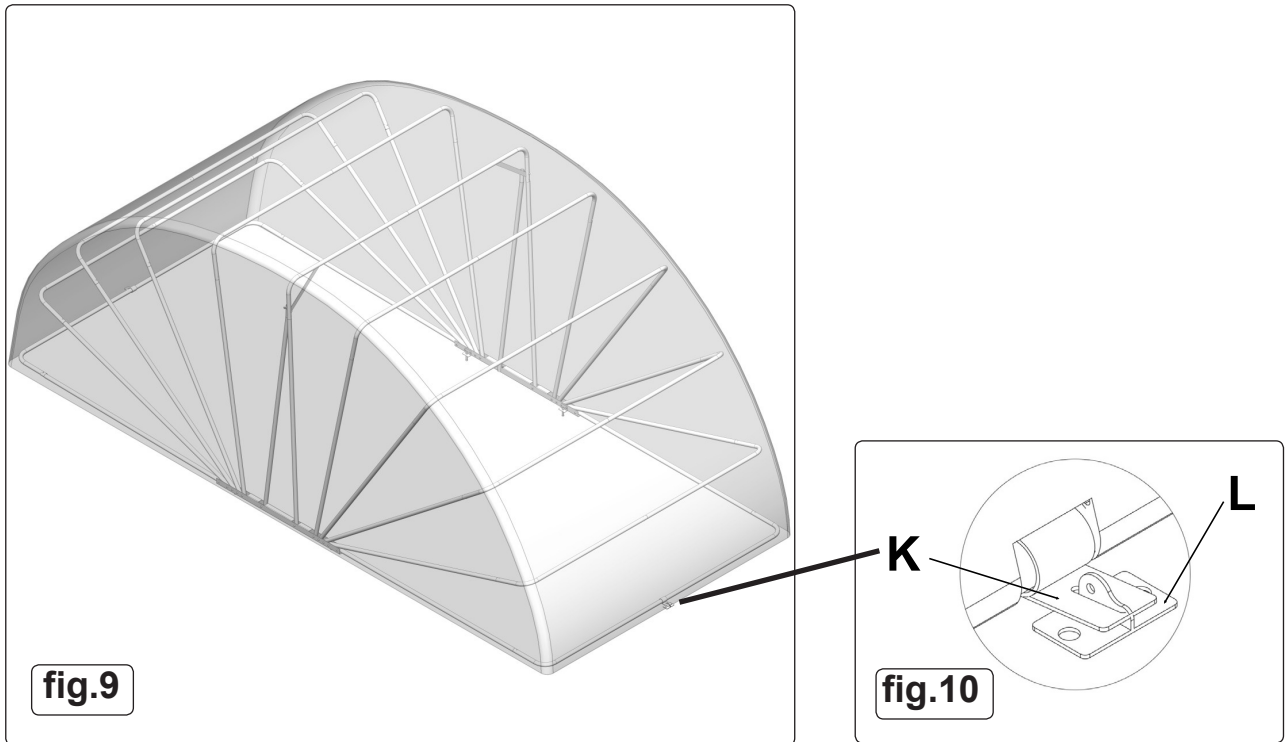
4.2.4. Ensuring that the correct side of the cover is facing outward, thread the end members into the cover sleeve and also engaging the ground fixing tab (item J) (fig.6.). Draw the cover over the remaining spars and fix in place using the hook and loop tabs built into it.



4.2.5. The shelter is provided with four anchor point plates (ground fixings not supplied). These are fitted to the main frame bases (items A) as shown in fig.7 and fig.8.



4.2.6. Supplied with the shelter is a central padlock hasp and an additional ground fixing point (fig.9, fig.10). Ground fixings are not supplied.



Parts support is available for this product. Please log on to www.sealey.co.uk, email sales@sealey.co.uk or telephone 01284 757500



ENVIRONMENT PROTECTION

Recycle unwanted materials instead of disposing of them as waste. All tools, accessories and packaging should be sorted, taken to a recycling centre and disposed of in a manner which is compatible with the environment. When the product becomes completely unserviceable and requires disposal, drain any fluids (if applicable) into approved containers and dispose of the product and fluids according to local regulations.

Note: It is our policy to continually improve products and as such we reserve the right to alter data, specifications and component parts without prior notice.

Important: No Liability is accepted for incorrect use of this product.

Warranty: Guarantee is 12 months from purchase date, proof of which is required for any claim.

Sealey Group, Kempson Way, Suffolk Business Park, Bury St Edmunds, Suffolk. IP32 7AR



01284 757500



01284 703534



sales@sealey.co.uk



www.sealey.co.uk