

# SEALEY

## INSTRUCTIONS FOR: TROLLEY JACK 3TONNE LONG REACH HIGH LIFT COMMERCIAL

PART NO: **3000HLC**

Thank you for purchasing a Sealey product. Manufactured to a high standard, this product will, if used according to these instructions, and properly maintained, give you years of trouble free performance.

**IMPORTANT:** PLEASE READ THESE INSTRUCTIONS CAREFULLY. NOTE THE SAFE OPERATIONAL REQUIREMENTS, WARNINGS & CAUTIONS. USE THE PRODUCT CORRECTLY AND WITH CARE FOR THE PURPOSE FOR WHICH IT IS INTENDED. FAILURE TO DO SO MAY CAUSE DAMAGE AND/OR PERSONAL INJURY AND WILL INVALIDATE THE WARRANTY. KEEP THESE INSTRUCTIONS SAFE FOR FUTURE USE.



Refer to  
instruction  
manual



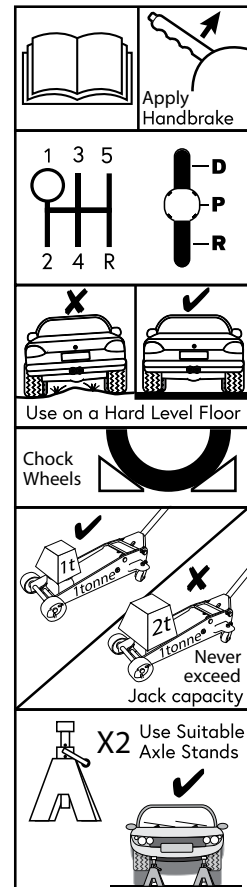
Wear protective  
footwear

### 1. SAFETY

- ✓ Ensure the jack is in sound condition and good working order. Take action for immediate repair or replacement of damaged parts. Use genuine parts only. The use of unapproved parts may be dangerous and will invalidate the warranty.
- ✓ Locate the jack in a suitable, well lit working area.
- ✓ Keep working area clean and tidy and free from unrelated materials.
- ✓ Use jack on level and solid ground, preferably concrete. Avoid tarmac as jack may sink in.
- ✓ Place chocks under wheels of vehicle (but ensure wheels of jack can move freely).
- ✓ Ensure the vehicle's handbrake is engaged, the engine is switched off and transmission is in gear (or "PARK" if automatic).
- ✓ Ensure minimum distance of 0.5m between vehicle and static objects such as doors, walls, etc., to allow for vehicle tilting.
- ✓ Ensure there are no passengers in the vehicle.
- ✓ Ensure all non-essential persons keep a safe distance whilst the jack is in use.
- ✓ Only place jack under vehicle manufacturer's recommended lifting points (*see vehicle handbook*).
- ✓ Check the lifting point is stable and centred on the jack saddle.
- ✓ Ensure the jack wheels are free to move and that there are no obstructions.
- ✓ Use correctly rated axle stands under the vehicle before proceeding with any task.
- ✓ Ensure there are no persons or obstructions beneath the vehicle before lowering.
- ✓ Use a qualified person to maintain or repair the jack hydraulic system.
- ✓ When not in use, store jack, fully lowered, in a safe, dry, childproof area.

**IMPORTANT!** During the jacking operation, ensure that the vehicle-to-jack saddle contact point are always visible.

- ▲ **DANGER:** Use the jack for lifting only, **NOT** for supporting the lifted load.
- \* **DO NOT** operate the jack if damaged.
- \* **DO NOT** allow untrained persons to operate the jack.
- \* **DO NOT** exceed the rated capacity (3 Tonne) of the jack.
- \* **DO NOT** allow the vehicle to move while supported by the jack, or use the jack to move the vehicle.
- \* **DO NOT** jack vehicle if there is a risk of spillage of fuel, battery acid, or other dangerous substances.
- \* **DO NOT** work under the vehicle until suitably rated axle stands have been correctly positioned.
- \* **DO NOT** use the jack for purposes other than which it is intended.
- \* **DO NOT** top up hydraulic system with brake fluid. Use hydraulic jack oil only.
- \* **DO NOT** adjust the safety overload valve.



### 2. INTRODUCTION

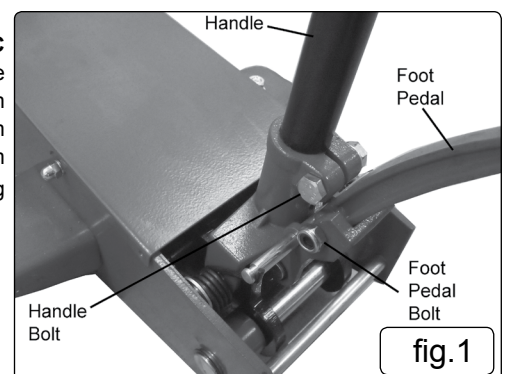
High lift jack ideal when lifting a light commercial vehicle. Fitted with quick lift foot pedal. Heavy-duty long steel chassis provides easy access to deep set jacking points. Fitted with one-piece hydraulic unit with built-in safety overload protection.

### 3. SPECIFICATION

|                         |             |
|-------------------------|-------------|
| Model No:               | 3000HLC     |
| Capacity:               | 3tonne      |
| Min/Max Saddle Height:  | 140mm/700mm |
| Maximum Chassis Height: | 185mm       |
| Length:                 | 1090mm      |
| Weight:                 | 56kg        |

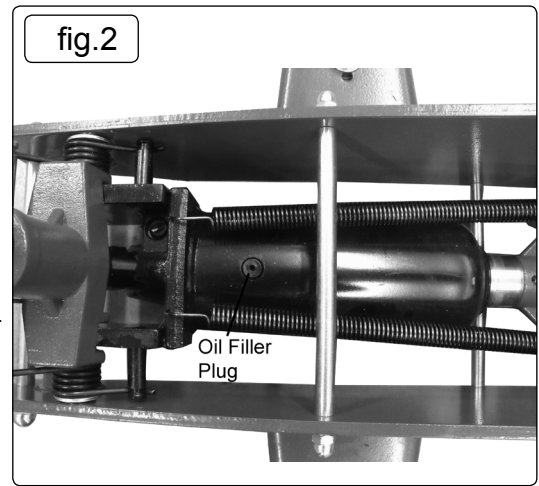
### 4. ASSEMBLY

- 4.1. The pedal link is already assembled to the body of the jack.
- 4.2. To attach the foot pedal pass the bolt as shown in fig.1. through the pedal link and foot pedal and tighten the nut
- 4.3. Loosen the handle bolt and insert the handle as far as possible, tighten the bolt. fig.1.



## 5. OPERATION

- 5.1. Air sometimes gets into the hydraulic system, causing poor lifting performance. Before initial operation, to purge any air from the system open the release valve at the top of the jack handle by turning it anti-clockwise. Place a weight on the saddle and pump the jack handle rapidly several times, then close the release valve.
- 5.2. **Raising the Jack**
- 5.2.1. Turn the handle knob clockwise until resistance is felt to close the release valve. **DO NOT** over tighten
- 5.2.2. Place jack directly under object to be lifted. Make sure weight is positioned centrally. Check positioning under slight load to confirm jack or load will not slip.
- 5.2.3. Raise jack by pumping handle until desired height is reached.
- 5.2.4. After lifting to required height support on axle stands.
- 5.3. **Lowering Jack**
- 5.3.1. Slowly turn handle knob anti clockwise. Speed is controlled by amount release valve is turned.
- × **DO NOT** lower the jack too fast so as to lose control.



## 6. MAINTENANCE

- 6.1. **Checking Hydraulic Oil Level**
- 6.1.1. Open release valve (turn handle knob anti clockwise) and push ram to its lowest position.
- 6.1.2. Remove oil filler plug. see fig.2.
- 6.1.3. Fill with clean hydraulic jack oil. **DO NOT** use hydraulic brake fluid.
- 6.1.4. Re-fit oil filler plug.
- 6.2. **Lubrication**
- 6.2.1. Add lubricating oil to all moving and pivoting with light oil once or twice a month, depending on frequency of use.

| PROBLEM  | POSSIBLE CAUSE  | REMEDY  |
|--|---|---|
| Jack will not lift the load                      | <ol style="list-style-type: none"> <li>1) Overloaded</li> <li>2) Oil level low</li> <li>3) Release valve not correctly closed</li> <li>4) Air in system</li> <li>5) Piston rod not functioning</li> <li>6) Packing worn or defective</li> </ol>   | <ol style="list-style-type: none"> <li>1) Be sure to use jack with adequate capacity</li> <li>2) Top up oil level</li> <li>3) Check and close release valve</li> <li>4) Open release valve and pump the handle a few times. Close valve and re-try</li> <li>5) Clean and replace oil</li> <li>6) Replace packing</li> </ol>   |
| Jack does not lift high enough or feels "spongy" | <ol style="list-style-type: none"> <li>1) Oil level too high or too low</li> <li>2) Worn seals</li> <li>3) Air in system</li> <li>4) Release valve not closed</li> </ol>  | <ol style="list-style-type: none"> <li>1) Top up oil level or remove excess oil</li> <li>2) Return jack to local service agent</li> <li>3) Open release valve and pump the handle a few times. Close valve and re-try</li> <li>4) Check and close release valve</li> </ol>  |
| Jack lifts poorly                                | <ol style="list-style-type: none"> <li>1) Pump packing or valves malfunctioning</li> <li>2) Oil is dirty</li> <li>3) Air in the system</li> </ol>   | <ol style="list-style-type: none"> <li>1) Replace packing and/or clean valves</li> <li>2) Replace oil</li> <li>3) Open release valve and pump the handle a few times. Close valve and re-try</li> </ol>   |
| Jack lifts but will not hold load                | <ol style="list-style-type: none"> <li>1) Release valve partially open</li> <li>2) Dirt on valve seats</li> <li>3) Air in system</li> <li>4) Faulty seals</li> <li>5) Packing worn or defective</li> </ol>  | <ol style="list-style-type: none"> <li>1) Check and close release valve</li> <li>2) Lower jack, close release valve. Place foot on front wheel and pull up lifting arm to it's full height by hand</li> <li>3) Open the release valve to lower arm</li> <li>4) Open release valve and pump the handle a few times. Close valve and re-try</li> <li>5) Replace packing or contact local service agent</li> <li>6) Replace packing</li> </ol> |
| Jack will not lower completely                   | <ol style="list-style-type: none"> <li>1) Unit requires lubrication</li> <li>2) Piston rod bent or damaged</li> <li>3) Jack frame/link system distorted due to overloading/poor positioning</li> <li>4) Air in system</li> <li>5) Release valve partially open</li> <li>6) Jack spring damaged</li> </ol> | <ol style="list-style-type: none"> <li>1) Oil all external moving parts</li> <li>2) Replace rod or contact local service agent</li> <li>3) Replace damaged parts or contact local service agent</li> <li>4) Open release valve and pump the handle a few times. Close valve and re-try</li> <li>5) Check and fully open release valve</li> <li>6) Replace spring or contact local service agent</li> </ol>                                  |
| Jack does not lower at all                       | <ol style="list-style-type: none"> <li>1) Release valve still closed</li> </ol>   | <ol style="list-style-type: none"> <li>1) Check and fully open release valve</li> </ol>   |

### ENVIRONMENT PROTECTION



Recycle unwanted materials instead of disposing of them as waste. All tools, accessories and packaging should be sorted, taken to a recycling centre and disposed of in a manner which is compatible with the environment. When the product becomes completely unserviceable and requires disposal, drain any fluids (if applicable) into approved containers and dispose of the product and fluids according to local regulations.

**Note:** It is our policy to continually improve products and as such we reserve the right to alter data, specifications and component parts without prior notice.

**Important:** No Liability is accepted for incorrect use of this product.

**Warranty:** Guarantee is 12 months from purchase date, proof of which is required for any claim.

Sealey Group, Kempson Way, Suffolk Business Park, Bury St Edmunds, Suffolk. IP32 7AR



01284 757500



01284 703534



sales@sealey.co.uk



www.sealey.co.uk