



ELECTRIC MIXER 120LTR 1400W/110V

MODEL NO: **PM120L110V**

Thank you for purchasing a Sealey product. Manufactured to a high standard, this product will, if used according to these instructions, and properly maintained, give you years of trouble free performance.

IMPORTANT: PLEASE READ THESE INSTRUCTIONS CAREFULLY. NOTE THE SAFE OPERATIONAL REQUIREMENTS, WARNINGS & CAUTIONS. USE THE PRODUCT CORRECTLY AND WITH CARE FOR THE PURPOSE FOR WHICH IT IS INTENDED. FAILURE TO DO SO MAY CAUSE DAMAGE AND/OR PERSONAL INJURY AND WILL INVALIDATE THE WARRANTY. KEEP THESE INSTRUCTIONS SAFE FOR FUTURE USE.



Refer to instructions



Wear eye protection



Wear protective gloves



Wear safety footwear

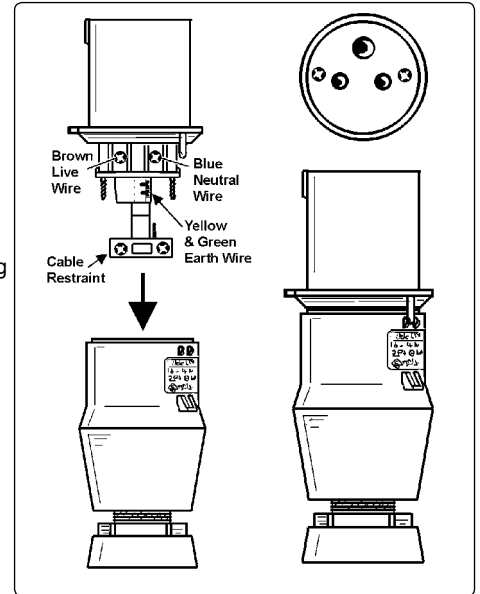


Wear ear protection

1. SAFETY

1.1. ELECTRICAL SAFETY

- ❑ **WARNING!** It is the responsibility of the owner and the operator to read, understand and comply with the following:
 - You must check all electrical products, before use, to ensure that they are safe. You must inspect power cables, plugs, sockets and any other connectors for wear or damage. You must ensure that the risk of electric shock is minimised by the installation of appropriate safety devices. A Residual Current Circuit Breaker (RCCB) should be incorporated in the main distribution board. We also recommend that a Residual Current Device (RCD) is used. It is particularly important to use an RCD with portable products that are plugged into a supply which is not protected by an RCCB. If in any doubt consult a qualified electrician. You may obtain a Residual Current Device by contacting your Sealey stockist.
 - ✓ You must also read and understand the following instructions concerning electrical safety.
- 1.1.1. The **Electricity at Work Act 1989** requires that all portable electrical appliances, if used on business premises, are tested by a qualified electrician, using a Portable Appliance Tester (PAT), at least once a year.
- 1.1.2. The **Health & Safety at Work Act 1974** makes owners of electrical appliances responsible for the safe condition of those appliances and the safety of the appliance operators. If in any doubt about electrical safety, contact a qualified electrician.
 - ✓ Ensure that the insulation on all cables and on the appliance is safe before connecting it to the power supply.
 - ✓ Ensure that cables are always protected against short circuit and overload.
 - ✓ Regularly inspect power supply cables and plugs for wear or damage and check all connections to ensure that none are loose.
 - ✓ Ensure that the voltage marked on the appliance matches the power supply to be used.
 - ✗ **DO NOT** pull or carry the appliance by its power supply lead.
 - ✗ **DO NOT** pull the plug from the socket by the power cable.
 - ✗ **DO NOT** use worn or damaged cables, plugs or connectors. Immediately have any faulty item repaired or replaced by a qualified electrician.
 - ✓ Ensure the unit is correctly earthed via a three-pin 110V plug.
 - a) Connect the GREEN/YELLOW earth wire to the earth terminal 'PE'.
 - b) Connect the BROWN live wire to the live terminal 'L/+ '.
 - c) Connect the BLUE neutral wire to the neutral terminal.
 - d) After wiring, check that there are no bare wires, that all wires have been correctly connected, that the cable outer insulation extends past the cable restraint and that the restraint is tight.



1.2. GENERAL SAFETY

- ✓ Disconnect the mixer from the mains power before changing accessories, servicing or performing any maintenance.
- ✓ Maintain mixer in good condition. Check moving parts and alignment of mixing paddle. If necessary use an authorised service agent.
- ✓ Replace or repair damaged parts. Use recommended parts only. Unauthorised parts may be dangerous and will invalidate the warranty.
- ✓ Wear approved safety eye protection and a dust mask if mixing generates dust. Rubber gloves are recommended.
- ✓ Remove ill fitting clothing. Remove ties, watches, rings, other loose jewellery and contain long hair.
- ✓ Use mixer in an adequate working area for its function, keep area clean, tidy and free from unrelated materials and ensure adequate lighting.
 - ✗ **DO NOT** over-reach and ensure the floor is not slippery and wear non slip shoes. Maintain correct balance and footing.
 - ✓ Always use both handle grips during use.
 - ✓ Keep children and unauthorised persons away from the working area.
 - ✓ Avoid unintentional starting of the mixer.
 - ✗ **DO NOT** use the mixer for a task which it was not designed to perform.
 - ✗ **DO NOT** operate mixer where there are flammable liquids or gasses.
 - ✗ **DO NOT** get the mixer wet or use in damp or wet locations.

- ✗ **DO NOT** operate the mixer if any parts are missing or the mixer is damaged as this may cause failure and/or possible injury.
- ✗ **DO NOT** operate the mixer when you are tired, under the influence of alcohol, drugs or intoxicating medication.
- ✗ **DO NOT** carry the mixer with your finger on the power switch, or carry by the power cord, or leave the mixer running whilst unattended.
- ✓ When not in use switch mixer off, remove plug from power supply, clean the mixer and store in safe, dry, child proof area.

2. INTRODUCTION

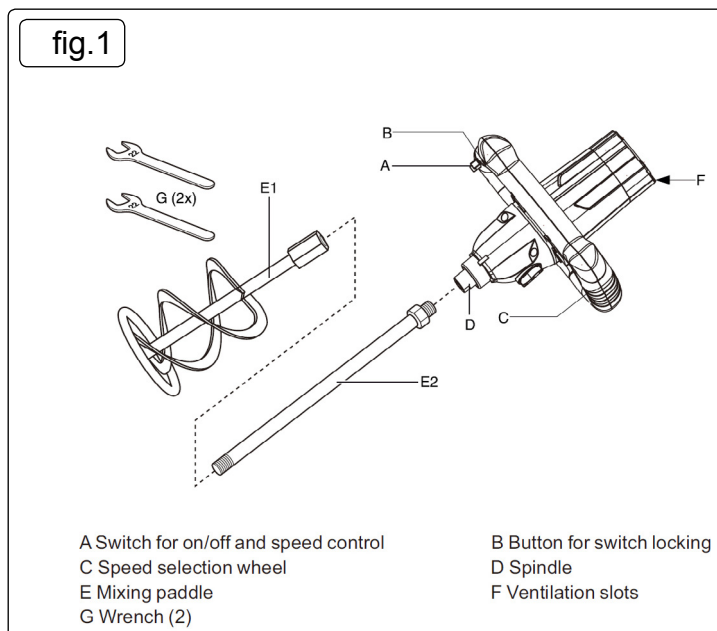
Powerful 110V electric mixer built into heavy-duty composite casing with rubber grips for added comfort. Mixing volume of up to 120ltr. Six speed settings and soft start allow for greater control when mixing a variety of materials. Supplied with two mixing paddles capable of mixing paint, varnish, tile adhesive, cement, plaster, mortar as well as a number of other liquid and dense materials. Lightweight design and over 2mtr of cable make this mixer easy to use.

3. SPECIFICATION

Model No.....	PM120L110V
Motor power	1400W
Supply	110V
No Load Speed	0-800rpm
Mixing Capacity.....	120ltr
Paddle Size.....	Ø140mm.
Thread.....	M14
Weight.....	7.5kg

4. OPERATION

- 4.1. Ensure that the tool is switched off and the power supply removed.
- 4.2. Screw mixing paddle E1 on to shaft E2, tighten with spanners G.
- 4.3. Screw mixing paddle assembly into mixer D.
- 4.4. Connect plug to power supply and switch on.
- 4.5. Ensure the mixing container is securely positioned on the floor.
- 4.6. Dip the mixing paddle into the substance to be mixed.
- 4.7. Set wheel C (Speed control) to low speed. Always hold the mixer with two hands.
- 4.8. Switch on the tool.
- 4.9. Gradually increase the mixing speed by turning wheel C to the desired maximum speed (so that the substance will not splash around and the tool will not be overloaded).
- 4.10. When mixing is complete switch off mixer before removing from substance.
- 4.11. Remove power supply and clean off paddle.



5. MAINTENANCE

- 5.1. Disconnect the plug before cleaning.
 - 5.2. Always keep tool and cord clean (especially the ventilation slots).
 - 5.3. Always clean the mixer and functional parts after your mixing work.
 - 5.4. Clean the tool with a dry, soft cloth (do not use cleaning agents or solvents).
 - 5.5. Clean ventilation slots F regularly with a brush or compressed air.
- N.B.** When not in use switch mixer off, remove plug from power supply, clean the mixer and store in safe, dry, child proof area



ENVIRONMENT PROTECTION

Recycle unwanted materials instead of disposing of them as waste. All tools, accessories and packaging should be sorted, taken to a recycling centre and disposed of in a manner which is compatible with the environment. When the product becomes completely unserviceable and requires disposal, drain any fluids (if applicable) into approved containers and dispose of the product and fluids according to local regulations.



WEEE REGULATIONS

Dispose of this product at the end of its working life in compliance with the EU Directive on Waste Electrical and Electronic Equipment (WEEE). When the product is no longer required, it must be disposed of in an environmentally protective way. Contact your local solid waste authority for recycling information.

Note: It is our policy to continually improve products and as such we reserve the right to alter data, specifications and component parts without prior notice.

Important: No Liability is accepted for incorrect use of this product.

Warranty: Guarantee is 12 months from purchase date, proof of which is required for any claim.

Sealey Group, Kempson Way, Suffolk Business Park, Bury St Edmunds, Suffolk. IP32 7AR



01284 757500



01284 703534



sales@sealey.co.uk



www.sealey.co.uk