



INSTRUCTIONS FOR

MODULAR 2 DOOR WALL CABINET 665MM

MODEL NO: **APMS85**

Thank you for purchasing a Sealey product. Manufactured to a high standard, this product will, if used according to these instructions, and properly maintained, give you years of trouble free performance.

IMPORTANT: PLEASE READ THESE INSTRUCTIONS CAREFULLY. NOTE THE SAFE OPERATIONAL REQUIREMENTS, WARNINGS & CAUTIONS. USE THE PRODUCT CORRECTLY AND WITH CARE FOR THE PURPOSE FOR WHICH IT IS INTENDED. FAILURE TO DO SO MAY CAUSE DAMAGE AND/OR PERSONAL INJURY AND WILL INVALIDATE THE WARRANTY. KEEP THESE INSTRUCTIONS SAFE FOR FUTURE USE.



Refer to instructions



Wear protective gloves



Wear safety footwear

1. SAFETY

1.1. GENERAL SAFETY

- ❑ **WARNING!** Use the cabinet on level and solid ground, preferably concrete. Avoid tarmac since the cabinet may sink into the surface.
- ✓ Locate the cabinet in a suitable working area.
- ✓ Keep the cabinet clean and tidy in accordance with good workshop practice.
- ✓ Keep children and unauthorised persons away from the working area.
- ✓ Take care of sharp edges when assembling.
- ✗ **DO NOT** use the cabinet for any purpose other than that for which it is designed.
- ✗ **DO NOT** use the cabinet outside.
- ✗ **DO NOT** get the cabinet wet or use in damp or wet locations or areas where there is condensation.
- ✗ **DO NOT** clean the cabinet with any solvents which may damage the surfaces.

2. INTRODUCTION

Modular storage system ideal for any garage or workshop. Can be easily adjusted and upgraded to suit specific needs. Purchase a simple base cabinet or create a custom storage system.

Standard features include:

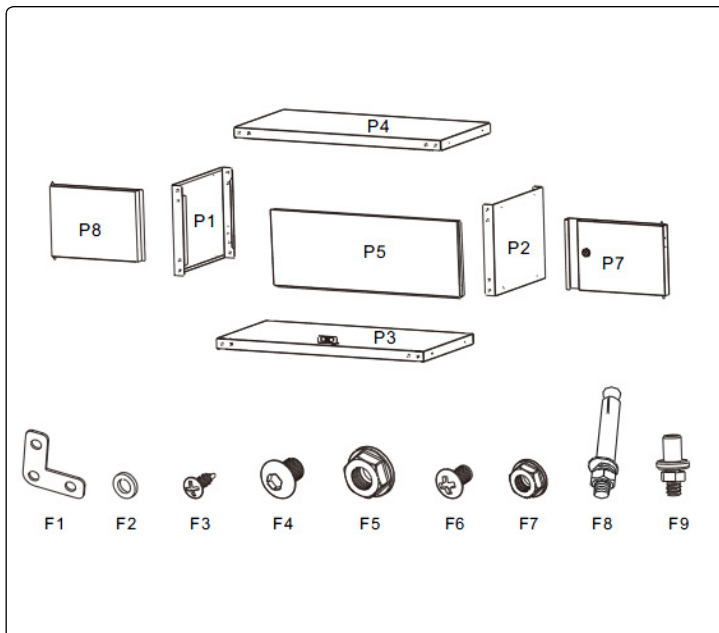
- Ball bearing drawer slides throughout.
- Base cabinets are supplied with a worktop as standard.
- Floor cabinets feature adjustable shelves.
- Each unit is supplied with a lock and two keys.
- Supplied flat packed and will require some simple assembly.
- Two door floor and wall cabinets feature perforated pegboard panels on the inside of the doors.

3. SPECIFICATION

Model No. APMS85
 Overall Size (W x D x H) 665 x 305 x 360mm

Shelf weight limit..... 18kg
 Cabinet weight limit..... 36kg

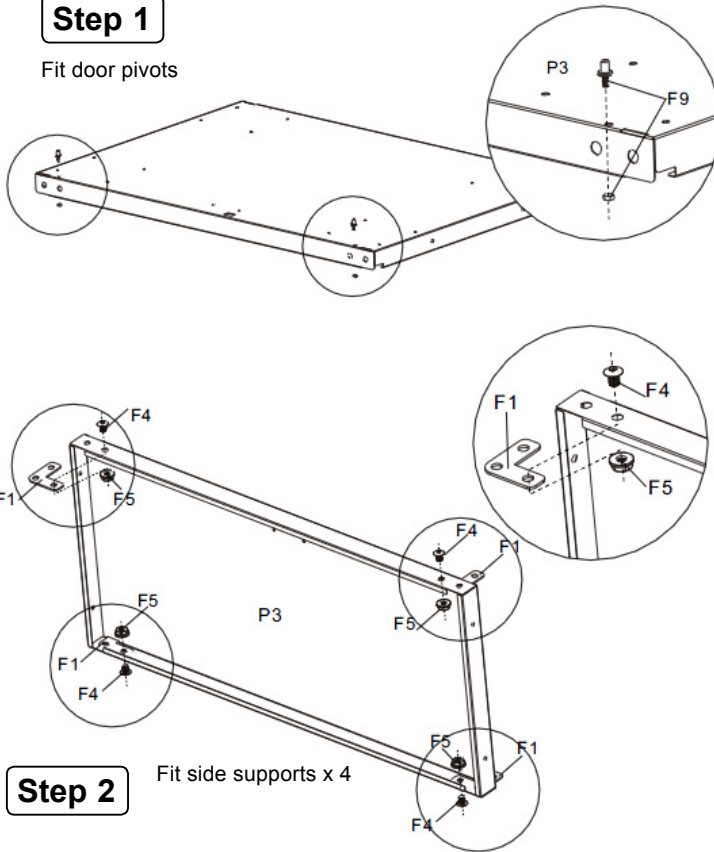
4. CONTENTS



5. ASSEMBLY

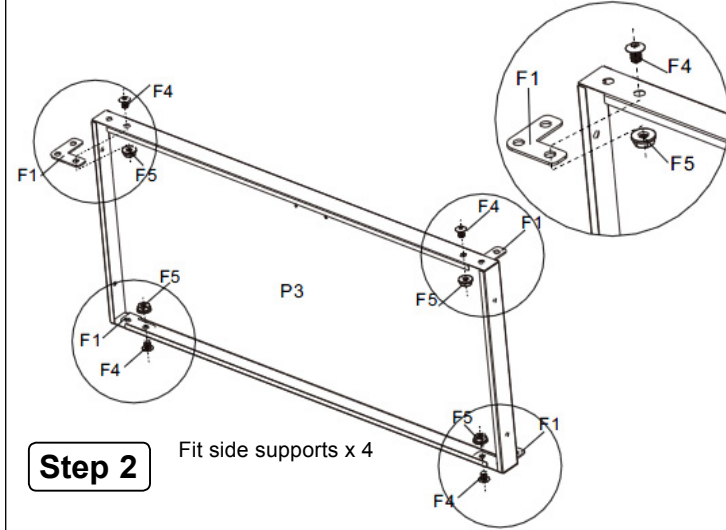
Step 1

Fit door pivots



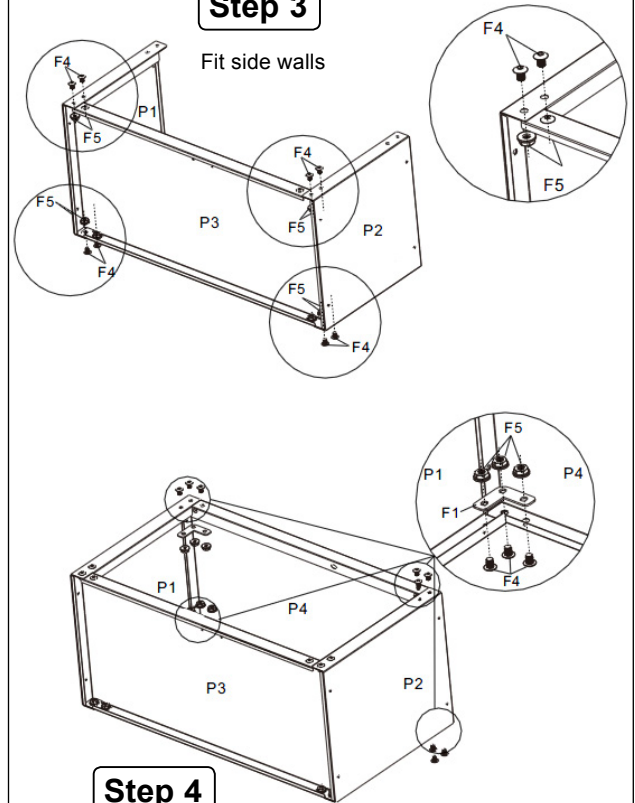
Step 2

Fit side supports x 4



Step 3

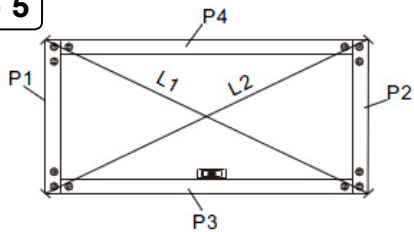
Fit side walls



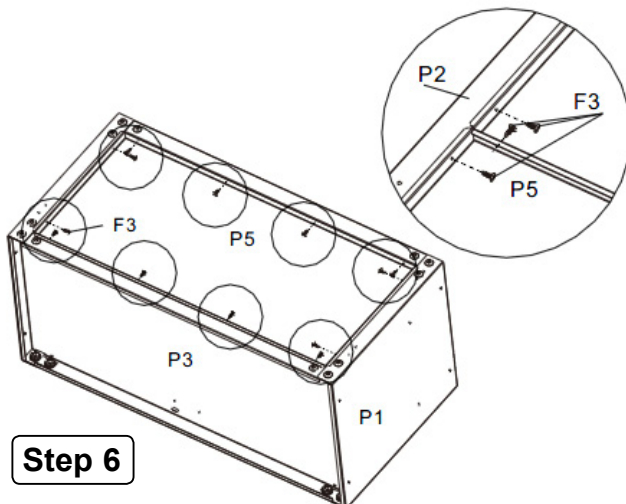
Step 4

Fit internal supports.
Fit cabinet top.

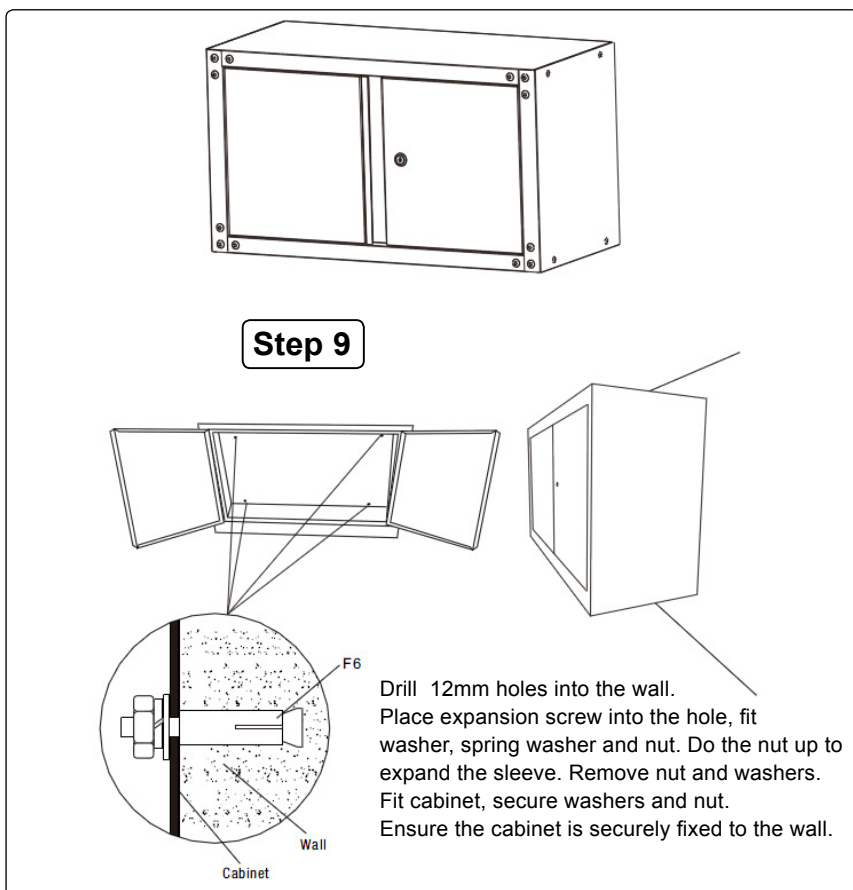
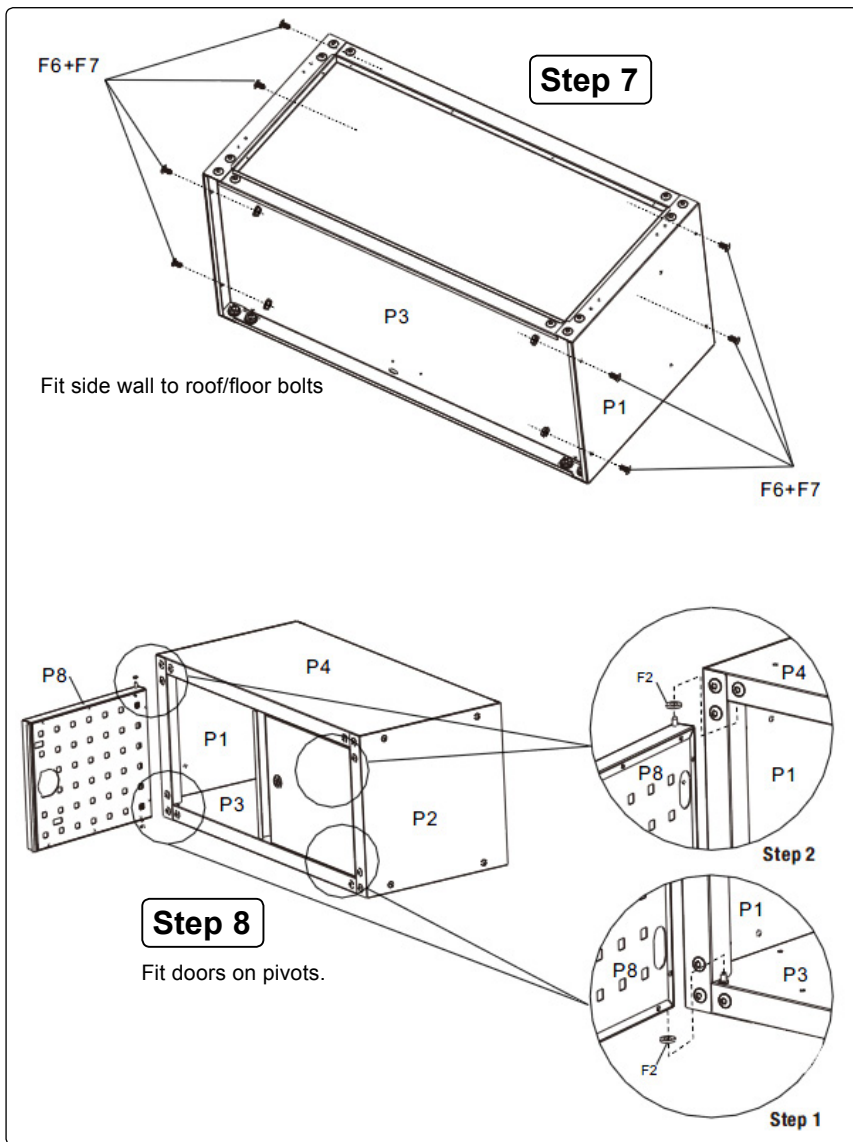
Step 5



Square the cabinet frame. Make sure the measurement from corner to corner are equal before completely tightening the bolts.
 $L1 = L2$



Step 6



**ENVIRONMENT PROTECTION**

Recycle unwanted materials instead of disposing of them as waste. All tools, accessories and packaging should be sorted, taken to a recycling centre and disposed of in a manner which is compatible with the environment. When the product becomes completely unserviceable and requires disposal, drain any fluids (if applicable) into approved containers and dispose of the product and fluids according to local regulations.

Note: It is our policy to continually improve products and as such we reserve the right to alter data, specifications and component parts without prior notice.

Important: No Liability is accepted for incorrect use of this product.

Warranty: Guarantee is 12 months from purchase date, proof of which is required for any claim.

Sealey Group, Kempson Way, Suffolk Business Park, Bury St Edmunds, Suffolk. IP32 7AR



01284 757500



01284 703534



sales@sealey.co.uk



www.sealey.co.uk