



INSTRUCTIONS FOR
MODULAR 2 DOOR FULL HEIGHT CABINET
665mm
 MODEL NO: **APMS83**

Thank you for purchasing a Sealey product. Manufactured to a high standard, this product will, if used according to these instructions, and properly maintained, give you years of trouble free performance.

IMPORTANT: PLEASE READ THESE INSTRUCTIONS CAREFULLY. NOTE THE SAFE OPERATIONAL REQUIREMENTS, WARNINGS & CAUTIONS. USE THE PRODUCT CORRECTLY AND WITH CARE FOR THE PURPOSE FOR WHICH IT IS INTENDED. FAILURE TO DO SO MAY CAUSE DAMAGE AND/OR PERSONAL INJURY AND WILL INVALIDATE THE WARRANTY. KEEP THESE INSTRUCTIONS SAFE FOR FUTURE USE.



Refer to instructions



Wear protective gloves



Wear safety footwear

1. SAFETY

1.1. GENERAL SAFETY

- WARNING!** Use the cabinet on level and solid ground, preferably concrete. Avoid tarmac since the cabinet may sink into the surface.
- ✓ Locate the cabinet in a suitable working area.
- ✓ Keep the cabinet clean and tidy in accordance with good workshop practice.
- ✓ Keep children and unauthorised persons away from the working area.
- ✓ Take care when assembling of sharp edges
- ✗ **DO NOT** use the cabinet for any purpose other than that for which it is designed.
- ✗ **DO NOT** use the cabinet out of doors.
- ✗ **DO NOT** get the cabinet wet or use in damp or wet locations or areas where there is condensation.
- ✗ **DO NOT** clean the cabinet with any solvents which may damage the surfaces.

Note: The assembly of this product may require assistance.

2. INTRODUCTION

Modular storage system ideal for any garage or workshop. Can be easily adjusted and upgraded to suit specific needs. Purchase a simple base cabinet or create a custom storage system.

Standard features include:

- Ball bearing drawer slides throughout.
- Base cabinets are supplied with a worktop as standard.
- Floor cabinets feature adjustable shelves.
- Each unit is supplied with a lock and two keys.
- Supplied flat packed and will require some simple assembly.
- Two door floor and wall cabinets feature perforated pegboard panels on the inside of the doors.

3. SPECIFICATION

Model No. APMS83

Overall Size (W x D x H) 665 x 460 x 1870mm

4. CONTENTS

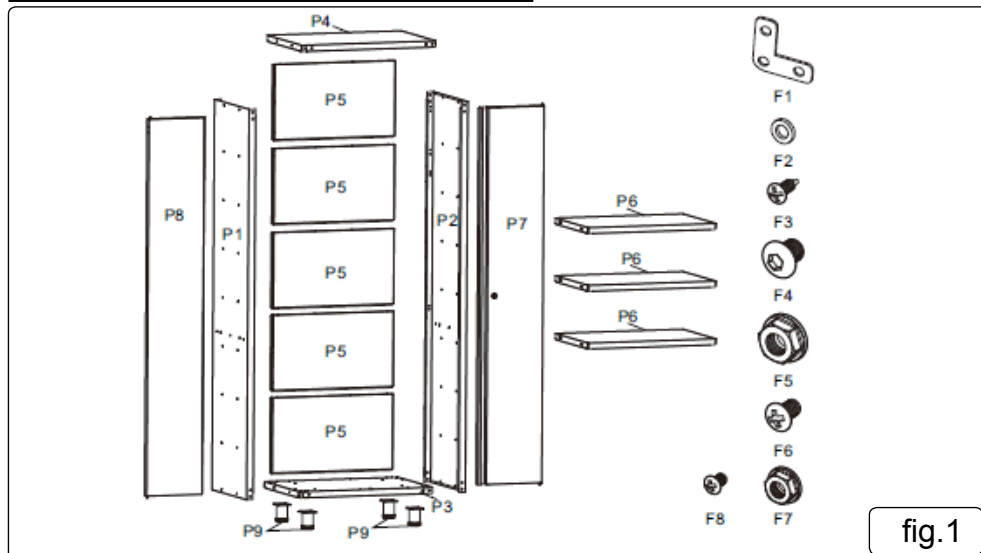
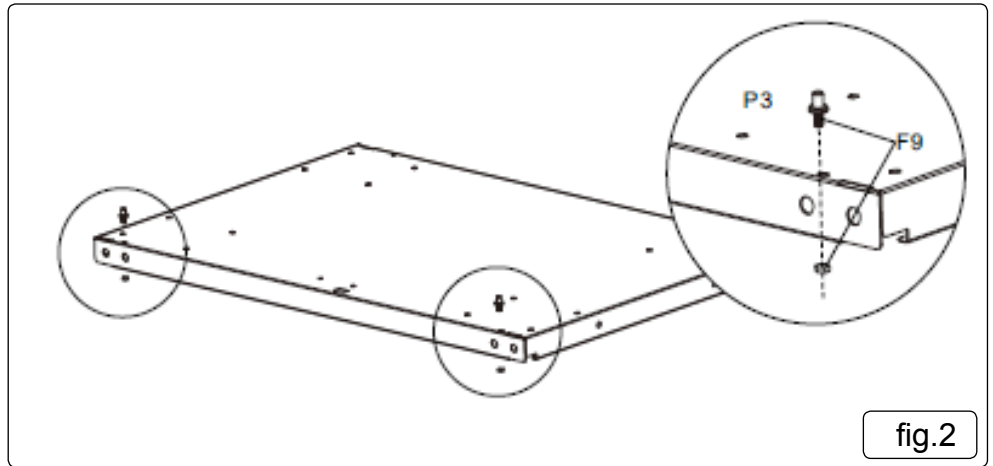


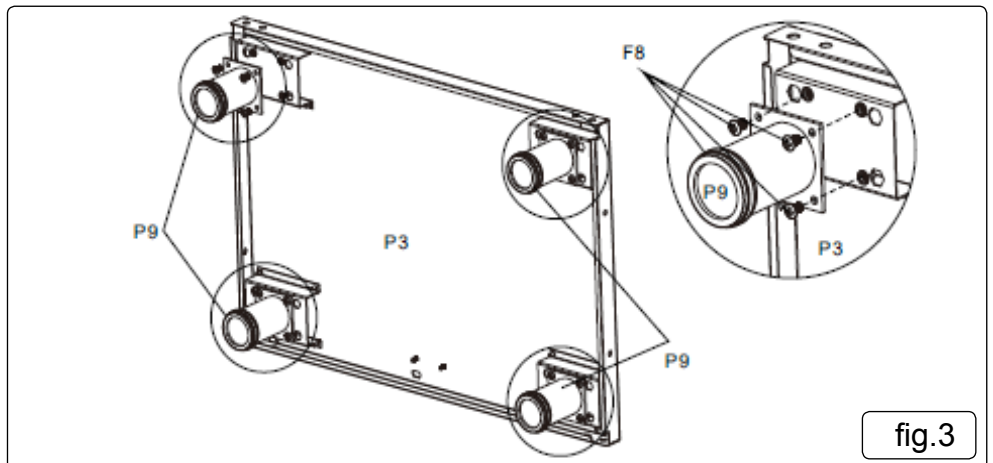
fig.1

5. ASSEMBLY

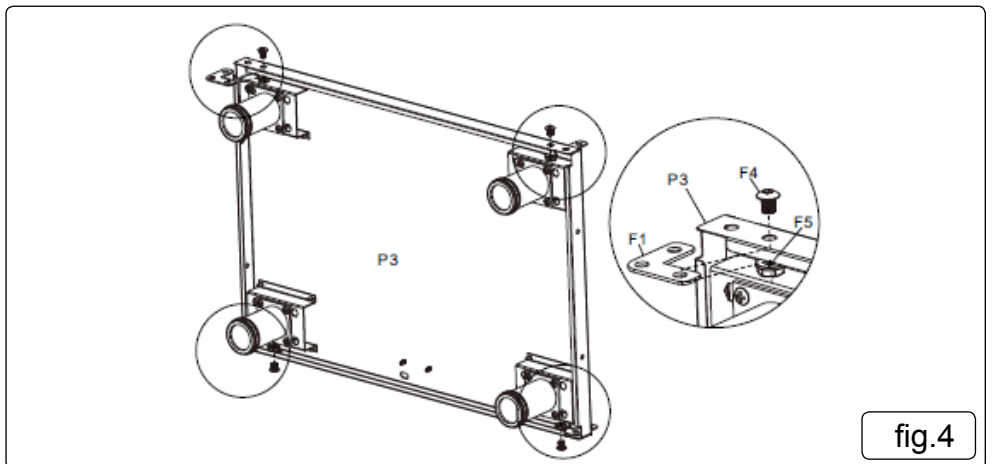
5.1. Fix pegs into base as per fig.2.



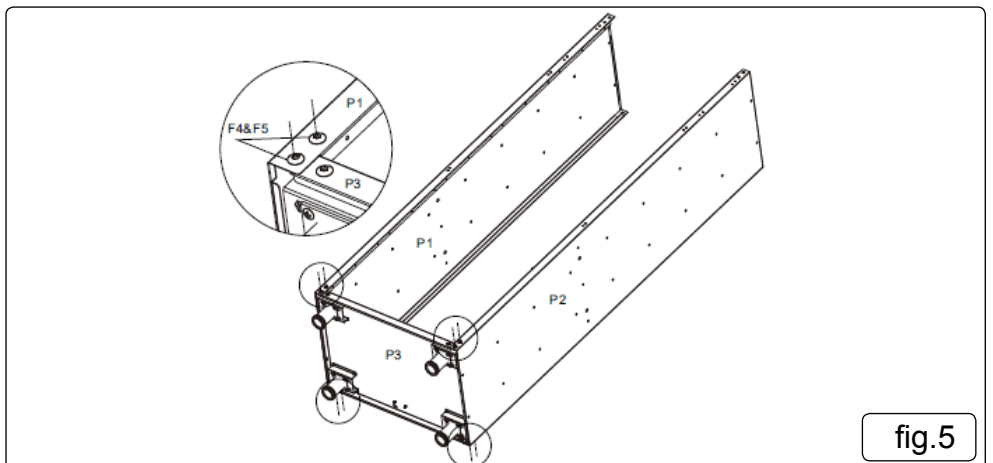
5.2. Attach feet to bottom of base as per fig.3.



5.3. Bolt side panel angle bracket to base as per fig.4.



5.4. Bolt side panels to base as per fig.5.



5.5. Attach top of cabinet using angle brackets as per fig.6.

5.6. Square the cabinet frame. Make sure the measurements from corner to corner are equal before tightening all bolts as per fig.7.

5.7. Position back panels and screw together as per fig.8.

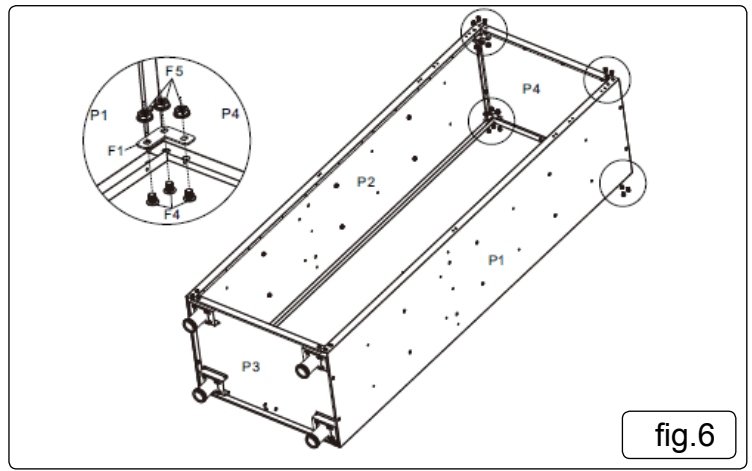


fig.6

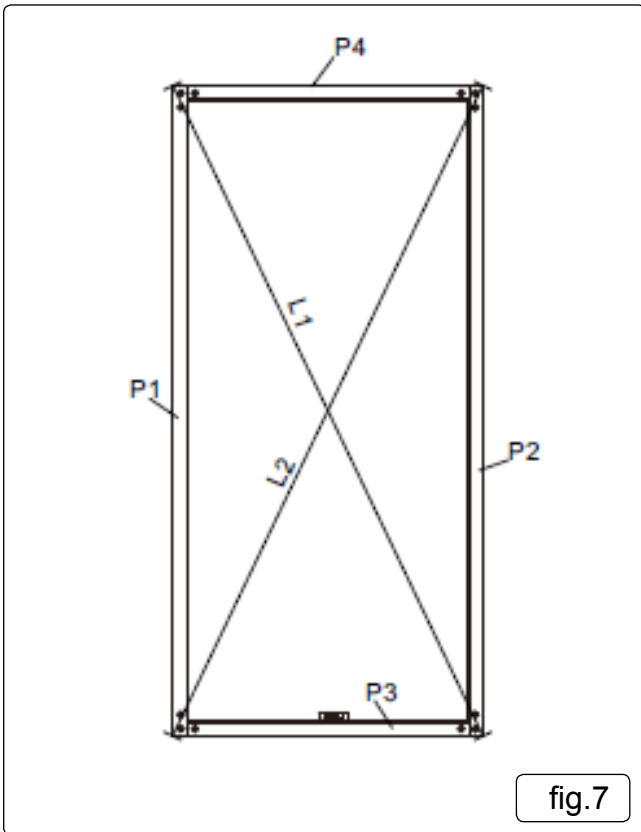


fig.7

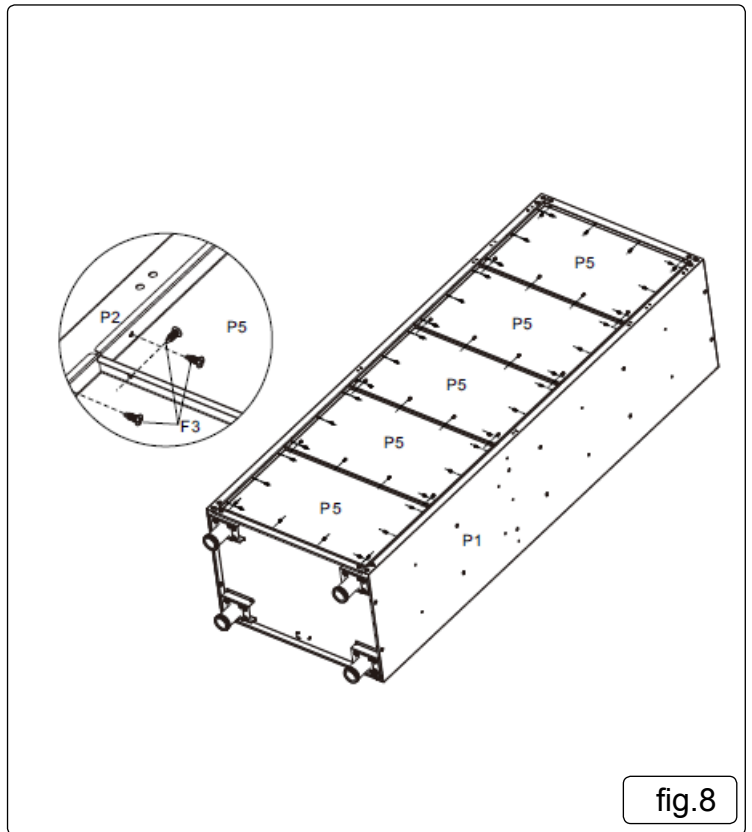


fig.8

5.8. Slide shelves into place and attached to side panels as per fig.9.

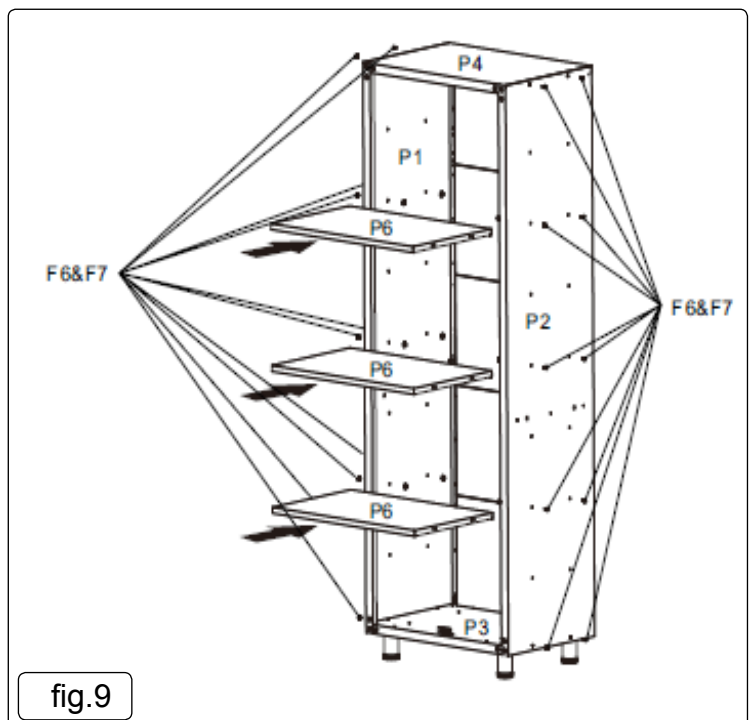


fig.9

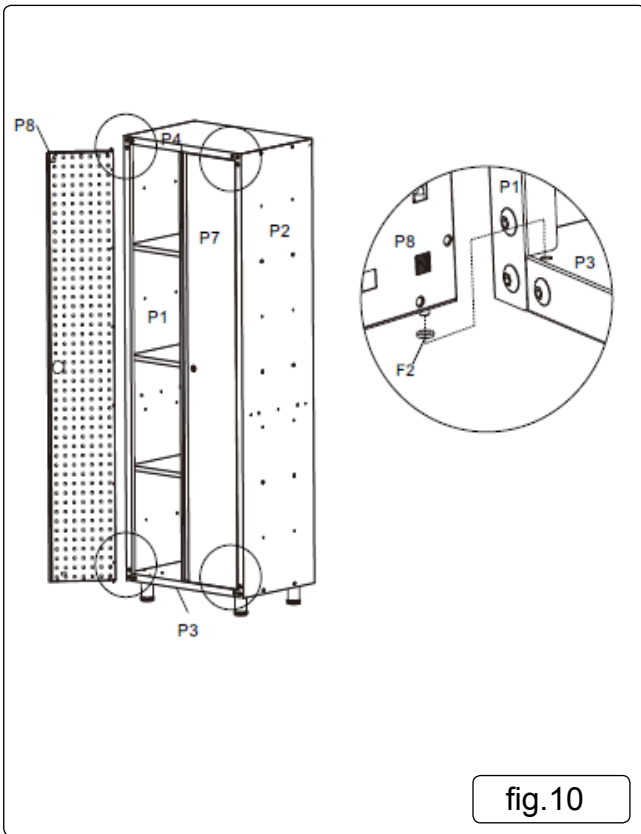


fig.10

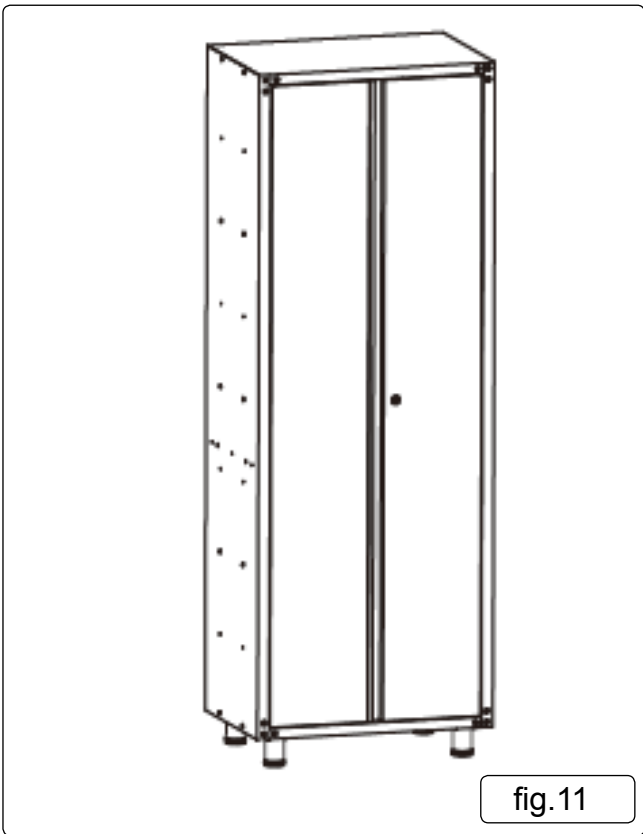



fig.11

5.9. Position the doors/hinges as per fig.10.

**N.B. The maximum weight limit is 18Kg for each shelf.
The maximum weight limit is 72Kg for the cabinet.**

 **ENVIRONMENT PROTECTION**
Recycle unwanted materials instead of disposing of them as waste. All tools, accessories and packaging should be sorted, taken to a recycling centre and disposed of in a manner which is compatible with the environment. When the product becomes completely unserviceable and requires disposal, drain any fluids (if applicable) into approved containers and dispose of the product and fluids according to local regulations.

Note: It is our policy to continually improve products and as such we reserve the right to alter data, specifications and component parts without prior notice.
Important: No Liability is accepted for incorrect use of this product.
Warranty: Guarantee is 12 months from purchase date, proof of which is required for any claim.

Sealey Group, Kempson Way, Suffolk Business Park, Bury St Edmunds, Suffolk. IP32 7AR
 01284 757500  01284 703534  sales@sealey.co.uk  www.sealey.co.uk