



INSTRUCTIONS FOR  
**2/3 LEVEL HEAVY DUTY WORKSHOP TROLLEY**  
 MODEL NO'S: **CX105.V3 & CX108.V3**

Thank you for purchasing a Sealey product. Manufactured to a high standard, this product will, if used according to these instructions and maintained properly, give you years of trouble free performance.

**IMPORTANT:** PLEASE READ THESE INSTRUCTIONS CAREFULLY. NOTE THE SAFE OPERATIONAL REQUIREMENTS, WARNINGS & CAUTIONS. USE THE PRODUCT CORRECTLY AND WITH CARE FOR THE PURPOSE FOR WHICH IT IS INTENDED. FAILURE TO DO SO MAY CAUSE DAMAGE AND/OR PERSONAL INJURY AND WILL INVALIDATE THE WARRANTY. KEEP THESE INSTRUCTIONS SAFE FOR FUTURE USE.



Refer to instruction manual

**1. SAFETY**

- WARNING!** Ensure Health & Safety, local authority, and general workshop practice regulations are adhered to when using this trolley.
- ✓ Always load evenly with the centre of gravity of the load as near centre of the trolley as possible.
- ✗ **DO NOT** overload the trolley - see specifications.
- ✓ Use the trolley in a suitable work area.
- ✓ Keep the work area clean, uncluttered and ensure there is adequate lighting.
- ✓ Keep the trolley clean and tidy in accordance with good workshop practice.
- ✗ **DO NOT** use the trolley for any purpose other than that for which it is designed.
- ✗ **DO NOT** stand on the trolley, use it as a ladder or allow others to ride on the trolley.
- ✓ Use the wheel locks to prevent the trolley from inadvertently moving.
- ✗ **DO NOT** leave unattended, especially when loaded, unless the wheels are locked, chocked or the trolley otherwise secured.
- ✗ **DO NOT** use trolley on uneven ground and do not run over curbs or steps - use a ramp.
- ✗ **DO NOT** use trolley if any part is significantly damaged, paying particular attention to the wheels.
- ✓ Keep children and unauthorised persons away from the work area.

**2. INTRODUCTION**

Ideal for regularly used workshop items such as body repair kits, power tools and bulky equipment too big for a tool chest. Strong build quality and extra large castors also make this an excellent dismantling trolley for smaller vehicle components.

**3. SPECIFICATION**

Model No: .....	<b>CX105.V3</b> .....	<b>CX108.V3</b>
Overall Size (W x D x H): .....	840 x 405 x 810mm .....	840 x 405 x 810mm
Shelf Size (W x D x H): .....	790 x 400 x 80mm .....	790 x 400 x 80mm
Capacity: .....	100kg (50kg/level) .....	150kg (50kg/level)

**4. ASSEMBLY**

Fig.1

- 4.1. Attach posts to trays.
- 4.1.1. Lay one tray (the one with the four sets of castor holes on the bottom) on the floor and attach posts to the outside corners of the tray using 32 x M6 short bolt and nut sets.

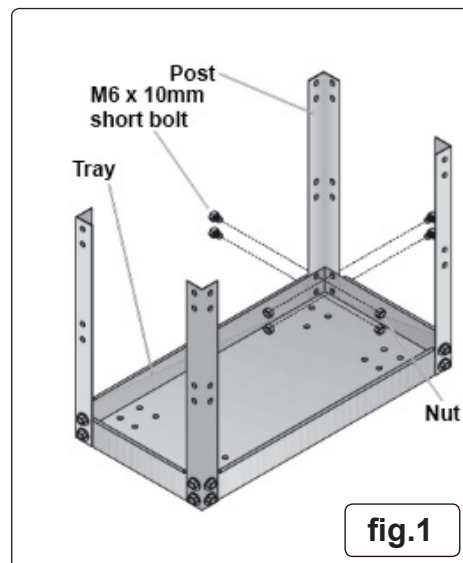
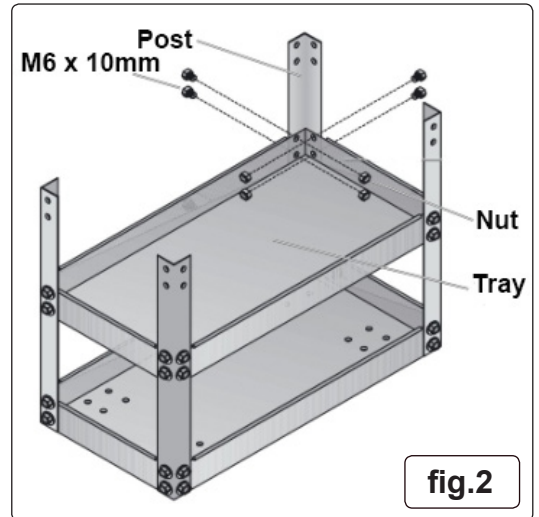


fig.1

**Fig.2**

**This step is NOT applicable for CX109HV go to fig.3**

- 4.2. Attach the other tray to the inside top of the posts using 32 x M6 short bolt and nut sets.
- 4.2.1. Put the trolley on its side and work on two posts at a time, for ease of assembly.



**ENVIRONMENT PROTECTION**

Recycle unwanted materials instead of disposing of them as waste. All tools, accessories and packaging should be sorted, taken to a recycling centre and disposed of in a manner which is compatible with the environment. When the product becomes completely unserviceable and requires disposal, drain any fluids (if applicable) into approved containers and dispose of the product and fluids according to local regulations.

**Note:** It is our policy to continually improve products and as such we reserve the right to alter data, specifications and component parts without prior notice.

**Important:** No Liability is accepted for incorrect use of this product.

**Warranty:** Guarantee is 12 months from purchase date, proof of which is required for any claim.

**Sealey Group, Kempson Way, Suffolk Business Park, Bury St Edmunds, Suffolk. IP32 7AR**



**01284 757500**



**01284 703534**



**sales@sealey.co.uk**



**www.sealey.co.uk**