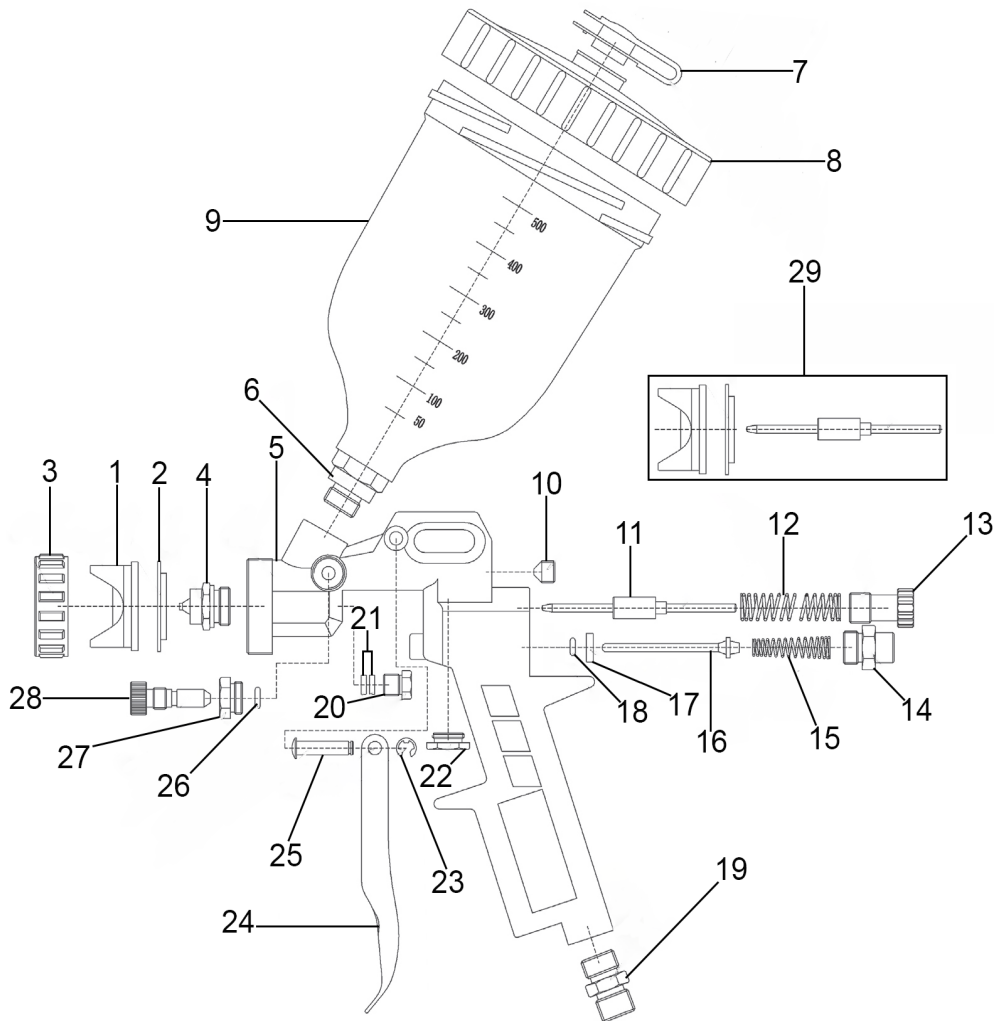


## Parts Information: Spray Gun Gravity Feed 2.2mm Set-Up Model No: SSG501.V4



Item	Part No.	Description
1	SSG501.V4-01	Air Cap 2.2mm
2	SSG502.V2-03	Washer, Air Cap
3	SSG502.V2-01	Retaining Nut, Air Cap
4	SSG501.V4-04	Nozzle 2.2mm
5	SSG502.V2-05	Gun Body
6	SSG502.V2-06	Adaptor, Fluid Cup
7	SSG502.V2-07	Pin, Fluid Pot Cover
8	SSG502.V2-08	Cover, Fluid Pot
9	SSG502.V2-09	Fluid Pot
10	SSG502.V2-10	Seal Screw
11	SSG501.V4-19	Fluid Needle 2.2mm
12	SSG502.V2-12	Adjusting Spring
13	SSG502.V2-13	Adjusting Screw
14	SSG502.V2-14	Valve Seat
15	SSG502.V2-15	Spring, Valve Seat
16	SSG502.V2-16	Air Valve Rod

Item	Part No.	Description
17	SSG502.V2-17	Sealing Washer
18	SSG502.V2-18	O-Ring
19	SSG502.V2-19	Airline Adaptor
20	SSG502.V2-20	Packing Nut
21	SSG502.V2-21	Seal, Packing Nut
22	SSG502.V2-22	Seal Washer
23	SSG9.12	E-Clip
24	SSG502.V2-24	Trigger
25	SSG502.V2-25	Trigger Pin
26	SSG502.V2-26	O-Ring
27	SSG502.V2-27	Fan Adjustment Seat
28	SSG502.V2-28	Fan Adjustment Screw
29	SSG502.V2-S2.2	Set-Up 2.2mm
--	SSG502.V2-S1.5	Set-Up 1.5mm (Not Shown)
--	SSG502.V2-S1.8	Set-Up 1.8mm (Not Shown)

**NOTE:** It is our policy to continually improve products and as such we reserve the right to alter data, specifications and component parts without prior notice. There may be alternative versions of this product, please contact us should you require this information.

**IMPORTANT:** No liability is accepted for incorrect use of product. Spare parts must be fitted by a competent person

**WARRANTY:** Guarantee is 12 months from purchase date, proof of which will be required for any claim.