

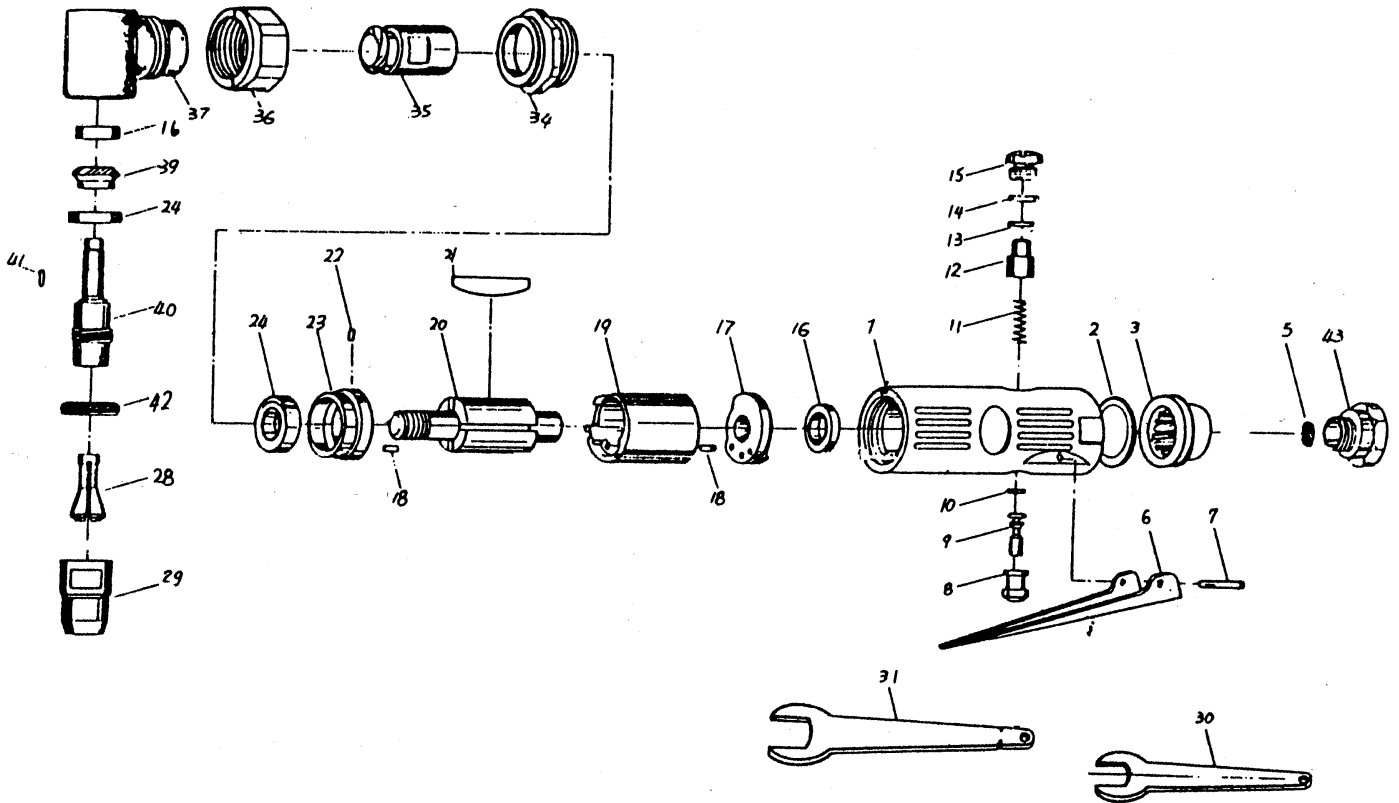
# PARTS LISTING

MACHINE: ANGLE DIE GRINDER

MACHINE STOCK No. 38147.

MACHINE PART No. 4247A.

01/98



| KEY No. | PART No.  | STOCK No. | DESCRIPTION    |
|---------|-----------|-----------|----------------|
| 1       | Y4247A-1  | 38284     | Housing        |
| 2       | Y4247A-2  | 38285     | O-ring         |
| 3       | Y4247A-3  | 38286     | End cap        |
| 5       | Y4247A-5  | 38287     | Filter         |
| 6       | Y4247A-6  | 38288     | Throttle lever |
| 7       | Y4247A-7  | 38289     | Spring pin     |
| 8       | Y4247A-8  | 38290     | Bush           |
| 9       | Y4247A-9  | 38291     | Valve          |
| 10      | Y4247A-10 | 38292     | O-ring         |
| 11      | Y4247A-11 | 38293     | Spring         |
| 12      | Y4247A-12 | 38294     | Air regulator  |
| 13      | Y4247A-13 | 38295     | O-ring         |
| 14      | Y4247A-14 | 38296     | O-ring         |
| 15      | Y4247A-15 | 38297     | Valve screw    |
| 16      | Y4247A-16 | 38298     | Ball bearing   |
| 17      | Y4247A-17 | 38299     | Rear end plate |
| 18      | Y4247A-18 | 38300     | Spring pin     |
| 19      | Y4247A-19 | 38301     | Cylinder       |
| 20      | Y4247A-20 | 38302     | Rotor          |

| KEY No. | PART No.  | STOCK No. | DESCRIPTION     |
|---------|-----------|-----------|-----------------|
| 21      | Y4247A-21 | 38303     | Rotor blades    |
| 22      | Y4247A-22 | 38304     | Steel ball      |
| 23      | Y4247A-23 | 38305     | Front end plate |
| 24      | Y4247A-24 | 38306     | Ball bearing    |
| 28      | Y4247A-28 | 38307     | Collet          |
| 29      | Y4247A-29 | 38308     | Clamp nut       |
| 30      | Y4247A-30 | 38309     | Wrench          |
| 31      | Y4247A-31 | 38310     | Wrench          |
| 34      | Y4247A-34 | 38311     | Locking nut     |
| 35      | Y4247A-35 | 38312     | Bevel gear      |
| 36      | Y4247A-36 | 38313     | Head nut        |
| 37      | Y4247A-37 | 38314     | Gear housing    |
| 39      | Y4247A-39 | 38315     | Bevel gear      |
| 40      | Y4247A-40 | 38316     | Collet spindle  |
| 41      | Y4247A-41 | 38317     | Key             |
| 42      | Y4247A-42 | 38318     | Bearing cap     |
| 43      | Y4247A-43 | 38319     | Gear oiler      |