



SPARE PARTS LISTING SHEET FOR

210mm Sliding Compound Mitre Saw

Stock No.83677

Part No.SMS210B

KEY No.	PART No.	STOCK No.	DESCRIPTION
1	YSMS210B-01	84245	Screw
2	YSMS210B-02	84246	Washer
3	YSMS210B-03	84247	Tapping Screw
4	YSMS210B-04	84248	Upper Handle
5	YSMS210B-05	84249	Trigger
6	YSMS210B-06	84250	Cord Press Plate
7	YSMS210B-07	84251	Lower Handle
8	YSMS210B-08	84252	Cable Sheath
9	YSMS210B-09	84253	Power Cord And Plug
10	YSMS210B-10	84254	Inner Wire Sleeve
11	YSMS210B-11	84255	Screw
12	YSMS210B-12	84256	Terminal
13	YSMS210B-13	84257	Trigger Spring
14	YSMS210B-14	84259	Micro Switch
15	YSMS210B-15	84260	Dust Bag
16	YSMS210B-16	84261	Locknut
17	YSMS210B-17	84262	Torsion Spring
18	YSMS210B-18	84263	Lock Bracket
19	YSMS210B-19	84264	Screw
20	YSMS210B-20	84265	Lock Level
21	YSMS210B-21	84266	Screw
22	YSMS210B-22	84267	Spindle Lock Pin
23	YSMS210B-23	84268	C Ring
24	YSMS210B-24	84269	Spindle Lock Pin Spring
25	YSMS210B-25	84270	Brand Label
26	YSMS210B-26	84271	Inner Flange
27	YSMS210B-27	84273	Flat Key
28	YSMS210B-28	84274	Spindle
29	YSMS210B-29	84275	Spring Washer
30	YSMS210B-30	84276	Gear Box Cover
31	YSMS210B-31	84277	Bearing
32	YSMS210B-32	84278	Screw
33	YSMS210B-33	84279	Spindle Lock Stop Plate
34	YSMS210B-34	84280	Gear
35	YSMS210B-35	84281	Check Ring
36	YSMS210B-36	84283	Copper Sleeve

KEY No.	PART No.	STOCK No.	DESCRIPTION
37	YSMS210B-37	84284	Fix Guard
38	YSMS210B-38	84285	Depth Adjuster
39	YSMS210B-39	84287	Knurled Nut
40	YSMS210B-40	84288	Hex Screw
41	YSMS210B-41	84289	Nut
42	YSMS210B-42	84290	Bearing
43	YSMS210B-43	84291	Fan Baffle
44	YSMS210B-44	84292	Armature
45	YSMS210B-45	84295	Bearing
46	YSMS210B-46	84297	Bearing Sleeve
47	YSMS210B-47	84303	Tapping Screw
48	YSMS210B-48	84304	Stator
49	YSMS210B-49	84306	Rating Label
50	YSMS210B-50	84307	Motor Housing
51	YSMS210B-51	84308	Warning Label
52	YSMS210B-52	84310	Brush Holder
53	YSMS210B-53	84311	Carbon Brush
54	YSMS210B-54	84312	Tapping Screw
55	YSMS210B-55	84313	Brush Spring
56	YSMS210B-56	84314	End Cap
57	YSMS210B-57	84315	Blade Rear Cover
58	YSMS210B-58	84319	Laser
59	YSMS210B-59	84320	Screw
60	ASMS210B-60	84321	Blade
61	YSMS210B-61	84322	Outer Flange
62	YSMS210B-62	84323	Hex Screw
63	YSMS210B-63	84325	Screw
64	YSMS210B-64	84326	Spring Washer
65	YSMS210B-65	84327	Bracket Clamp
66	YSMS210B-66	84328	Lock Nut
67	YSMS210B-67	84329	Guard Bracket
68	YSMS210B-68	84330	Washer
69	YSMS210B-69	84331	Screw
70	YSMS210B-69	84331	Screw
71	YSMS210B-71	84332	Torsion Spring
72	YSMS210B-72	84333	Centre Plate

Helpline: (023) 8049 4344. Sales Desk: (023) 8049 4333. General Enquiries: (023) 8026 6355.

DRAPER TOOLS LTD, HURSLEY ROAD, CHANDLER'S FORD, EASTLEIGH, HANTS. SO53 1YF. U.K website: drapertools.com e-mail: sales@drapertools.com



SPARE PARTS LISTING SHEET FOR

210mm Sliding Compound Mitre Saw

Stock No.83677

Part No.SMS210B

KEY No.	PART No.	STOCK No.	DESCRIPTION
73	YSMS210B-73	84334	Move Guard Group
74	YSMS210B-74	84335	Shoulder Screw
75	YSMS210B-75	84336	Wave Washer
76	YSMS210B-76	84337	Linkage
77	YSMS210B-77	84338	Washer
78	YSMS210B-78	84339	Bearing Cover
79	YSMS210B-79	84341	Arm
80	YSMS210B-80	84343	Washer
81	YSMS210B-81	84346	Spring
82	YSMS210B-82	84347	Knob
83	YSMS210B-83	84348	Linear Bearing
84	YSMS210B-84	84350	Hex Bolt
85	YSMS210B-85	84353	Bevel Locker
86	YSMS210B-86	84354	Washer
87	YSMS210B-87	84355	Bevel Scale
88	YSMS210B-88	84356	Lock Pin Knob
89	YSMS210B-89	84357	O-ring
90	YSMS210B-90	84358	Lock Pin
91	YSMS210B-91	84359	Washer
92	YSMS210B-92	84361	Cutting Depth Stop Plate
93	YSMS210B-93	84362	Half Round Head Screw
94	YSMS210B-94	84372	Bracket
95	YSMS210B-95	84373	Big Torsion Spring
96	YSMS210B-96	84380	Spring Sleeve
97	YSMS210B-97	84381	Pivot Shaft
98	YSMS210B-98	84382	Kerf Plate
99	YSMS210B-99	84383	Hex Screw
100	YSMS210B-100	84385	Lock Plate
101	YSMS210B-101	84386	Square Nut
102	YSMS210B-102	84387	Hex Screw
103	YSMS210B-103	84389	Screw
104	YSMS210B-104	84391	Washer
105	YSMS210B-105	84392	Bevel Indicator
106	YSMS210B-106	84393	Wave Washer
107	YSMS210B-107	84394	Locknut
108	YSMS210B-108	84395	Washer

KEY No.	PART No.	STOCK No.	DESCRIPTION
109	YSMS210B-109	84397	Rotary Table
110	YSMS210B-110	84398	Turn Table
111	YSMS210B-111	84399	Screw
112	YSMS210B-112	84400	Spring
113	YSMS210B-113	84401	Location Push Button
114	YSMS210B-114	84402	Hex Screw
115	YSMS210B-115	84403	Handle Cap
116	YSMS210B-116	84404	Mitre Handle
117	YSMS210B-117	84405	Mitre Angle Lock Rod
118	YSMS210B-118	84406	Mitre Indicator
119	YSMS210B-119	84410	Mitre Scale
120	YSMS210B-120	84411	Base
121	YSMS210B-121	84412	Locknut
122	YSMS210B-122	84413	Hex Key Store
123	YSMS210B-123	84414	Hex Key
124	YSMS210B-124	84415	Fence
125	YSMS210B-125	84416	Screw
126	YSMS210B-126	84417	Spring Washers
127	YSMS210B-127	84418	Hex Screw
128	YSMS210B-128	84419	Rubber Ring
129	YSMS210B-129	84420	Guide Bar
130	YSMS210B-130	84421	Slide End Cap
131	YSMS210B-131	84422	Clamp Screw Knob
132	YSMS210B-132	84423	Knob
133	YSMS210B-133	84424	Clamp Arm
134	YSMS210B-134	84425	Support Pole
135	YSMS210B-135	84426	Clamp
136	YSMS210B-136	84427	Capacitor
137	YSMS210B-137	84429	Transformer
138	YSMS210B-138	84432	Laser Switch
139	YSMS210B-139	84433	Cord Clip
140	YSMS210B-140	84435	Laser Holder
141	YSMS210B-141	84436	Socket Screw
142	YSMS210B-142	84440	Nut

Helpline: (023) 8049 4344. Sales Desk: (023) 8049 4333. General Enquiries: (023) 8026 6355.

DRAPER TOOLS LTD, HURSLEY ROAD, CHANDLER'S FORD, EASTLEIGH, HANTS. SO53 1YF. U.K website: drapertools.com e-mail: sales@drapertools.com

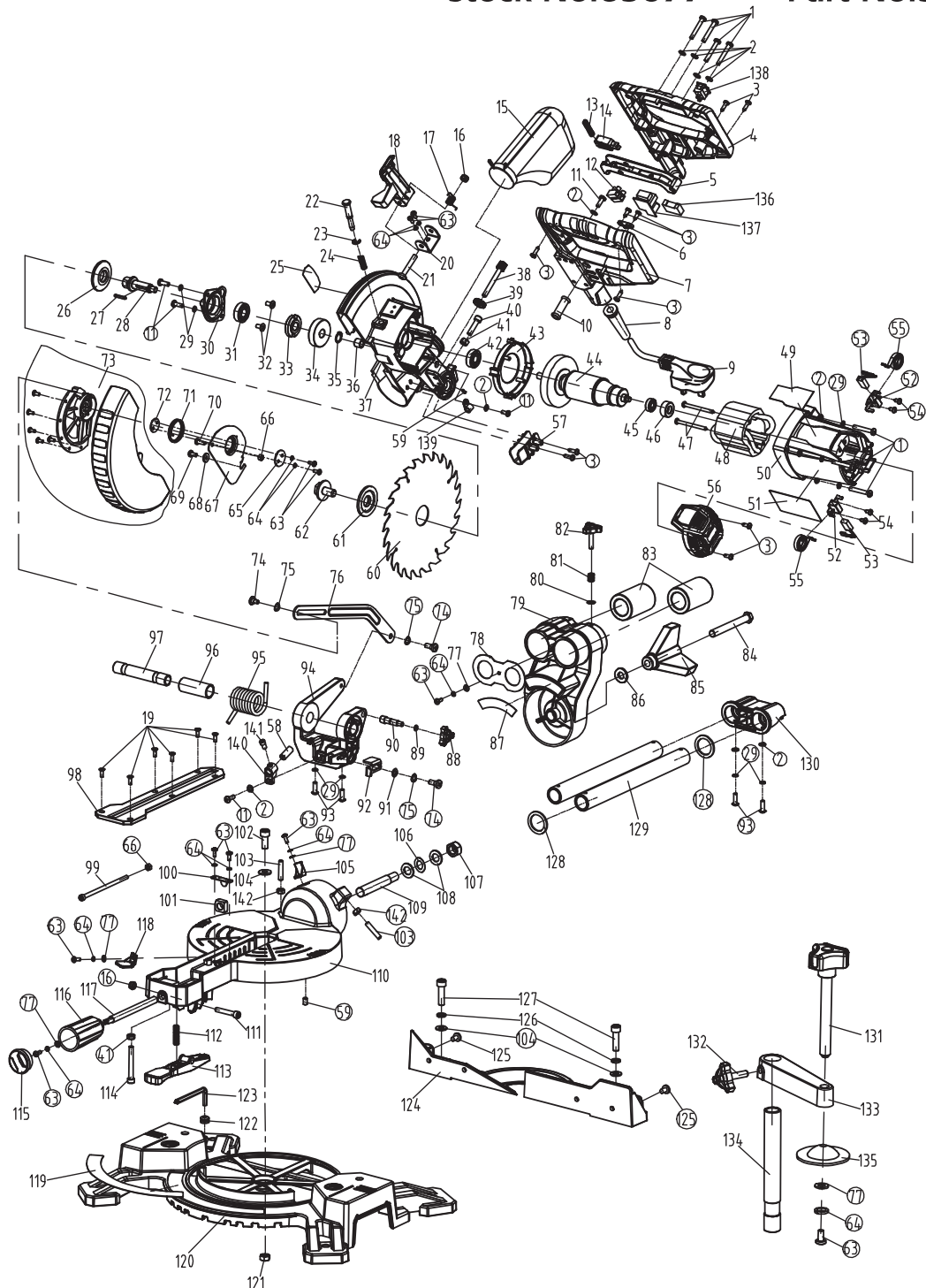


SPARE PARTS DRAWING SHEET FOR

210mm Sliding Compound Mitre Saw

Stock No.83677

Part No.SMS210B



Helpline: (023) 8049 4344. Sales Desk: (023) 8049 4333. General Enquiries: (023) 8026 6355.

DRAPER TOOLS LTD, HURSLEY ROAD, CHANDLER'S FORD, EASTLEIGH, HANTS. SO53 1YF. U.K website: drapertools.com e-mail: sales@drapertools.com