



INSTRUCTIONS FOR

TROLLEY JACK 3TONNE SUPER ROCKET LIFT

MODEL NO: **3015CXD.V2**

Thank you for purchasing a Sealey product. Manufactured to a high standard, this product will, if used according to these instructions, and properly maintained, give you years of trouble free performance.

IMPORTANT: PLEASE READ THESE INSTRUCTIONS CAREFULLY. NOTE THE SAFE OPERATIONAL REQUIREMENTS, WARNINGS & CAUTIONS. USE THE PRODUCT CORRECTLY AND WITH CARE FOR THE PURPOSE FOR WHICH IT IS INTENDED. FAILURE TO DO SO MAY CAUSE DAMAGE AND/OR PERSONAL INJURY AND WILL INVALIDATE THE WARRANTY. KEEP THESE INSTRUCTIONS SAFE FOR FUTURE USE.



Refer to instruction manual



Wear safety footwear

1. SAFETY

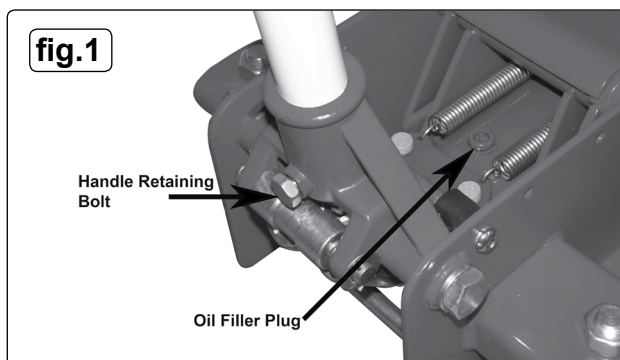
- ✓ Ensure the jack is in sound condition and good working order. Take action for immediate repair or replacement of damaged parts. Use genuine parts only. The use of improper parts may be dangerous and will invalidate the warranty.
- ✓ Locate the jack in a suitable, well lit working area. Keep working area clean and tidy and free from unrelated materials.
- ✓ Use jack on level/solid ground, preferably concrete. Avoid tarmac/adam as jack may sink in.
- ✓ Place wedges under wheels of vehicle, but ensure the jack wheels are free to move and that there are no obstructions.
- ✓ Ensure the vehicle handbrake is engaged, engine is switched off and transmission is in gear (or "PARK" if automatic).
- ✓ Ensure minimum distance of 0.5m between vehicle and static objects such as doors, walls, etc., to allow for vehicle tilting.
- ✓ Ensure there are no passengers in the vehicle and that all non-essential persons keep a safe distance whilst the jack is in use.
- ✓ Place jack under lifting points recommended by vehicle manufacturer (see vehicle hand book). Ensure lifting point is stable and centred on saddle.
- ▲ **DANGER:** Use the jack for lifting only, **NOT** for supporting the lifted load.
- ✓ Use suitable capacity axle stands under the vehicle before proceeding with any task.
- ✓ Ensure there are no persons or obstructions beneath the vehicle before lowering.
- ✗ **DO NOT** operate the jack if damaged.
- ✗ **DO NOT** work under the vehicle until axle stands have been correctly positioned.
- ✗ **DO NOT** exceed the rated capacity of the jack (3tonne/3000kg). When lifting a load of maximum capacity or close to it, it is recommended that the effort be reduced by the use of assistance during this operation.
- ✗ **DO NOT** adjust the safety overload valve.
- ✗ **DO NOT** jack vehicle if there is a risk of spillage of fuel, battery acid, or other dangerous substances.
- ✗ **DO NOT** allow the vehicle to move while supported by the jack, or use the jack to move the vehicle.
- ✗ **DO NOT** top up hydraulic system with brake fluid. Use hydraulic jack oil only and use a qualified person to maintain jack hydraulic system.
- ✗ **DO NOT** allow untrained persons to operate the jack.
- ✗ **DO NOT** use jack for purposes other than which it is designed.
- ✗ **DO NOT** allow persons to ride on the jack.
- ✓ When not in use store jack, fully lowered, in a safe, dry, childproof area.

2. SPECIFICATION

Model no: 3015CXD.V2
 Minimum saddle height: 132mm
 Maximum saddle height: 472mm
 Minimum chassis height: 158mm
 Length: 620mm
 Weight: 31kg

3. ASSEMBLY

- 3.1. Assemble the two-piece handle, using the bolt provided.
- 3.2. Insert the handle into the socket, taking care to ensure that the square indentation at the base of the handle fits correctly over the square head of the central release shaft.
- 3.3. Secure the handle using the bolt provided (see fig.1). Do not over-tighten.



4. BEFORE USE

- 4.1. **Check the oil level.**
 - 4.1.1. Ensure the jack is resting on level ground and that the ram is fully retracted. Open the release valve by turning the handle anticlockwise.
 - 4.1.2. Remove the cover plate by unscrewing the four screws.
 - 4.1.3. Remove the filler plug with an 8mm hex key (see fig.1) The oil level should be level with the bottom of the hole.
 - 4.1.4. If necessary, top up with hydraulic oil. Use only Sealey hydraulic jack oil (see your authorised Sealey stockist). Refit filler plug.

- 4.1.5. Pump the handle 20-30 times to purge the hydraulic system.
- 4.1.6. Close the release valve by turning the handle clockwise.
- 4.1.7. Remove the filler plug before pumping the jack up to its full height. Now reinstall the filler plug and replace the cover plate.

5. OPERATION

- 5.1. **Lifting**
 - 5.1.1. When raising a vehicle, be sure to set the parking brake and chock the wheels. Perform jacking operations only on solid ground (eg: concrete), free from spillages and debris.
 - 5.1.2. Position the lifting saddle of the jack under the desired lifting point (check vehicle manufacturer's recommendations).
 - 5.1.3. The Super Rocket Lift will raise the saddle rapidly to the vehicle lifting point with the minimum of handle strokes.
- 5.2. **Lowering**
 - 5.2.1. Before lowering the jack, be sure that the area beneath the vehicle is clear of any persons/obstructions.
 - 5.2.2. SLOWLY open the release valve by turning the handle anticlockwise. When the lifting arm is in its lowest position, remove the jack from under the vehicle.

6. MAINTENANCE

- 6.1. When the jack is not in use, keep the ram fully retracted and the release valve closed.
- 6.2. Clean the jack regularly and oil/grease all pivoting sections every 3 months (more often if using jack in extremely dry/dusty conditions).
- 6.3. Check the oil level frequently (see section 4.1).
- 6.4. Check the piston and piston rod periodically for signs of rust/corrosion.
- 6.5. Should you suspect the jack to be damaged or in any way unsafe, remove from service immediately and contact your authorised Sealey dealer for advice and repairs.
- 6.6. At the end of the jack's serviceable life, drain the oil from it and dispose of according to local authority guidelines.

7. TROUBLESHOOTING

PROBLEM	POSSIBLE CAUSE	REMEDY
Jack will not lift the load	<ul style="list-style-type: none"> 1) Overloaded 2) Oil level low 3) Release valve not correctly closed 4) Air in system 5) Piston rod not functioning 6) Packing worn or defective 	<ul style="list-style-type: none"> 1) Be sure to use jack with adequate capacity 2) Top up oil level 3) Check and close release valve 4) Open release valve and pump the handle a few times. Close valve and re-try 5) Clean and replace oil 6) Replace packing
Jack does not lift high enough or feels "spongy"	<ul style="list-style-type: none"> 1) Oil level too high or too low 2) Worn seals 3) Air in system 4) Release valve not closed 	<ul style="list-style-type: none"> 1) Fill or remove excess oil 2) Return jack to local service agent 3) Open release valve and pump the handle a few times. Close valve and re-try 4) Check and close release valve
Jack lifts poorly	<ul style="list-style-type: none"> 1) Pump packing or valves malfunctioning 2) Oil is dirty 3) Air in the system 	<ul style="list-style-type: none"> 1) Replace packing and/or clean valves 2) Replace oil 3) Open release valve and pump the handle a few times. Close valve and re-try
Jack lifts but will not hold load	<ul style="list-style-type: none"> 1) Release valve partially open 2) Dirt on valve seats 3) Air in system 4) Faulty seals 5) Packing worn or defective 	<ul style="list-style-type: none"> 1) Check and close release valve 2) Lower jack, close release valve. Place foot on front wheel and pull up lifting arm to it's full height by hand. Open the release valve to lower arm 3) Open release valve and pump the handle a few times. Close valve and re-try 4) Replace packing or contact local service agent 5) Replace packing
Jack will not lower completely	<ul style="list-style-type: none"> 1) Unit requires lubrication 2) Piston rod bent or damaged 3) Jack frame/link system distorted due to overloading/poor positioning 4) Air in system 5) Release valve partially closed 6) Jack spring damaged or unhooked. 	<ul style="list-style-type: none"> 1) Oil all external moving parts 2) Replace rod or contact local service agent 3) Replace damaged parts or contact local service agent 4) Open release valve and pump the handle a few times. Close valve and re-try 5) Check and fully open release valve 6) Replace spring or contact local service agent
Jack does not lower at all	<ul style="list-style-type: none"> 1) Release valve closed 	<ul style="list-style-type: none"> 1) Check and fully open release valve



Environmental Protection

Recycle unwanted materials instead of disposing of them as waste. All tools, accessories and packaging should be sorted, taken to a recycling centre and disposed of in a manner which is compatible with the environment. When the product becomes completely unserviceable and requires disposal, drain off any fluids (if applicable) into approved containers and dispose of the product and the fluids according to local regulations.

NOTE: It is our policy to continually improve products and as such we reserve the right to alter data, specifications and component parts without prior notice.

IMPORTANT: No liability is accepted for incorrect use of this product.

WARRANTY: Guarantee is 12 months from purchase date, proof of which will be required for any claim.



Sole UK Distributor, Sealey Group.
Kempson Way, Suffolk Business Park,
Bury St. Edmunds, Suffolk.
IP32 7AR



01284 757500



01284 703534



www.sealey.co.uk



sales@sealey.co.uk