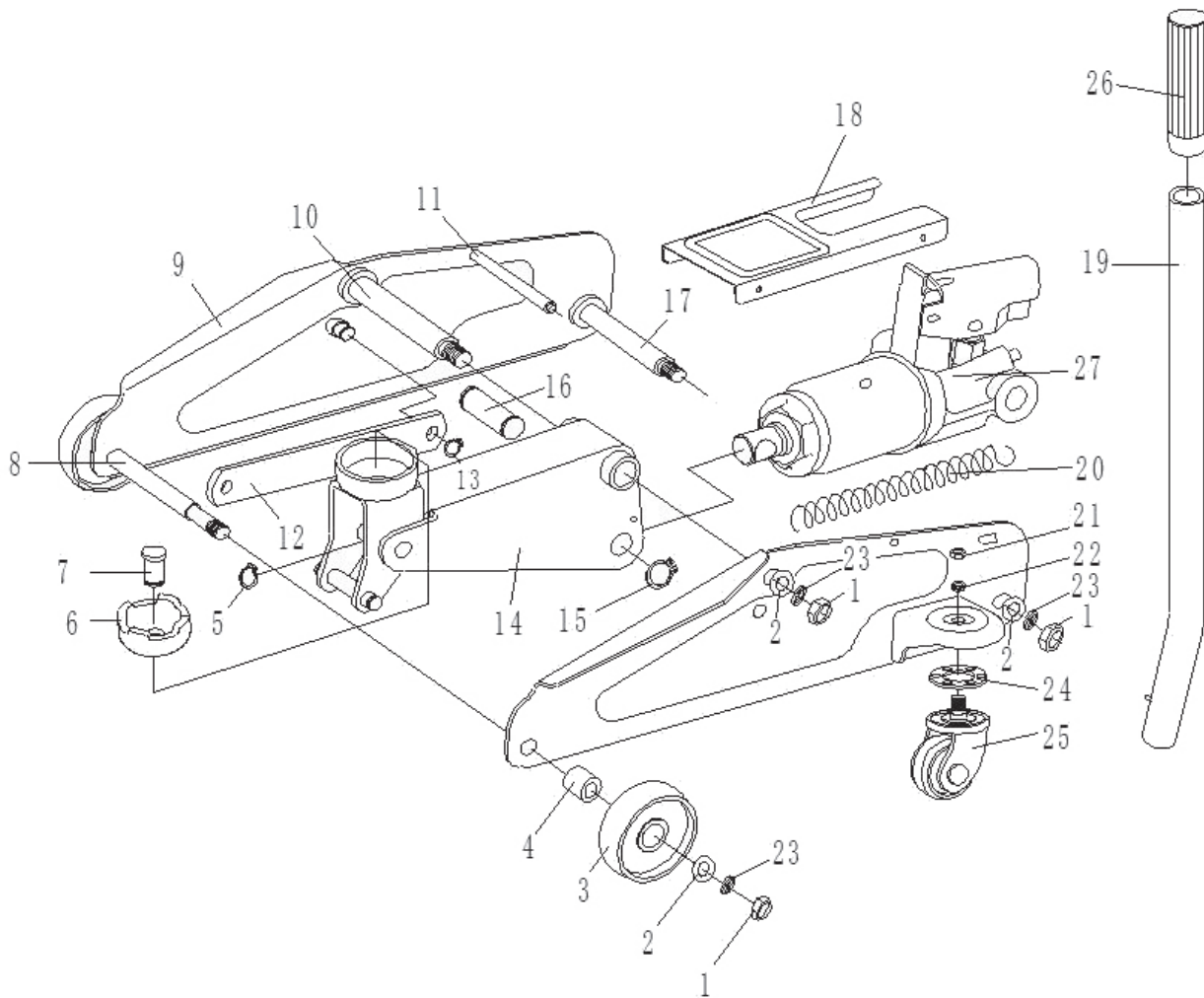


Parts Information:  
**Trolley Jack 2.25tonne High Lift Super  
 Rocket Lift**  
**Model No: 1025HL.V3**



Item	Part No.	Description
1	SN16.S	STEEL NUT M16 ZINC DIN934(SINGLE)
2	FWM16.S	FLAT WASHER M16 SINGLE
3	1025HL.V2-03	FRONT WHEEL
4	1025HL.V2-04	BUSHING
5	1025HL.V2-05	C-RING S13
6	1025HL.V2-06	SADDLE
7	1025HL.V2-07	SADDLE PIN
8	1025HL.V2-08	FRONT WHEEL AXLE
9	1025HL.V2-09	SIDE FRAME
10	1025HL.V2-10	LIFTING ARM PIN
11	1025HL.V2-11	SIDE FRAME AXLE
12	1025HL.V3-12	LINK ROD 'BLACK'
13	1025HL.V2-13	C-RING S10
14	1025HL.V2-14	LIFTING ARM

Item	Part No.	Description
15	1025HL.V2-15	C-RING S22
16	1025HL.V2-16	LINK PIN
17	1025HL.V2-17	SPINDLE
18	1025HL.V3-18	COVER PLATE 'BLACK'
19	1025HL.V2-19	HANDLE
20	1025HL.V2-20	RETURN SPRING
21	SN10.S	STEEL NUT M10 ZINC DIN934(SINGLE)
22	SWM10.S	SPRING WASHER M10 ZINC (SINGLE)
23	SWM16.S	SPRING WASHER M16 ZINC (SINGLE)
24	1025HL.V2-24	BEARING RACE
25	1025HL.V2-25	CASTOR WHEEL ASS'Y
26	1025HL.V2-26	HANDLE GRIP
27	1025HL.V3-27	PUMP UNIT (c/w HANDLE SOCKET)

**NOTE:** It is our policy to continually improve products and as such we reserve the right to alter data, specifications and component parts without prior notice.

**IMPORTANT:** No liability is accepted for incorrect use of product.

**WARRANTY:** Guarantee is 12 months from purchase date, proof of which will be required for any claim.