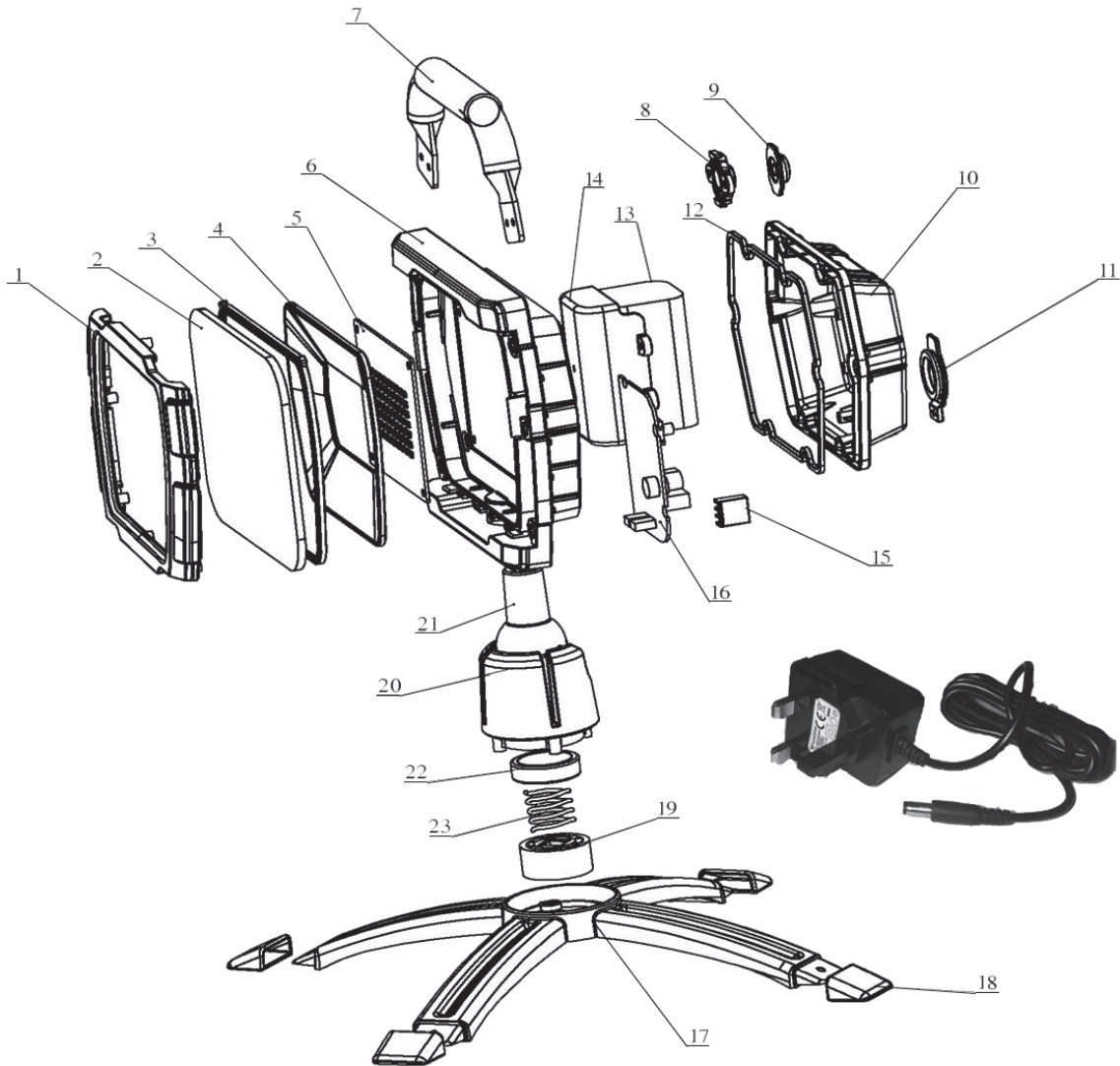




Parts Information:
**Rechargeable 360° Floodlight 36W SMD
 LED Portable Green Lithium-ion
 Model No: LED360FG**



Item	Part No.	Description
1	LED360FG.01	FRONT HOUSING 'GREEN'
2	LED360FR.02	FRONT LENS
3	LED360FR.03	SEALING GASKET
4	LED360FR.04	PLASTIC REFLECTOR
5	LED360FR.05	72LED PCB
6	LED360FR.06	MAIN HOUSING
7	LED360FR.07	HANDLE (TOP)
8	LED360FR.08	SWITCH BASE
9	LED360FR.09	SWITCH CAP
10	LED360FR.10	BACK HOUSING
11	LED360FR.11	CHARGING SOCKET COVER
12	LED360FR.12	SEAL RING FOR BACK COVER

Item	Part No.	Description
13	LED360FR.13	BATTERY 7.4V 4400mAh
14	LED360FR.14	BATTERY COVER
15	LED360FR.15	PCB SUPPORT
16	LED360FR.16	PCB
17	LED360FR.17	'X' STAND
18	LED360FR.18	RUBBER FOOT
19	LED360FR.19	LOWER BALL SUPPORT
20	LED360FR.20	ROTATING SUPPORT
21	LED360FR.21	PIVOT
22	LED360FR.22	UPPER BALL SUPPORT
23	LED360FR.23	WAVE SPRING
24	LED360FR.24	MAIN CHARGER 12V 1.0A

NOTE: It is our policy to continually improve products and as such we reserve the right to alter data, specifications and component parts without prior notice.

IMPORTANT: No liability is accepted for incorrect use of product.

WARRANTY: Guarantee is 12 months from purchase date, proof of which will be required for any claim.

Sealey Group, Kempson Way, Suffolk Business Park, Bury St Edmunds, Suffolk. IP32 7AR



01284 757500



01284 703534



sales@sealey.co.uk



www.sealey.co.uk