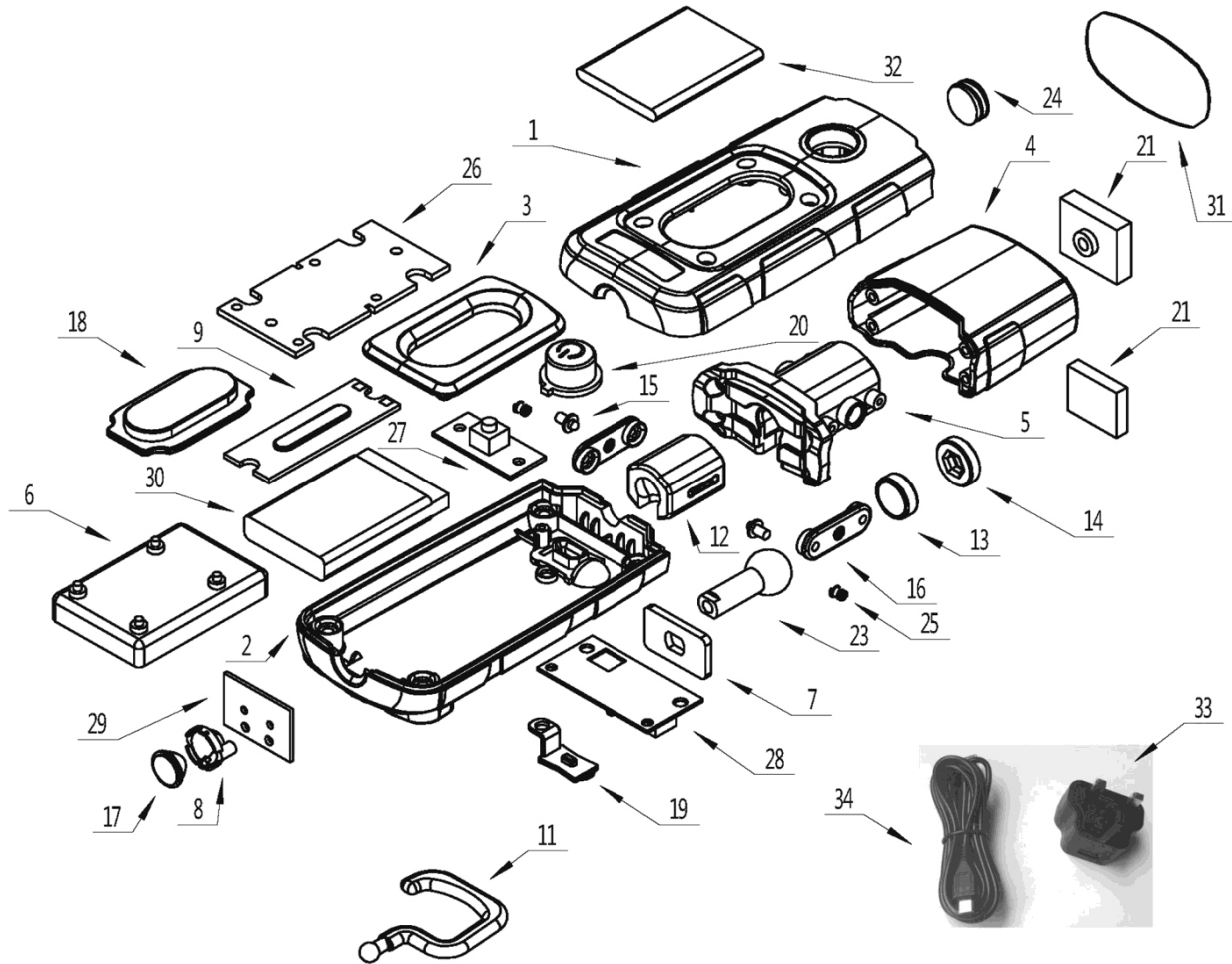


Parts Information:
**Rechargeable 360° Inspection Lamp 2W
 COB + 1W LED Carbon Fibre Effect
 Model No: LED3601CF**



| Item | Part No. | Description |
|------|--------------|-------------------------------------|
| 1 | LED3601CF.01 | FRONT HOUSING (CARBON FIBRE EFFECT) |
| 2 | LED3601CF.02 | BACK HOUSING (CARBON FIBRE EFFECT) |
| 3 | LED3601.03 | PLASTIC LAMP SURROUND (SILVER) |
| 4 | LED3601CF.04 | HANDLE (CARBON FIBRE EFFECT) |
| 5 | LED3601.05 | ROTATING SUPPORT (LARGE) |
| 6 | LED3601.06 | BATTERY HOUSING |
| 7 | LED3601.07 | PIVOT PLATE |
| 8 | LED3601.08 | HEAD LED COVER |
| 9 | LED3601.09 | 2W COB LED |
| 11 | LED3601.11 | HOOK |
| 12 | LED3601.12 | ROTATING SUPPORT (SMALL) |
| 13 | LED3601.13 | PIVOT PROTECTION RING |
| 14 | LED3601.14 | PIVOT PROTECTION RING |
| 15 | LED3601.15 | ROTATING SUPPORT PIN |
| 16 | LED3601.16 | ROTATING SUPPORT BAR |
| 17 | LED3601.17 | HEAD LED LENS |

| Item | Part No. | Description |
|------|-------------|---------------------------|
| 18 | LED3601.18 | FRONT LENS |
| 19 | LED3601.19 | CHARGING SOCKET COVER |
| 20 | LED3601.20 | SWITCH CAP |
| 21 | LED3601.21 | MAGNET HOUSING C/W MAGNET |
| 23 | LED3601.23 | PIVOT |
| 24 | LED3601.24 | WAVE SPRING |
| 25 | LED3601.25 | SPRING |
| 26 | LED3601.26 | BATTERY PLATE |
| 27 | LED3601.27 | SWITCH BUTTON |
| 28 | LED3601.28 | PCB |
| 29 | LED3601.29 | HEAD LED PCB |
| 30 | LED3601.30 | BATTERY |
| 31 | LED3601.31 | STICKER (BOTTOM) |
| 32 | LED3601.32 | BATTERY PROTECTION FOAM |
| 33 | LED360USB.C | USB MAINS CHARGER ONLY |
| 34 | LED3602G.41 | MICRO USB WITH 5PIN CABLE |

NOTE: It is our policy to continually improve products and as such we reserve the right to alter data, specifications and component parts without prior notice.

IMPORTANT: No liability is accepted for incorrect use of product.

WARRANTY: Guarantee is 12 months from purchase date, proof of which will be required for any claim.