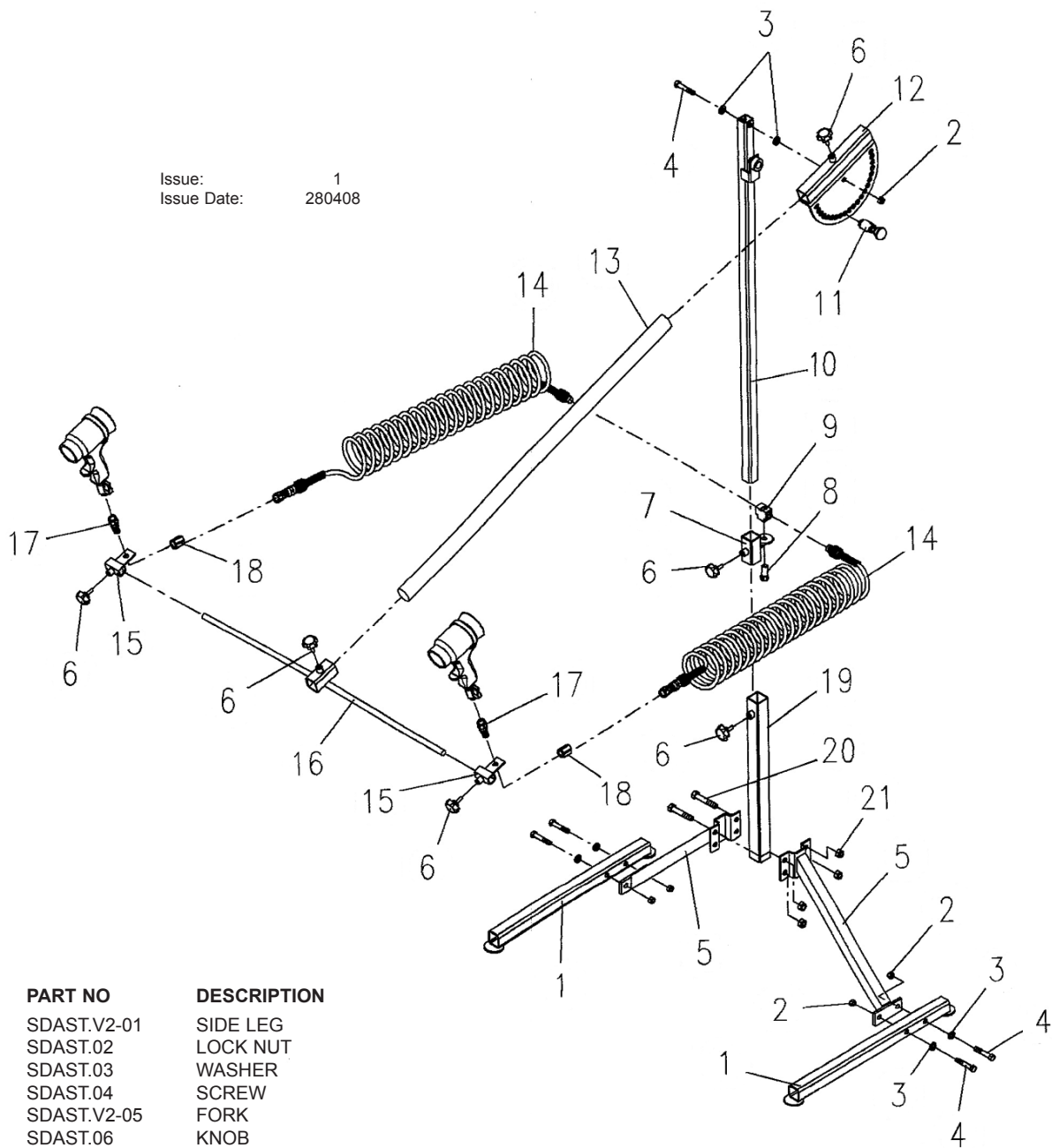


Issue: 1
 Issue Date: 280408



ITEM	PART NO	DESCRIPTION
1	SDAST.V2-01	SIDE LEG
2	SDAST.02	LOCK NUT
3	SDAST.03	WASHER
4	SDAST.04	SCREW
5	SDAST.V2-05	FORK
6	SDAST.06	KNOB
7	SDAST.07	SET TUBE
8	SDAST.08	JOINT
9	SDAST.09	JOINT CONNECTOR
10	SDAST.10	UPRIGHT FRAME
11	SDAST.11	LOCK PIN
12	SDAST.V2-12	ADJUSTABLE ANGLE BRACKET
13	SDAST.V2-13	EXTENSION TUBE
14	SDAST.V2-14	AIR HOSE
15	SDAST.15	ADJUSTABLE BRACKET
16	SDAST.V2-16	ADJUSTABLE SHAFT
17	SDAST.17	JOINT
18	SDAST.18	JOINT
19	SDAST.V2-19	BOTTOM SUPPORT
20	SDAST.V2-20	SCREW (3/8" x 5/8")
21	SDAST.V2-21	NUT 3/8"

NOTE: It is our policy to continually improve products and as such we reserve the right to alter data, specifications and component parts without prior notice.
IMPORTANT: No liability is accepted for incorrect use of product.
WARRANTY: Guarantee is 12 months from purchase date, proof of which will be required for any claim.
INFORMATION: For a copy of our latest catalogue and promotions call us on 01284 757525 and leave your full name and address, including postcode.