



INSTRUCTIONS FOR

# WHEEL STORAGE TROLLEY 100KG CAPACITY

MODEL NO: **STR004.V3**

Thank you for purchasing a Sealey product. Manufactured to a high standard, this product will, if used according to these instructions, and properly maintained, give you years of trouble free performance.

**IMPORTANT:** PLEASE READ THESE INSTRUCTIONS CAREFULLY. NOTE THE SAFE OPERATIONAL REQUIREMENTS, WARNINGS & CAUTIONS. USE THE PRODUCT CORRECTLY AND WITH CARE FOR THE PURPOSE FOR WHICH IT IS INTENDED. FAILURE TO DO SO MAY CAUSE DAMAGE AND/OR PERSONAL INJURY AND WILL INVALIDATE THE WARRANTY. KEEP THESE INSTRUCTIONS SAFE FOR FUTURE USE.



Refer to instruction manual

## 1. SAFETY

- WARNING!** Use wheel storage rack on level and solid ground, preferably concrete. Ensure the floor over which the wheel storage rack will be transported is swept clean.
- WARNING!** DO NOT use on tarmac or any other soft surface as the wheel storage rack may sink or topple.
- WARNING!** If a loaded wheel storage rack tips or leans STOP WHAT YOU ARE DOING. MOVE QUICKLY TO A SAFE DISTANCE. DO NOT TRY TO HOLD OR STEADY WHEEL STORAGE RACK.
- ✓ Use wheel storage rack in a suitable work area, keep area clean and tidy and free from unrelated materials. Ensure there is adequate lighting.
- ✓ Before use, ensure that the size and weight of the wheels is known. **DO NOT** exceed the capacity of the wheel storage rack.
- ✓ Maintain correct balance and footing when loading or moving the wheel storage rack. Ensure the floor is not slippery and wear non-slip footwear.
- ✓ Observe correct manual handling techniques when loading wheels on to the wheel storage rack. If in any doubt, obtain assistance.
- ✓ Apply castor wheel brakes when wheel storage rack is stationary.
- WARNING! DO NOT** use wheel storage rack if any parts are damaged or missing.
- ✗ **DO NOT** allow untrained persons to use the wheel storage rack.
- ✗ **DO NOT** get wheel storage rack wet or use in damp or wet locations or areas where there is condensation.
- ✗ **DO NOT** use the wheel storage rack when you are tired or under the influence of alcohol, drugs or intoxicating medication.
- ✗ **DO NOT** use wheel storage rack for any purpose other than that for which it is designed.
- ✓ Before storing in safe area, ensure all parts are clean, free of grease and oil.
- WARNING:** The warnings, cautions and instructions discussed in this instruction manual cannot cover all possible conditions and situations that may occur. It must be understood that common sense and caution are factors which cannot be built into this product, but must be applied by the operator.

## 2. INTRODUCTION

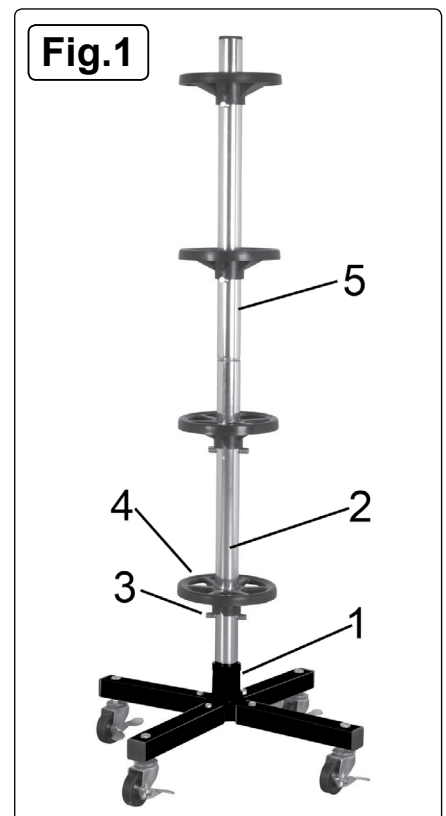
Completely free standing wheel storage rack for all types of car wheels with rim size up to 225mm. Easy to assemble. The rack has 4 locking castors for easy manoeuvring around the garage. Eliminates tyre distortion due to loss of tyre pressure. Supplied with rim protecting supports.

## 3. SPECIFICATION

Model no: ..... **STR004.V3**  
 Overall size (W x D x H):..... 460 x 460 x 1160mm  
 Wheel capacity:..... 4  
 Maximum rim size: ..... 225mm  
 Maximum weight capacity: ..... 100kg (25kg per level)

## 4. ASSEMBLY

- WARNING!** Ensure that you read, understand and apply Section 1 safety instructions.
- 4.1. Fit the 4 extension legs onto the central linking piece, see fig.1.1, (if necessary use a rubber hammer).
  - 4.2. Secure with the set screws provided and fit the end stoppers.
  - 4.3. Fit castors and apply their brakes until assembly is complete.
  - 4.4. Insert the central tube without the end stopper, see fig.1.2, into the central linking piece.
  - 4.5. Put a pin through the lowest hole fig.1.3 and place a protective support on top, see fig.1.4.
  - 4.6. Place the first wheel onto the rack and repeat the procedure for the next wheel.
  - 4.7. Insert the central tube with the stopper fig.1.5 and continue as above until all the wheels are safely stored.



## 5. OPERATION

- ❑ **WARNING! If only loading only one or two wheels DO NOT load them on the upper section. This will affect the stability of the rack and may cause damage and/or injury.**
- 5.1. Make sure path to the storage location is level, clear and free from debris.
  - 5.2. Release brakes on all four wheels and reapply brakes once rack is in its desired location.
  - 5.3. When not in use, store assembled in a safe, dry, childproof location.

## 6. MAINTENANCE

- 6.1. Keep the rack clean.
- 6.2. Periodically oil the castors.



Parts support is available for this product. To obtain a parts listing and/or diagram, please log on to [www.sealey.co.uk](http://www.sealey.co.uk), email [sales@sealey.co.uk](mailto:sales@sealey.co.uk) or telephone 01284 757500.



**Environmental Protection**  
Recycle unwanted materials instead of disposing of them as waste. All tools, accessories and packaging should be sorted, taken to a recycling centre and disposed of in a manner which is compatible with the environment. When the product becomes completely unserviceable and requires disposal, drain off any fluids (if applicable) into approved containers and dispose of the product and the fluids according to local regulations.

**NOTE:** It is our policy to continually improve products and as such we reserve the right to alter data, specifications and component parts without prior notice.  
**IMPORTANT:** No liability is accepted for incorrect use of this product.

**WARRANTY:** Guarantee is 12 months from purchase date, proof of which will be required for any claim.



Sole UK Distributor, Sealey Group.  
Kempson Way, Suffolk Business Park,  
Bury St. Edmunds, Suffolk.  
IP32 7AR



01284 757500



01284 703534



[www.sealey.co.uk](http://www.sealey.co.uk)



[sales@sealey.co.uk](mailto:sales@sealey.co.uk)