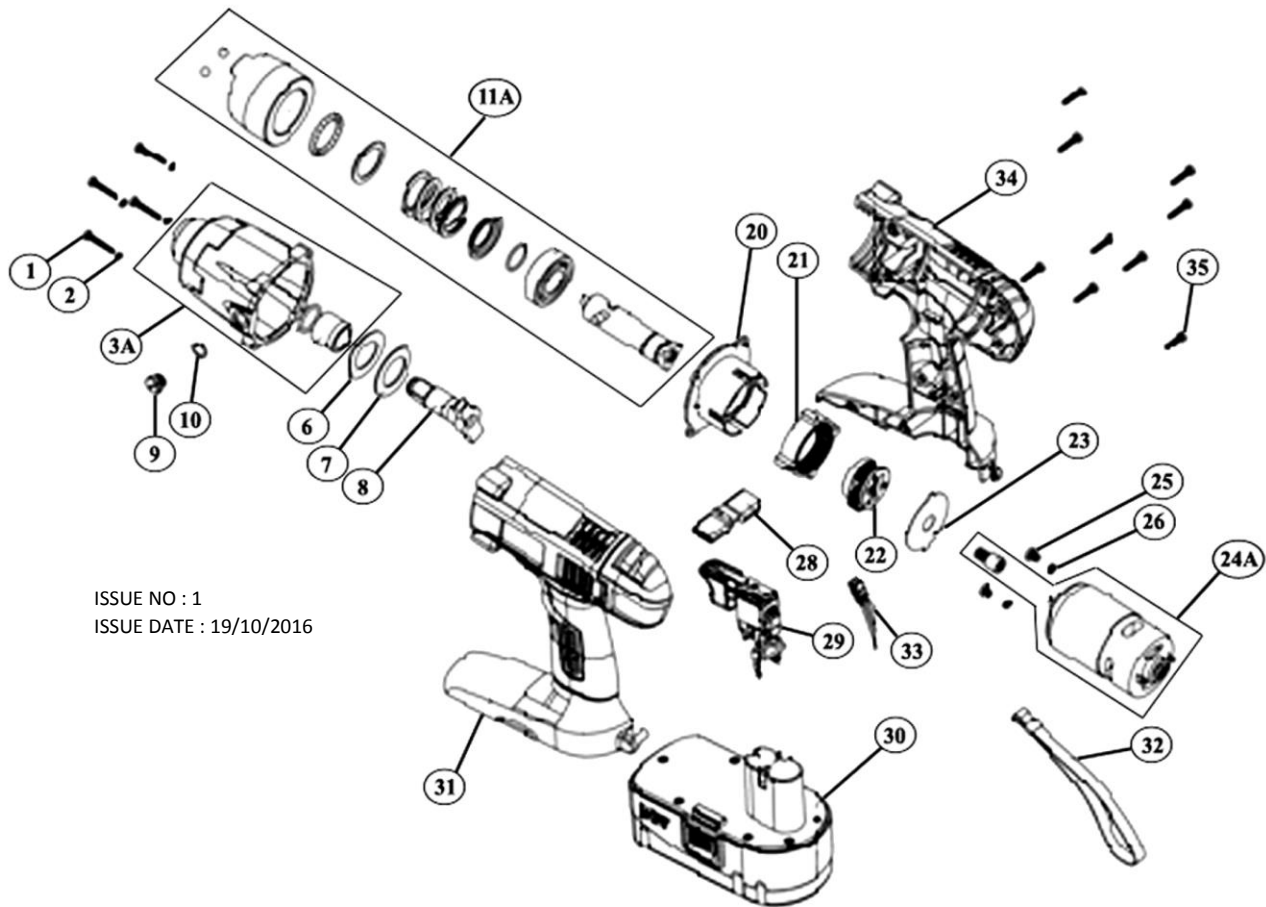


SEALEY

PARTS FOR :

CORDLESS IMPACT WRENCH 24V 2Ah Ni-MH
½" Sq DRIVE 410lb.ft

MODELS: **CP2450MH**



ISSUE NO : 1
ISSUE DATE : 19/10/2016

ITEM	PART NO	DESCRIPTION	ITEM	PART NO	DESCRIPTION
1	CP2450.01	SCREW	24A	CP2450.24A	MOTOR ASS'Y
2	CP2450.02	SPRING WASHER	25	CP2450.25	SCREW
3A	CP2450.03A	FRONT CASING ASS'Y	26	CP2450.26	M5 BLACK SPRING WASHER
6	CP2450.06	RUBBER WASHER	28	CP2450.28	FORWARD/REVERSE ROD
7	CP2450.07	SHIM	29	CP2450.V2-29	VARIABLE SPEED SWITCH (LIWG-240V)
8	CP2450.08	FRONT IMPACT ASS'Y	30	CP2450BPMH	C/LESS POWER TOOL BATTERY 24V 2Ah Ni-MH
9	CP2450.09	SCREW	31	CP2450MH.31	CASING, LEFT SIDE
10	CP2450.10	O-RING	32	CP2450.32	BELT
11A	CP2450.11A	REAR IMPACT ASS'Y	33	CP2450.33	TEMPER SWITCH
20	CP2450.20	GEARBOX	34	CP2450MH.34	CASING, RIGHT SIDE
21	CP2450.21	GEAR RING	35	CP2450.35	SCREW
22	CP2450.22	PLANETARY GEARS		CP2400MH.C	CHARGER FOR Ni-MH BATTERY (not shown)
23	CP2450.23	WASHER			

SEALEY

Sole UK Distributor, Sealey Group.
Kempson Way, Suffolk Business Park,
Bury St. Edmunds, Suffolk.
IP32 7AR

01284 757500

01284 703534

 www.sealey.co.uk

 sales@sealey.co.uk