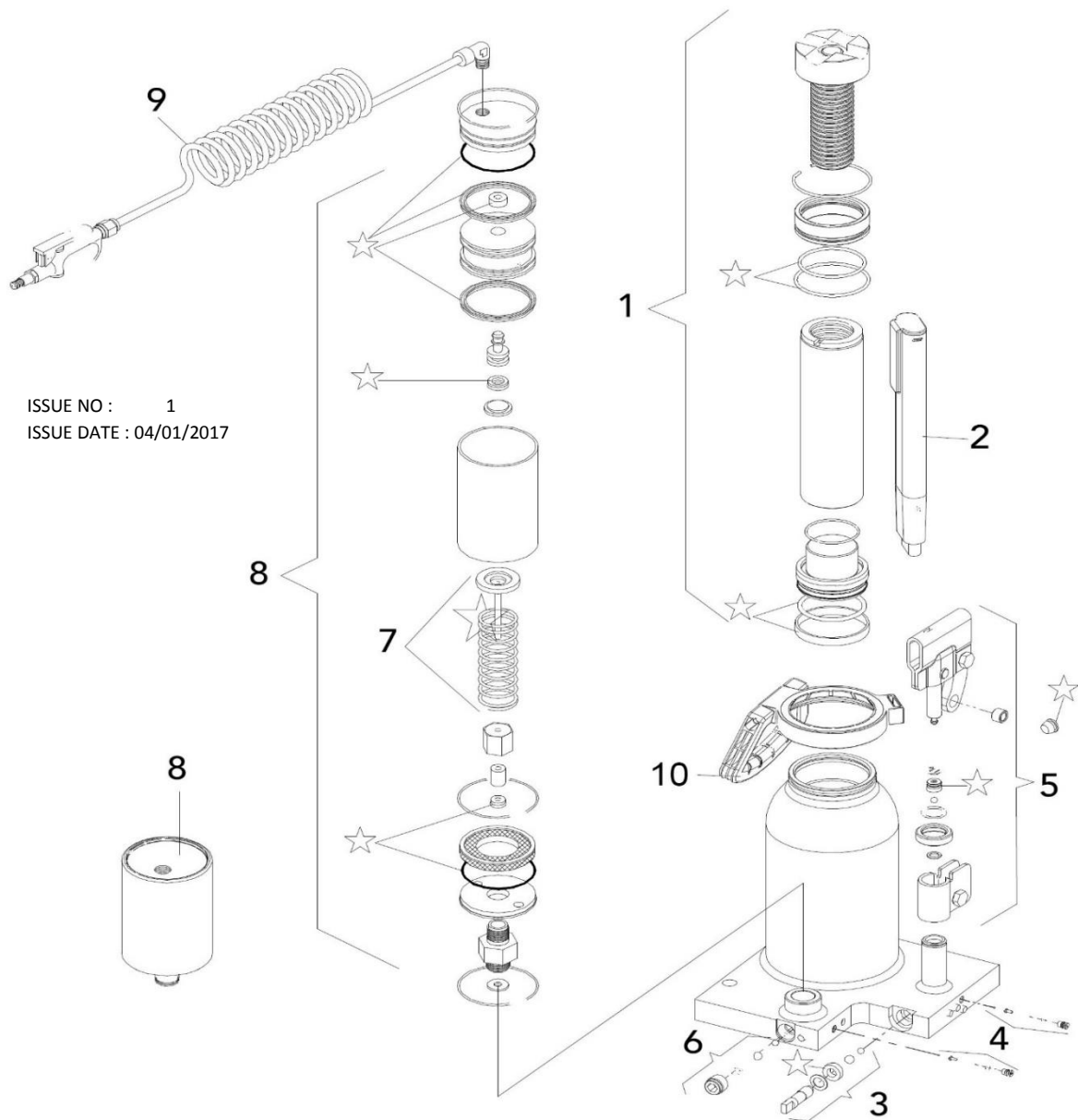




PARTS FOR :
 BOTTLE JACK 20tonne MANUAL/AIR HYDRAULIC
 BOTTLE JACK 30tonne MANUAL/AIR HYDRAULIC
MODELS: AM20.V3 & AM30.V3



ISSUE NO : 1
 ISSUE DATE : 04/01/2017

AM20

AM30

| ITEM | PART NO | PART NO | DESCRIPTION |
|------|-------------|-------------|--------------------------|
| 1 | MGH-20-C14M | MGH-30-C14M | MAIN PISTON |
| 2 | M0218000051 | M0218000051 | HANDLE (RED) |
| 3 | M0212000017 | M0212000017 | RELEASE VALVE ASS'Y |
| 4 | MG-2/C9 | MG-2/C9 | SAFETY VALVE |
| 5 | M0217000056 | M0217000056 | HANDLE SOCKET ASS'Y |
| 6 | BKD-09/C10 | BKD-09/C10 | PLUG ASS'Y |
| 7 | N10-3/C8 | N10-3/C8 | PUMP PISTON (c/w SPRING) |
| 8 | MGH-12/C27 | MGH-12/C27 | COMPLETE AIR MOTOR |
| 9 | MGH-12/C39 | MGH-12/C39 | HOSE ASSEMBLY |
| 10 | M0299000421 | M0299000423 | CARRYING HANDLE (RED) |
| ☆ | RMGH-20 | RMGH-30 | REPAIR KIT |



Sole UK Distributor, Sealey Group.
 Kempson Way, Suffolk Business Park,
 Bury St. Edmunds, Suffolk.
 IP32 7AR

01284 757500
 01284 703534

www.sealey.co.uk
 sales@sealey.co.uk