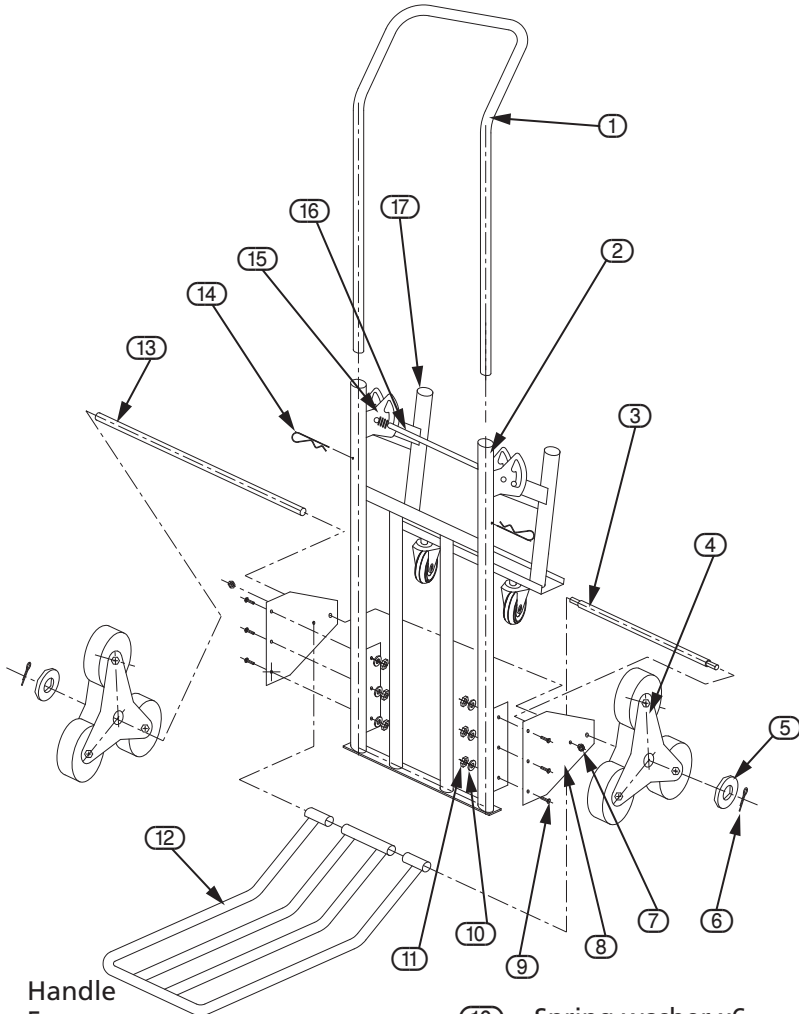


Assembly instructions

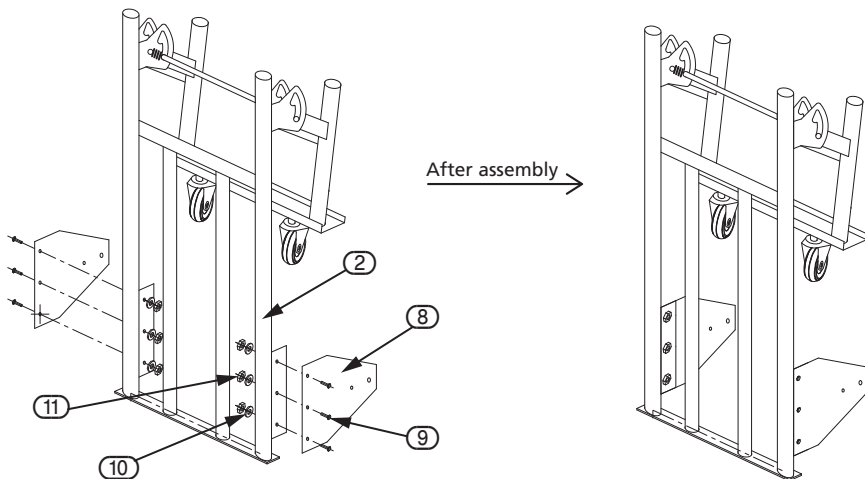


- | | | | |
|---|-----------------------|---|------------------------|
| ① | Handle | ⑩ | Spring washer x6 |
| ② | Frame | ⑪ | Lock nut x6 |
| ③ | Connecting bar | ⑫ | Movable toe plate |
| ④ | Tri-wheel assembly x2 | ⑬ | Axle |
| ⑤ | Big washer x2 | ⑭ | B Cotter pin x2 |
| ⑥ | Cotter pin x2 | ⑮ | Spring |
| ⑦ | Lock nut x2 | ⑯ | Sprung lock bar |
| ⑧ | Axle bracket plate x2 | ⑰ | Platform handle fixing |
| ⑨ | Bolt x6 | | |

ASSEMBLY INSTRUCTIONS

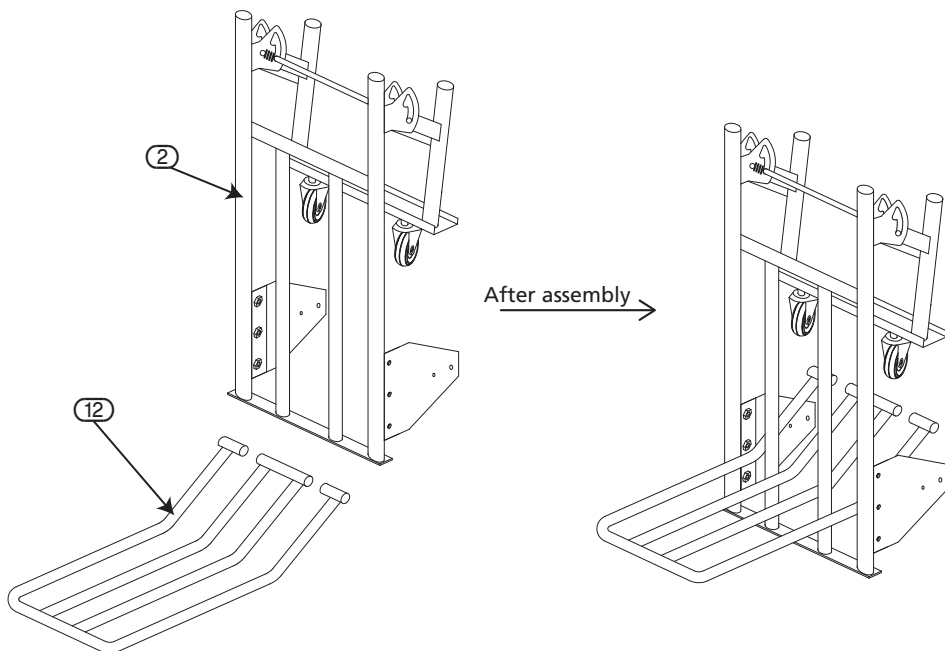
Step 1:

Fix the Axle Bracket Plate (8) onto the Frame (2), using the Bolts (9), Spring Washers (10) and Nuts (11). Do not fully tighten the nut, leave 3mm of moving space for the next step of assembly.



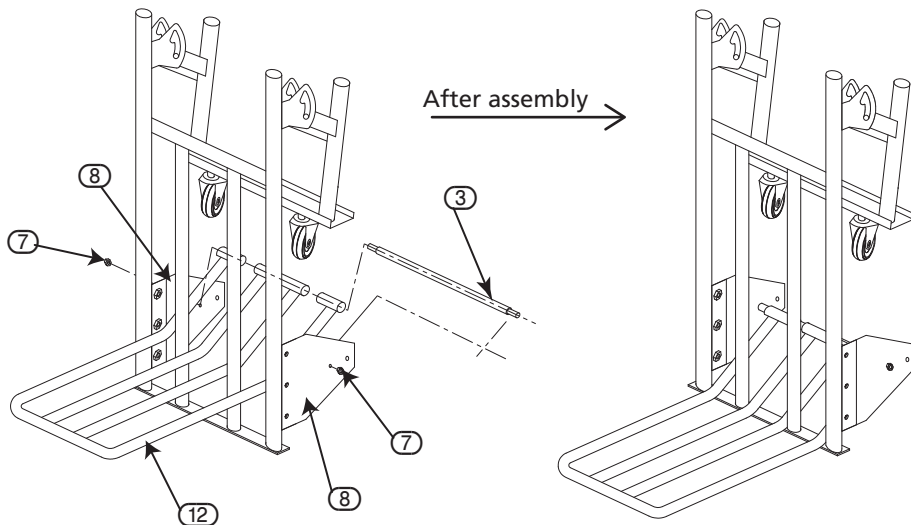
Step 2:

Plug the Movable Toe Plate (12) into the Frame (2) in the way shown below.

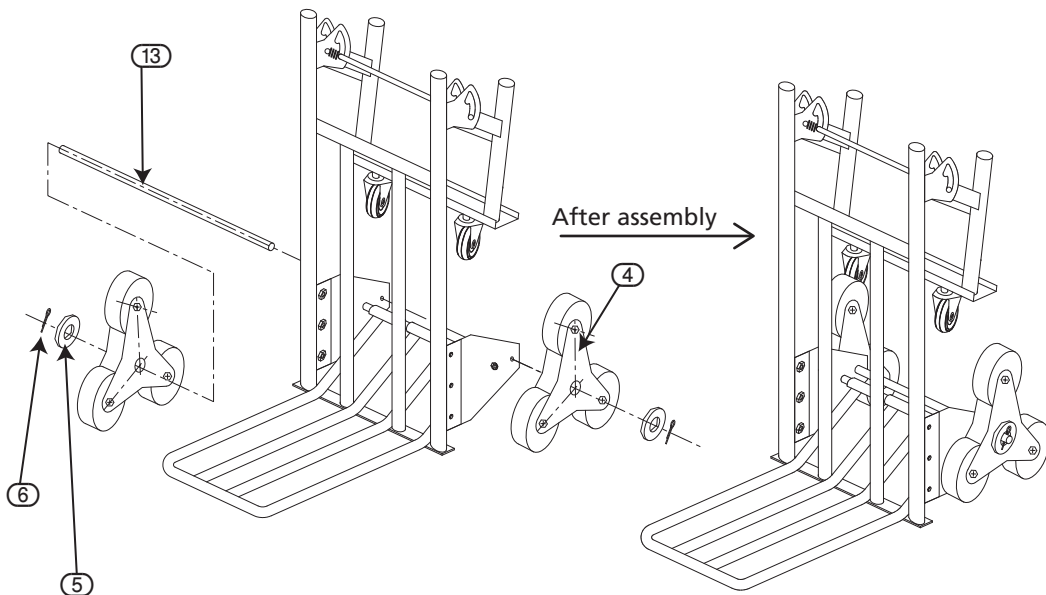


ASSEMBLY INSTRUCTIONS

Step 3:
Slide the Connecting Bar (3) through the Movable Toe Plate (12), and then attach the Axle Plate (8) to the each end of the connecting bar, using both of the Lock Nuts (7). At this step, fully tighten the nut mentioned in the Step 1.



Step 4:
Slide the Axle (13) through two Tri-wheel Assembly (4) as showed below, using both of the Big Washers (5), and both of Cotter Pins (6).

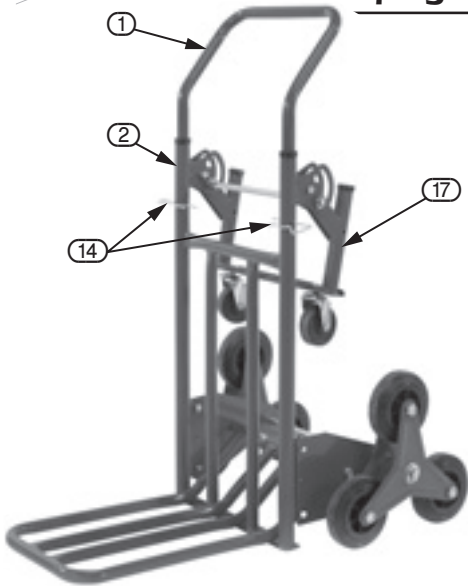


2-In-1 Stair Climber Sack Truck

Stock No.85675

Part No.DST3W

Upright Sack Truck to Platform Truck



Remove the 2 cotter pins (14) and remove the tubular handle section (1), then re-insert it into the corresponding sockets of the folding rear castor wheel section (17). Align the holes in the frames of both sections and insert the 2 cotter pins (14) to lock in place.

Pull back through 90° on the axle of the front triple wheel units so that the rear castors meet the ground and the vertical back rest of the sack truck now forms the horizontal bed of the platform truck.

Release the sprung locking bar (16) to its 2nd position whilst turning the handle through 90°.

The rear castor wheel assembly will be locked in place in the vertical position. The hinged toe-plate of the sack truck (12) forms a back rest and is held upright by goods placed on the platform of the truck.

Perform the above steps in reverse to convert the platform truck back to the sack truck.

