

DRAPER[®]

STORMFORCE

INSTRUCTIONS FOR
**3.6V Cordless
Li-ion Screwdriver Kit**

Stock No.83568 Part No.CD36LIASF

IMPORTANT: PLEASE READ THESE INSTRUCTIONS CAREFULLY TO ENSURE THE SAFE AND EFFECTIVE USE OF THIS PRODUCT.



DRAPER[®]

GENERAL INFORMATION

These instructions accompanying the product are the original instructions. This document is part of the product, keep it for the life of the product passing it on to any subsequent holder of the product. Read all these instructions before assembling, operating or maintaining this product.

This manual has been compiled by Draper Tools describing the purpose for which the product has been designed, and contains all the necessary information to ensure its correct and safe use. By following all the general safety instructions contained in this manual, it will ensure both product and operator safety, together with longer life of the product itself.

All photographs and drawings in this manual are supplied by Draper Tools to help illustrate the operation of the product.

Whilst every effort has been made to ensure the accuracy of information contained in this manual, the Draper Tools policy of continuous improvement determines the right to make modifications without prior warning.

1. TITLE PAGE

1.1 INTRODUCTION:

USER MANUAL FOR:

3.6V CORDLESS LI-ION SCREWDRIVER KIT

Stock no. 83568

Part no. CD36LIASF

1.2 REVISIONS:

Date first published April 2016

As our user manuals are continually updated, users should make sure that they use the very latest version.

Downloads are available from: <http://www.drapertools.com/manuals>

DRAPER TOOLS LIMITED
HURSLEY ROAD
CHANDLER'S FORD
EASTLEIGH
HAMPSHIRE
SO53 1YF
UK

WEBSITE: drapertools.com
PRODUCT HELP LINE: +44 (0) 23 8049 4344
GENERAL FAX: +44 (0) 23 8026 0784

1.3 UNDERSTANDING THIS MANUALS SAFETY CONTENT:

WARNING! Information that draws attention to the risk of injury or death.

CAUTION! Information that draws attention to the risk of damage to the product or surroundings.

1.4 COPYRIGHT © NOTICE:

Copyright © Draper Tools Limited.

Permission is granted to reproduce this publication for personal & educational use only.

Commercial copying, redistribution, hiring or lending is prohibited.

No part of this publication may be stored in a retrieval system or transmitted in any other form or means without written permission from Draper Tools Limited.

In all cases this copyright notice must remain intact.

2. CONTENTS

2.1 CONTENTS

	PAGE CONTENT	PAGE
1	TITLE PAGE	
	1.1 INTRODUCTION	2
	1.2 REVISION HISTORY	2
	1.3 UNDERSTANDING THIS MANUAL	2
	1.4 COPYRIGHT NOTICE	2
2	CONTENTS	
	2.1 CONTENTS	3
3	GUARANTEE	
	3.1 GUARANTEE	4
4	INTRODUCTION	
	4.1 SCOPE	5
	4.2 SPECIFICATION	5
	4.3 HANDLING & STORAGE	5
5.	HEALTH & SAFETY INFORMATION	
	5.1 GENERAL SAFETY INSTRUCTIONS	6
	5.2 TRANSFORMERS/BATTERY CHARGERS	7
	5.3 BATTERY	7
	5.4 LITHIUM-ION MATERIAL DATA SHEET	7
	5.5 FIRST AID RECOMMENDATIONS	7
	5.6 CONNECTION TO THE POWER SUPPLY (TRANSFORMER)	7
6.	TECHNICAL DESCRIPTION	
	6.1 IDENTIFICATION	8
7.	UNPACKING & CHECKING	
	7.1 PACKAGING	9
	7.2 WHAT'S IN THE BOX?	9
8.	BASIC CORDLESS SCREWDRIVER OPERATIONS	
	8.1 BATTERY CHARGING	10
	8.2 FORWARD AND REVERSE TRIGGER SWITCH	11
	8.3 INSTALLING BITS	11
	8.4 ADJUSTING THE HANDLE POSITION	11
9.	MAINTENANCE	12
10.	EXPLANATION OF SYMBOLS	
	10.1 EXPLANATION OF SYMBOLS	13
11.	DISPOSAL	
	11.1 DISPOSAL	14
	11.2 HEALTH AND SAFETY FOR BATTERIES	14
	11.3 DISPOSAL	14
	DECLARATION OF CONFORMITY	ENCLOSED

3. GUARANTEE

3.1 *GUARANTEE*

Draper tools have been carefully tested and inspected before shipment and are guaranteed to be free from defective materials and workmanship.

Should the tool develop a fault, please return the complete tool to your nearest distributor or contact Draper Tools Limited, Chandler's Ford, Eastleigh, Hampshire, SO53 1YF. England.

Telephone Sales Desk: (023) 8049 4333 or Product Help Line (023) 8049 4344.

A proof of purchase must be provided with the tool.

If upon inspection it is found that the fault occurring is due to defective materials or workmanship, repairs will be carried out free of charge. This guarantee period covering parts/labour is 12 months from the date of purchase except where tools are hired out when the guarantee period is 90 days from the date of purchase. The guarantee is extended to 24 months for parts only. This guarantee does not apply to normal wear and tear, nor does it cover any damage caused by misuse, careless or unsafe handling, alterations, accidents, or repairs attempted or made by any personnel other than the authorised Draper warranty repair agent.

Note: If the tool is found not to be within the terms of warranty, repairs and carriage charges will be quoted and made accordingly.

This guarantee applies in lieu of any other guarantee expressed or implied and variations of its terms are not authorised.

Your Draper guarantee is not effective unless you can produce upon request a dated receipt or invoice to verify your proof of purchase within the guarantee period.

Please note that this guarantee is an additional benefit and does not affect your statutory rights.

Draper Tools Limited.

4. INTRODUCTION

4.1 SCOPE

This cordless screwdriver is ideal for applications such as assembling flat pack furniture. It is intended for domestic use only. Any other application is considered misuse.

4.2 SPECIFICATION

Stock no.	83568
Part no.	CD36LIASF
Integral battery pack:	
Type	Lithium-Ion
Rated voltage	3.6V
Rating	1.3Ah
Transformer:	
Type	Fail-safe Safety Isolating
Rated voltage	230V~
Rated frequency	50Hz
Rated power input	9W
Rated output voltage	5.0V
Rated output current	300mA
Maximum torque	3.5Nm
Revolutions per minute (no load)	180min ⁻¹
Spindle recess	¼" Hex.
Sound pressure level	64.76±3dB(A)
Sound power level	75.76±3dB(A)
Vibration level	1.953±1.5m/s ²
Weight (machine only)	0.75kg

4.3 HANDLING & STORAGE

Although this machine is small in size, care must still be taken when handling and lifting. Dropping this machine will have an effect on the accuracy and may also result in personal injury. This machine is not a toy and must be respected.

The environment will have a negative result on its operation if you are not careful. If the air is damp, components will rust. If the machine is unprotected from dust and debris; components will become clogged: And if not cleaned and maintained correctly or regularly the machine will not perform at its best.

5. HEALTH & SAFETY INFORMATION

5.1 GENERAL SAFETY INSTRUCTIONS

General Power Tools Safety Warnings

⚠️ WARNING: Read all instructions. Failure to follow all instructions listed below may result in electric shock, fire and/or serious injury.

Save all warnings and instructions for future reference.

The term “power tool” in the warnings refers to your mains operated (corded) power tool or battery operated (cordless) power tool.

- 1) **Work area safety**
 - a) **Keep work area clean and well lit.** Cluttered or dark areas invite accidents.
 - b) **Do not operate power tools in explosive atmospheres, such as in the presence of flammable liquids, gases or dust.** Power tools create sparks which may ignite the dust or fumes.
 - c) **Keep children and bystanders away while operating a power tool.** Distractions can cause you to lose control.
- 2) **Electrical Safety**
 - a) **Power tool plugs must match the outlet.** Never modify the plug in any way. Do not use any adapter plugs with earthed (grounded) power tools. Unmodified plugs and matching outlets will reduce risk of electrical shock.
 - b) **Avoid body contact with earthed or grounded surfaces such as pipes, radiators, ranges and refrigerators.** There is an increased risk of electric shock if your body is earthed or grounded.
 - c) **Do not expose power tools to rain or wet conditions.** Water entering a power tool will increase the risk of electric shock.
 - d) **Do not abuse the cord. Never use the cord for carrying, pulling or unplugging the power tool.** Keep cord away from heat, oil, sharp edges or moving parts. Damaged or entangled cords increase the risk of electric shock.
 - e) **When operating a power tool outdoors, use an extension cord suitable for outdoor use.** Use of cord suitable for outdoor use reduces the risk of electric shock.
 - f) **If operating a power tool in a damp location is unavoidable, use a residual current device (RCD) protected supply.** Use of an RCD reduces the risk of electric shock.
- 3) **Personal Safety**
 - a) **Stay alert, watch what you are doing and use common sense when operating a power tool. Do not use a power tool while you are tired or under the influence of drugs, alcohol or medication.** A moment of inattention while operating power tools may result in serious personal injury.
 - b) **Use personal protective equipment. Always wear eye protection.** Protective equipment such as dust mask, nonskid safety shoes, hard hat, or hearing protection used for appropriate conditions will reduce personal injuries.
 - c) **Prevent unintentional starting. Ensure the switch is in the off position before connecting to power source and/or battery pack, picking up or carrying the tool.** Carrying power tools with your finger on the switch or energising power tools that have the switch on invites accidents.
 - d) **Remove any adjusting key or wrench before turning the power tool on.** A wrench or a key left attached to a rotating part of the power tool may result in personal injury.
 - e) **Do not overreach. Keep proper footing and balance at all times.** This enables better control of the power tool in unexpected situations.
 - f) **Dress properly. Do not wear loose clothing or jewellery. Keep your hair, clothing and gloves away from moving parts.** Loose clothes, jewellery or long hair can be caught in moving parts.
 - g) **If devices are provided for the connection of dust extraction and collection facilities, ensure these are connected and properly used.** Use of dust collection can reduce dust related hazards.
- 4) **Power Tool Use And Care**
 - a) **Do not force the power tool. Use the correct power tool for your application.** The correct power tool will do the job better and safer at the rate for which it was designed.
 - b) **Do not use the power tool if the switch does not turn it on and off.** Any power tool that cannot be controlled with the switch is dangerous and must be repaired.
 - c) **Disconnect the plug from the power source and/or the battery pack from the power tool before making any adjustments, changing accessories, or storing power tools.** Such preventive safety measures reduce the risk of starting the power tool accidentally.
 - d) **Store idle power tools out of the reach of children and do not allow persons unfamiliar with the power tool or these instructions to operate the power tool.** Power tools are dangerous in the hands of untrained users.
 - e) **Maintain power tools. Check for misalignment or binding of moving parts, breakage of parts and any other condition that may affect the power tools operation. If damaged, have the power tool repaired before use.** Many accidents are caused by poorly maintained power tools.
 - f) **Keep cutting tools sharp and clean.** Properly maintained cutting tools with sharp cutting edges are less likely to bind and are easier to control.
 - g) **Use the power tool, accessories and tool bits etc., in accordance with these instructions, taking into account the working conditions and the work to be performed.** Use of the power tool for operations different from intended could result in a hazardous situation.
- 5) **Battery tool use and care**
 - a) **Recharge only with the charger specified by the manufacturer.** A charger that is suitable for one type of battery pack may create a risk of fire when used with another battery pack.
 - b) **Use power tools only with specifically designated battery packs.** Use of any other battery packs may create a risk of injury and fire.
 - c) **When battery pack is not in use, keep it away from other metal objects, like paper clips, coins, keys, nails, screws or other small metal objects, that can make a connection from one terminal to another.** Shorting the battery terminals together may cause burns or a fire.
 - d) **Under abusive conditions, liquid may be ejected from the battery; avoid contact.** If contact accidentally occurs, flush with water. If liquid contacts eyes, additionally seek medical help. Liquid ejected from the battery may cause irritation or burns.
- 6) **Service**
 - a) **Have your power tool serviced by a qualified repair person using only identical replacement parts.** This will ensure that the safety of the power tool is maintained.

5. HEALTH & SAFETY INFORMATION

5.2 TRANSFORMERS/BATTERY CHARGERS

- a. For indoor use only. Do not expose to rain.
- b. If the cord is damaged the transformer shall be scrapped.
- c. If the non-self-resetting protective device is activated due to short circuit or an overload the transformer shall be scrapped.
- d. The fail-safe safety isolating transformer converts by means of electromagnetic induction, alternating voltage (230V) into another system of voltage (3.6V) for the sole purpose of recharging the Draper 3.6V screwdrivers. Any other application is considered misuse.
- e. Before charging, read the instructions.
- f. Disconnect the supply before making or breaking the connections to the battery.
- g. Do not charge non-rechargeable batteries.
- h. This transformer charger is only suitable for charging rechargeable lithium-ion batteries having one cell (3.6V). Any other application is considered misuse.

5.3 BATTERY

- a. The battery must be removed from the appliance before it is scrapped.
- b. The appliance must be disconnected from the supply mains when removing the battery.
- c. The battery is to be disposed of safely.
- d. Do not use non-rechargeable batteries.
- e. Do not crush, open or burn the battery. Exposure to potentially harmful materials may occur.
- f. In case of fire use CO₂/dry chemical extinguisher.
- g. Do not expose to high temperatures $\geq 50^{\circ}\text{C}$. Cells may degrade at high temperatures.
- h. The battery must be charged by a constant current, constant voltage transformer.
- i. Charge battery regularly in conditions between 5°C to 45°C with the specified charger designed for this battery.
- j. Store in a dry, well ventilated area within the recommended limits of 5° to 30°C .
- k. During decommissioning remove the battery cell for recycling separately to the product, which is covered by the waste electrical and electronic equipment directive. Insulate the terminals with adhesive insulating tape to prevent a short circuit, fire or explosion occurring.

5.4 LITHIUM-ION MATERIAL DATA SHEET

- a. As a substance under normal conditions of use it is not considered a hazard to health. In the event of accidental release, measures to prevent spread must be adhered. Do not contaminate rivers, waterways or drains.
- b. Composition of lithium-manganese, lithium-cobalt and lithium salt as the organic solvent electrolyte (nonaqueous liquid).
- c. Hazardous Decomposition: None during normal operating conditions. If cell is ruptured hydrogen fluoride and carbon monoxide may be released.

5.5 FIRST AID RECOMMENDATIONS

- In case of ingestion: If swallowed, obtain medical attention immediately.
- In case of contact with eyes: Thoroughly flush eyes with clean water for 15 minutes and seek medical attention immediately.
- In case of contact with skin: Wash area with soap and water. If irritation persists, seek medical advice.
- Other: Seek medical advice immediately.

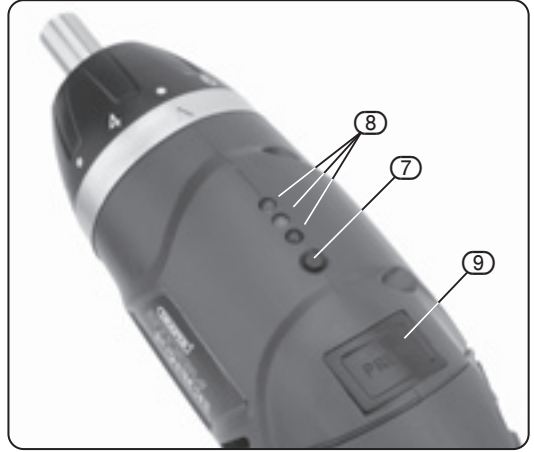
5.6 CONNECTION TO THE POWER SUPPLY (TRANSFORMER)

- Make sure the power supply information on the machine's rating plate are compatible with the power supply you intend to connect it to.
- This screwdriver comes supplied with a UK standard 3 pin transformer. It is designed for connection to a domestic power supply rated at 230V AC.
- It is Class 2 (double insulated); is designed for connection to a power supply matching that detailed on the rating label and compatible with the plug fitted.
- If an extension lead is required, use an approved and compatible lead rated for this appliance. Follow all the instruction supplied with the extension lead.
- This product requires no earth connection as supplementary insulation is applied to the basic insulation to protect against electric shock in the event of failure of the basic insulation.

6. TECHNICAL DESCRIPTION

6.1 IDENTIFICATION

- ① LED work light.
- ② Forward/reverse selector.
- ③ Hand grip.
- ④ Charger connection socket (female).
- ⑤ Trigger switch.
- ⑥ ¼" female hex. drive.
- ⑦ Battery charge level test button.
- ⑧ Battery charge level indicator lights.
- ⑨ Handle release button.
- ⑩ Carry strap.



7. UNPACKING & CHECKING

7.1 PACKAGING

Carefully remove the screwdriver from the packaging and examine it for any sign of damage that may have happened during shipping. Lay the contents out and check them against the parts shown below. If any part is damaged or missing; please contact the Draper Help Line (the telephone number appears on the Title page) and do not attempt to use the product.

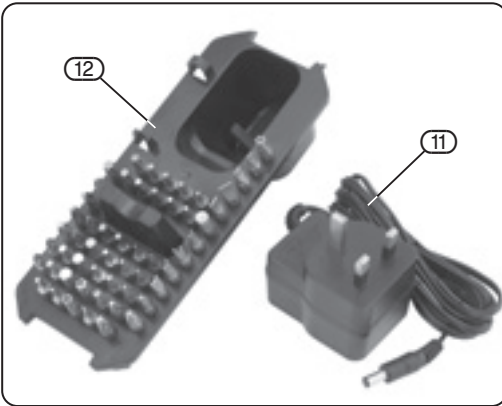
The packaging material should be retained at least during the guarantee period: in case the machine needs to be returned for repair.

Warning! Some of the packaging materials used may be harmful to children. Do not leave any of these materials in the reach of children.

If any of the packaging is to be thrown away, make sure they are disposed of correctly; according to local regulations.

7.2 WHAT'S IN THE BOX?

As well as the screwdriver; there are several parts not fitted or attached to it.



(11) Transformer charger.

(12) Case inlay with storage, containing the following assorted screwdriver bits:

- 5 x 25mm long x 1/4" hexagon drive plain slot screwdriver bits sizes; 3.0, 4.0, 5.0, 6.0, 7.0mm.
- 4 x 25mm long x 1/4" hexagon drive cross slot screwdriver bits sizes; No.0, No.1, No.2, No.3.
- 4 x 25mm long x 1/4" hexagon drive PZ TYPE screwdriver bits sizes; No.0, No.1, No.2, No.3.
- 6 x 25mm long x 1/4" hexagon drive Draper TX-STAR screwdriver bits sizes; T10, T15, T20, T25, T30, T40.
- 7 x 25mm long x 1/4" hexagon drive Draper TX-STAR security bits sizes; T10, T15, T20, T25, T30, T35, T40.
- 7 x 25mm long x 1/4" hexagon drive hex. screwdriver bits sizes; 2.0, 2.5, 3.0, 4.0, 5.0, 5.5, 6.0mm.
- 5 x 25mm long x 1/4" hexagon drive IP screwdriver bits sizes; IP10, IP15, IP20, IP25, IP30.
- 3 x 25mm long x 1/4" hexagon drive torq screwdriver bits sizes; 6.0, 8.0, 10.0mm.
- 4 x 25mm long x 1/4" hexagon drive tri-winged screwdriver bits sizes; No.1, No.2, No.3, No.4.
- 4 x 25mm long x 1/4" hexagon drive square screwdriver bits sizes; S0, S1, S2, S3.
- 4 x 25mm long x 1/4" hexagon drive spanner screwdriver bits sizes; No.4, No.6, No.8, No.10.
- 1 x 25mm long x 1/4" hexagon drive XZN screwdriver bit size; M8.
- 1 x 1/4" hexagon drive x 1/4" hexagon magnetic bit holder.

8. BASIC CORDLESS SCREWDRIVER OPERATIONS

8.1 BATTERY CHARGING – FIGS. 1 – 2

- i Insert the transformer's jack plug (11.1) into the charger connection socket (4).
- ii Plug the transformer (11) into a 230V~13 amp 3 pin socket.

Note: over the course of the full charging cycle (approximately 3–5 hours), the battery charge level indicator lights (8) will progressively illuminate red through to green, indicating low to full charge accordingly.

Before or during use, press the battery level test button (7) to assess the charge level of the screwdriver's battery. The battery charge level LED indicator lights (8) illuminate red (battery urgently requires re-charging), through red/amber (medium charge), to green (fully charged).

Lithium-ion cells prefer small charges often.

Lithium-ion technology is lightweight and compact due to increased capacity in comparison to other battery chemistries.

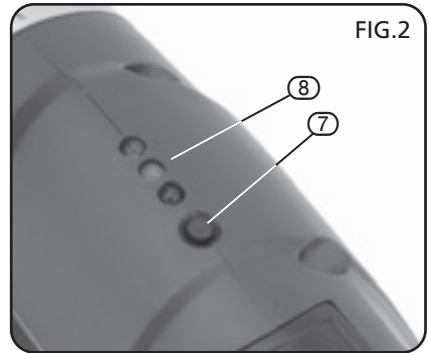
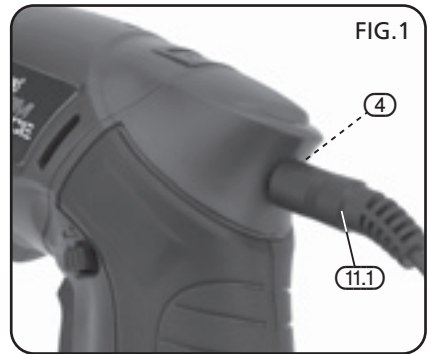
Lithium-ion cells have no 'memory effect' and a long life cycle with outstanding discharge performance.

Lithium-ion cells suffer from a loss in capacity or thermal runaway if over charged and will degrade if allowed to enter deep discharge, however all of these situations are negated due to the complex circuitry incorporated within this product.

Charging must be carried out in an environment with an ambient air temperature between 5°C to 45°C with the transformer supplied.

To prevent overheating, do not cover the transformer.

Attention: If the cable is damaged or the non-self-resetting protective device is activated due to short circuit/overload the transformer shall be scrapped. A replacement of identical specification, design and application shall be obtained.



8. BASIC CORDLESS SCREWDRIVER OPERATIONS

8.2 FORWARD AND REVERSE TRIGGER SWITCH – FIG. 3

To activate the screwdriver, press trigger (5).
To change direction of rotation of the bit holder, i.e. clockwise or anticlockwise.

- i Stop the screwdriver and push switch (2). When the direction switch is pushed to the left, the bit holder will rotate clockwise.

When the switch is pushed to the right, the bit holder will rotate anticlockwise. Before operation, check that the switch is set in the required position. Do not change the direction of rotation until the bit holder comes to a complete stop.

- ii When the screwdriver is not in use move the direction switch to the neutral position (the middle setting) to lock the trigger out.

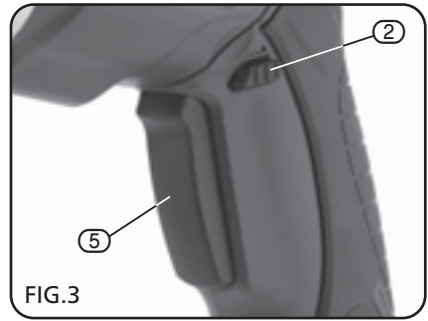


FIG.3

8.3 INSTALLING BITS – FIG. 4

Insert the appropriate bit, suitable for the intended application, into the female hex. bit holder (6).

Note: Will accept 6.35mm (1/4") hex. bits only.

To prevent slip or damage to the screw head, match the screwdriver bit to the head size and pattern.

Screwdriver bits are a consumable item.

Replace a worn screwdriver bit to avoid damaging the screw head or slipping out when driving.

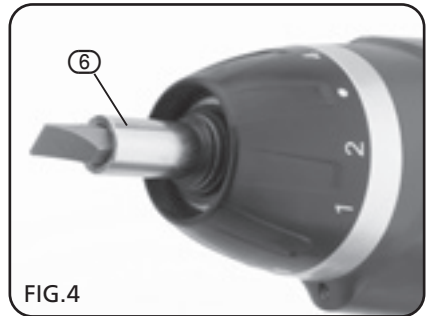


FIG.4

8.4 ADJUSTING THE HANDLE POSITION – FIG. 5

In addition to the general pistol grip function, the screwdriver also incorporates a twist grip facility that doubles its use as a general in line screwdriver, useful for screwdriving in areas with awkward access.

- To change the handle position, press the handle release button (9) and twist the handle (3) through 180° until it clicks into position.

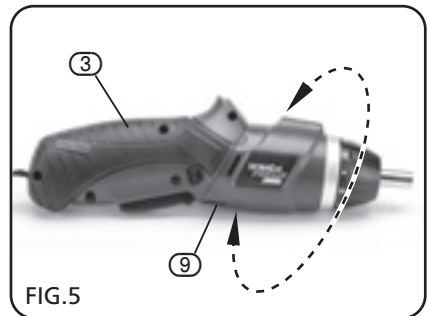


FIG.5

9. MAINTENANCE

There are no replacement or maintainable parts to this product.

10. EXPLANATION OF SYMBOLS

10.1 EXPLANATION OF SYMBOLS



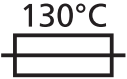
WEEE
Do not dispose of Waste Electrical
& Electronic Equipment in with
domestic rubbish



Class II construction
(Double insulated).



For indoor use only.
Do not expose to rain.



Non-Self-Resetting protective device.



Fail-safe safety isolating transformer.



Polarity indication.

11. DISPOSAL

11.1 DISPOSAL

At the end of the machine's working life, or when it can no longer be repaired, ensure that it is disposed of according to national regulations.

Contact your local authority for details of collection schemes in your area.

In all circumstances:

- Do not dispose of power tools with domestic waste.
- Do not incinerate.
- Do not abandon in the environment.
- Do not dispose of WEEE* as unsorted municipal waste.



11.2 HEALTH AND SAFETY FOR BATTERIES

General: Do not put in fire or mutilate – cells may burst or release toxic materials.

Do not short circuit cells, may cause burns.

The battery must be removed from the appliance before it is scrapped.

The battery is to be disposed of safely.

11.3 DISPOSAL

Do not mutilate batteries, corrosive electrolyte will be released.

Do not incinerate – danger of explosion and release of toxic fumes.

Do not dispose of batteries or cells in a charged condition.

Expired lithium-ion batteries must be recycled/disposed of in accordance with the appropriate regulation or legislation. They should be returned to your local warranty agent/stockist.

* Waste Electrical & Electronic Equipment.

- **DRAPER TOOLS LIMITED,**
Hursley Road, Chandler's Ford,
Eastleigh, Hampshire. SO53 1YF. U.K.
- **Help Line:** (023) 8049 4344
- **Sales Desk:** (023) 8049 4333
- **General Enquiries:** (023) 8026 6355
- **Service/Warranty Repair Agent**
For aftersales servicing or warranty repairs, please
contact the Draper Tools Help Line for details of an
agent in your local area.

YOUR DRAPER STOCKIST

RDCH0416

